

Scan 68 Series



Congratulations on your new Scan wood-burning stove

You have purchased a product by one of Europe's leading manufacturer's of wood-burning stoves, and we are sure that you will have years of pleasure with your purchase. To make the best possible use of your stove, it is important that you follow our advice and instructions.

Please read this Assembly- and instructions manual before you start to assemble your stove.

Product registration number

Please indicate the product registration number at any enquiry

Table of contents

Technical data	3
Installation	
Safety	
Technical data and dimensions	
Dimension sketch	
Product registration number	
Type plate	
Assembly	10
Additional accessories	
Service box	
Loose parts	
Remove packaging	
Removal of the self-closing door spring	
Mounting of the base/wall fitting	
Load bearing foundation	
Floor plate	
Positioning your wood-burning stove	
Distance to furniture	
Distance to flammable materials, shown with un-insulated flue pipe	
Distance to flammable materials, shown with insulated flue pipe	
Distance to firewall	
Height adjustment of stove	
Existing chimney and pre-fabricated element chimney	
Connection between stove and steel chimney	
Requirements for chimney	
Connection with 90° elbow pipe	
Connecting piece / top outlet	
Connecting piece / rear outlet	
Fresh air intake	
Closed combustion system	
Fitting the natural stones/	
Accessories	27
High Top	
Heat accumulating stones	
Instruction for use	31
CB technique	
Primary air	
Secondary air	
Baffle plates	
Ash drawer	
High Top	
Instructions for heating	32
Lighting	
Handling fuel	
Maintenance	34
Burn chamber	
Troubleshooting	38
Important - Mounting the UK screw.....	39

Installation

The house owner is responsible for ensuring that all necessary national and local safety measures are observed during installation and fitting and also responsible for observing the fitting and operating instructions detailed in this manual.

When you install any kind of fireplace or stove, you must inform the local authorities. You are also responsible for calling in a chimney sweep to inspect and authorize the installation.

To ensure best-possible functionality and safety for your installation, we advise you to call a professional fitter. Our Scan Dealer will be able to recommend a qualified fitter in your area. For information on Scan Dealers, please go to <http://scan.dk>.

Safety

Any changes made to the product by the dealer, installer or user could result in the product and safety functions not functioning as intended. The same applies to the fitting of accessories or extra equipment not supplied by Scan A/S. This could also be the case if parts that are necessary for the operation and safety of the stove are dismantled or removed.

Scan 68 Series

Please note. It is possible to choose high top, natural stones, accumul. stones and facedoor for selected models.

Without side windows

Model No.	Model	Aluminium		Natural stones	Options		
		Alu	Black		High top	Heat-storage stones	Face door
68-1	Wall		✓				
68-2	Wall	✓					
68-3	Pedestal		✓				
68-4	Pedestal	✓					
68-5	Portal		✓				✓
68-6	Portal	✓					✓
68-13	Simple Portal		✓		✓	✓	
68-14	Simple Portal	✓			✓	✓	
68-15	Simple Portal <small>Natural stones</small>		✓	✓	✓	✓	
68-16	Simple Portal <small>Natural stones</small>	✓		✓	✓	✓	

With side windows

68-7	Wall		✓				
68-8	Wall	✓					
68-9	Pedestal		✓				
68-10	Pedestal	✓					
68-11	Portal		✓				✓
68-12	Portal	✓					✓



Wall



Without lateral glass panes

Pedestal



Portal



Simple Portal



With steel sides

Simple Portal High Top



Simple Portal



Simple Portal High Top



Wall



With lateral glass panes

Pedestal



Portal



Technical data and dimensions

Materials:Steel plate, cast iron, galvanised sheet, vermicolite
 Surface treatment: Senotherm
 Max. wood length: 33 cm
 Weight Scan 68-1/2/7/8 :ca. 98 kg
 Weight Scan 68-3/4/9/10 :ca. 105 kg
 Weight Scan 68-5/6/11/12 :ca. 107 kg
 Weight Scan 68-13/14 :ca. 110 kg
 Weight Scan 68-15/16 :ca. 190 kg
 Connecting piece internal diameter:144 mm
 Connecting piece external diameter:148 mm
 Approval type: Intermittent fuelling

Intermittent fuelling means normal use of a woodstove. In other words, you should let the fire die down until only the embers are left, before refuelling.

The Scan 68 - series was build in compliance with the homologized product type specified in the Assembly- and Instructions Manual provided with the product.

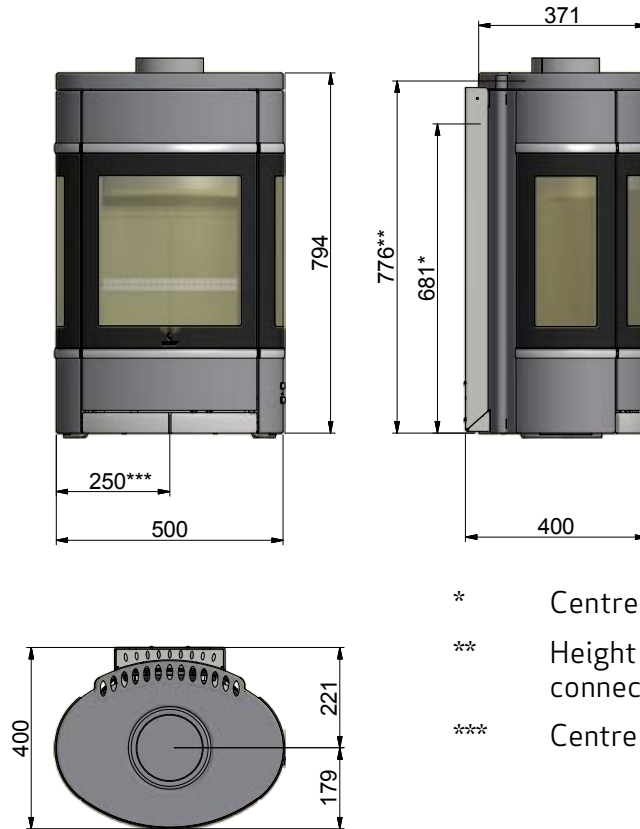
The DoP declaration of performance is available from <http://scan.dk>

Please note:
You get the best use of the stove by using a "top-down lighting", see page 30.

Test in compliance with EN 13240

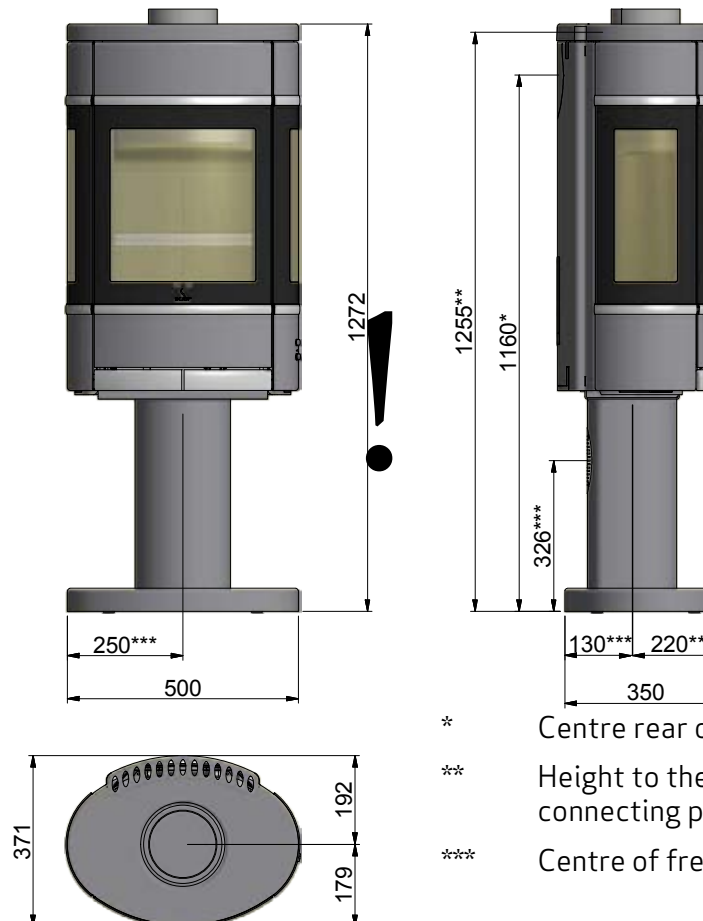
Scan 68	Technical data	Unit
CO Emission at 13% O ₂	0,06	%
CO Emission at 13% O ₂	785	mg/Nm ³
Dust @ 13% O ₂	12	mg/Nm ³
No _x @ 13% O ₂	91	mg/Nm ³
Efficiency	79	%
Nominel output	5	kW
Chimney temperature EN 13240	248	°C
Amount of smoke	5,4	g/sek
Sub-pressure EN 13240	12	Pa
Recommended sub-pressure in connecting piece	17	Pa
Required combustion air supply	16,56	Nm ³ /h
Fuel		Wood
Fuel consumption	1,6	kg/h
Amount of fuel	1,25	kg

Dimension sketch Scan 68-1, Scan 68-2, Scan 68-7 + Scan 68-8



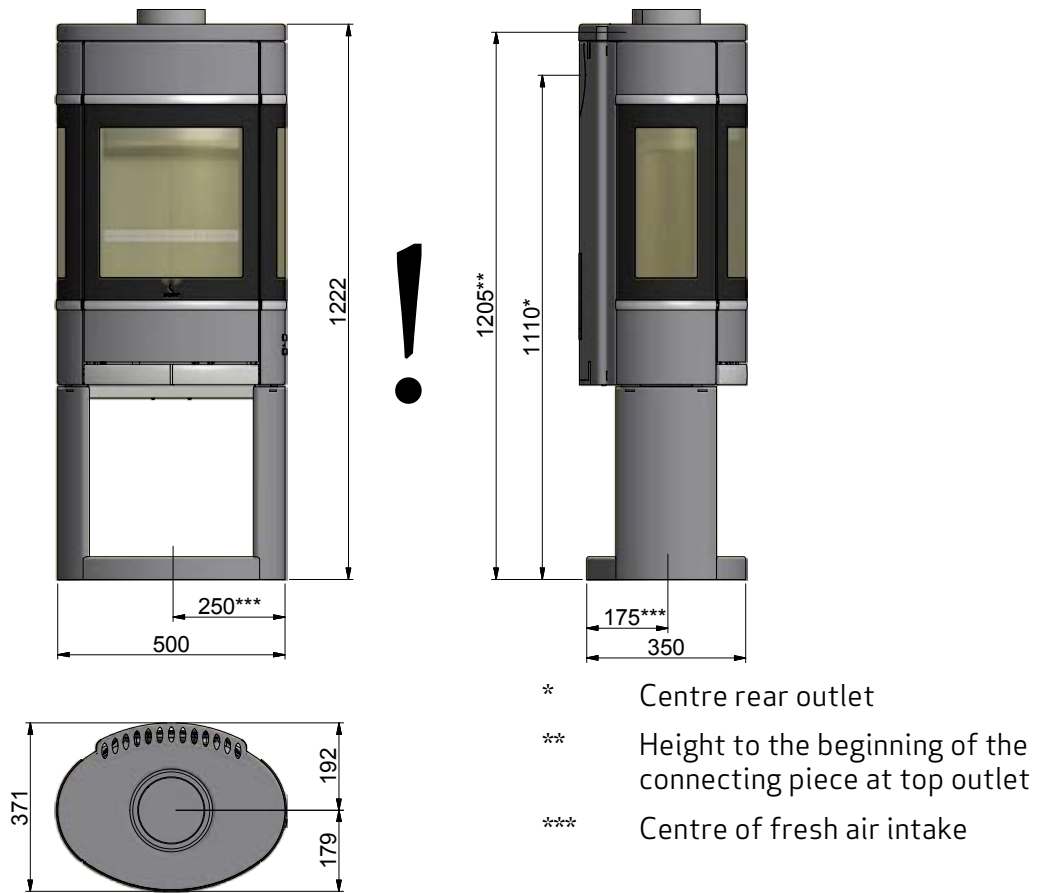
- * Centre rear outlet
- ** Height to the beginning of the connecting piece at top outlet
- *** Centre of fresh air intake bottom

Dimension sketch Scan 68-3, Scan 68-4, Scan 68-9 + Scan 68-10

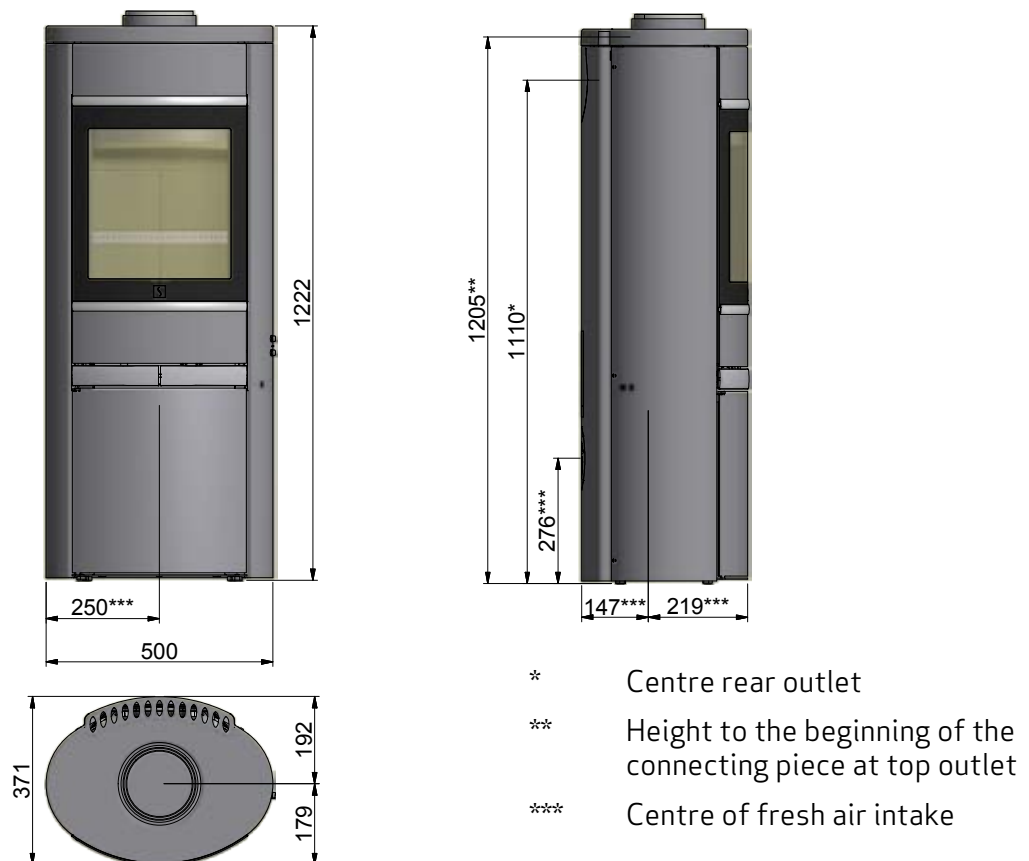


- * Centre rear outlet
- ** Height to the beginning of the connecting piece at top outlet
- *** Centre of fresh air intake bottom

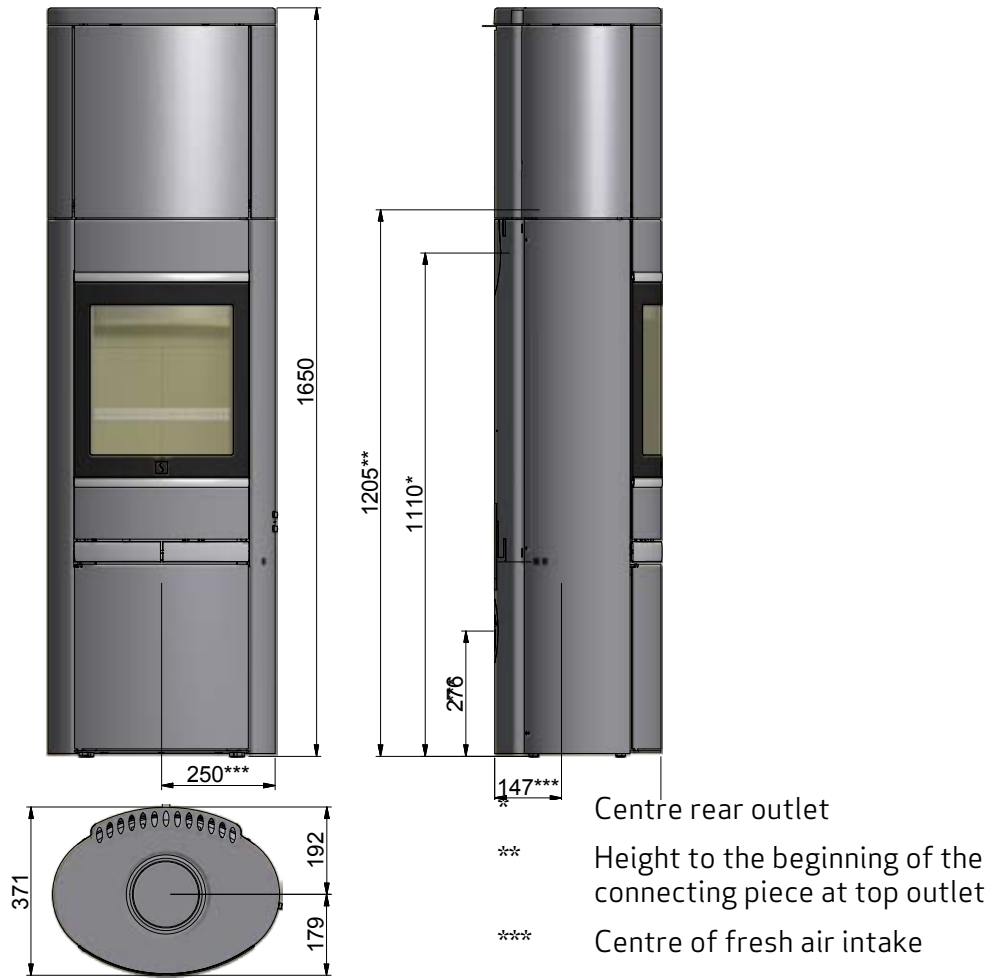
Dimension sketch Scan 68-5, Scan 68-6, Scan 68-11 + Scan 68-12



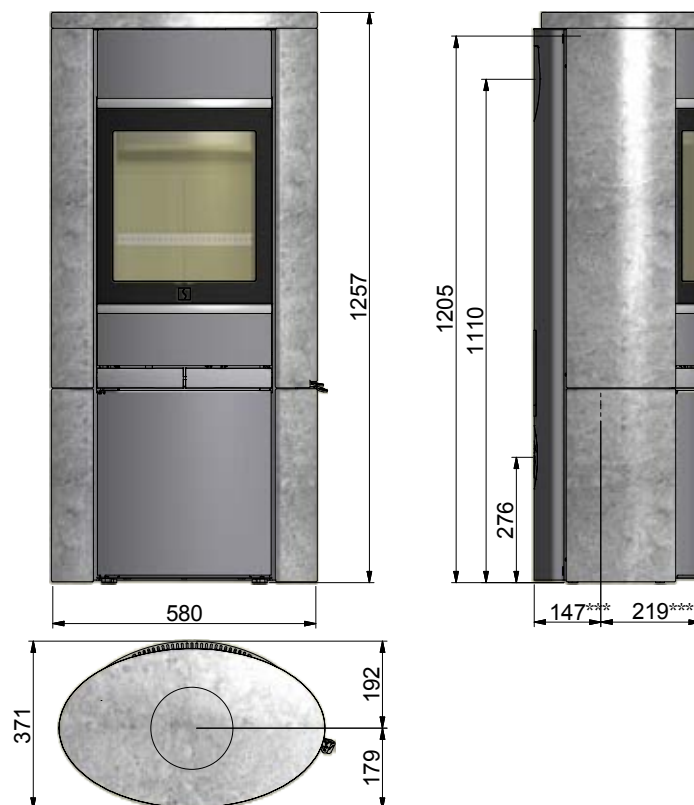
Dimension sketch Scan 68-13 + Scan 68-14



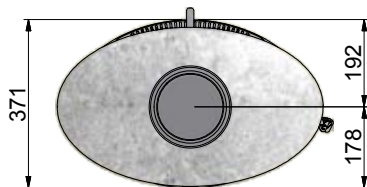
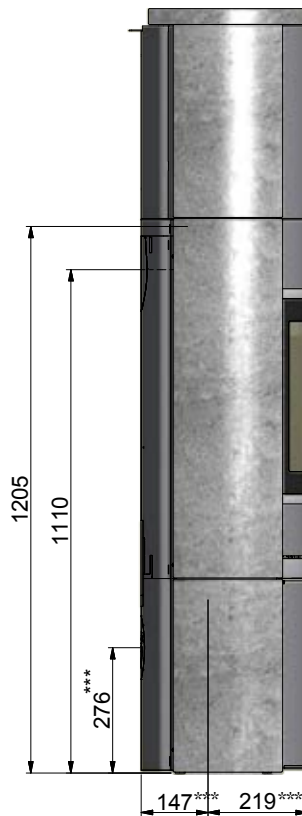
Dimension sketch Scan 68-13 HT + Scan 68-14 HT



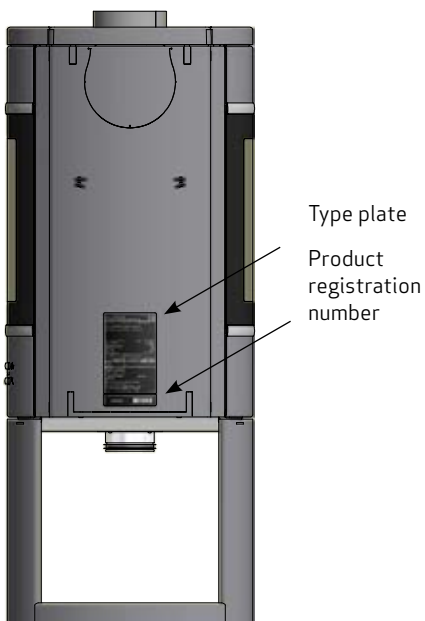
Dimension sketch Scan 68-15 + Scan 68-16



Målskitse Scan 68-15 HT + Scan 68-16 HT



- * Centre rear outlet
- ** Height to the beginning of the connecting piece at top outlet
- *** Centre of fresh air intake



Type plates

All Scan wood-burning stoves are fitted with a type plate, that specifies the approval standards and the distance to flammable materials. The type plate is located at the back of the stove.



Important!

You have to replace the type plate with the one you received with the manual.

Product registration number

All wood-burning stoves are provided with a product registration number. The product registration number is located at the back of the stove.

Please make a note of this number on the front page as you will always have to state it when contacting your dealer or Scan A/S.



Scan 68-1UK and 68-2UK

Wall mounted room heater fired by solid fuel

**Standard: EN 13240 DoP 90068604**

Minimum distance to combustible materials
Do not install on combustible materials
Side: 400 mm - Front: 1100 mm

CO emission at 13% O₂: 0,06% 785 mg/Nm³
Dust at 13% O₂: 12 mg/Nm³
Flue gas temperature: 248°C
Nominal heat output: 5 kW
Efficiency: 79%
Fuel type: Wood
Operation type: Intermittent
The appliance can be operated in a shared flue.

Country	Classification	Certificate/Standard	Approved by
	Intermittent	EN 13240	Teknologisk Institut
UK		300-ELAB-2100-EN-U	Teknologisk Institut

Follow assembly- and instructions manual.
Use only recommended fuels.

1000 Scan A/S DK 5492 Vissenbjerg 10-2014

Scan 68-7UK and 68-8UK

Wall mounted room heater fired by solid fuel

**Standard: EN 13240 DoP 90068605**

Minimum distance to combustible materials
Do not install on combustible materials
Side: 500 mm - Front: 950 mm

CO emission at 13% O₂: 0,06% 785 mg/Nm³
Dust at 13% O₂: 12 mg/Nm³
Flue gas temperature: 248°C
Nominal heat output: 5 kW
Efficiency: 79%
Fuel type: Wood
Operation type: Intermittent
The appliance can be operated in a shared flue.

Country	Classification	Certificate/Standard	Approved by
	Intermittent	EN 13240	Teknologisk Institut
UK		300-ELAB-2100-EN-U	Teknologisk Institut

Follow assembly- and instructions manual.
Use only recommended fuels.

1000 Scan A/S DK 5492 Vissenbjerg 10-2014

Scan 68-3-4-5-6-13-14-15-16UK

Freestanding room heater fired by solid fuel

**Standard: EN 13240 DoP 90068606**

Minimum distance to combustible materials

Side: 400 mm - Back: 150 mm - Front: 1100 mm

CO emission at 13% O₂: 0,06% 785 mg/Nm³
Dust at 13% O₂: 12 mg/Nm³
Flue gas temperature: 248°C
Nominal heat output: 5 kW
Efficiency: 79%
Fuel type: Wood
Operation type: Intermittent
The appliance can be operated in a shared flue.

Country	Classification	Certificate/Standard	Approved by
	Intermittent	EN 13240	Teknologisk Institut
UK		300-ELAB-2100-EN-U	Teknologisk Institut

Follow assembly- and instructions manual.
Use only recommended fuels.

1000 Scan A/S DK 5492 Vissenbjerg 10-2014

Scan 68-9-10-11-12UK

Freestanding room heater fired by solid fuel

**Standard: EN 13240 DoP 90068607**

Minimum distance to combustible materials

Side: 500 mm - Back: 150 mm - Front: 950 mm

CO emission at 13% O₂: 0,06% 785 mg/Nm³
Dust at 13% O₂: 12 mg/Nm³
Flue gas temperature: 248°C
Nominal heat output: 5 kW
Efficiency: 79%
Fuel type: Wood
Operation type: Intermittent
The appliance can be operated in a shared flue.

Country	Classification	Certificate/Standard	Approved by
	Intermittent	EN 13240	Teknologisk Institut
UK		300-ELAB-2100-EN-U	Teknologisk Institut

Follow assembly- and instructions manual.
Use only recommended fuels.

1000 Scan A/S DK 5492 Vissenbjerg 10-2014

Additional accessories

- Small shaped floor plate in glass or steel
- Large shaped floor plate in glass or steel
- Storage door for the Portal unit.
- Connecting piece for inside flue pipe, 6"
- High Top (Scan 68-13/14)
- High Top (Scan 68-15/16)
- Heat accumulating stones for high top
- Wall mounting kit for Scan 68 with high top

Loose parts

- Glove
- Connecting piece 6"
- Seal
- Dekor ring for top outlet
- 1 Pass Screw M5 x 10 mm (GB) - **Please see page 37.**
- 4 Screw M5 x 10 mm

Disposal of packaging

Your Scan stove may come supplied with the following packaging:

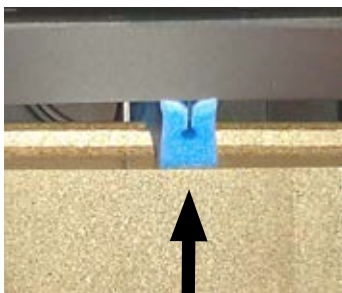
Wood packaging: The wood packaging can be reused and after final use can be incinerated as a CO₂ neutral product or sent for recycling.

Flamingotop: Send for recycling or waste disposal.

Foam: Send for recycling or waste disposal.

Plastic bags: Send for recycling or waste disposal.

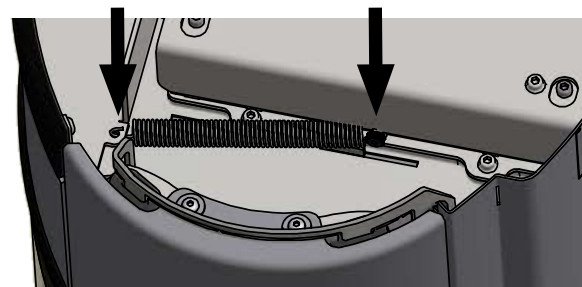
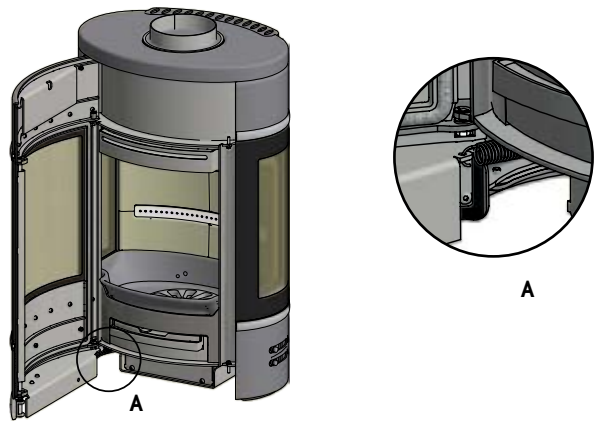
Stretch film/plastic film: Send for recycling or waste disposal.



Please remove protection

Removal of the self-closing door spring

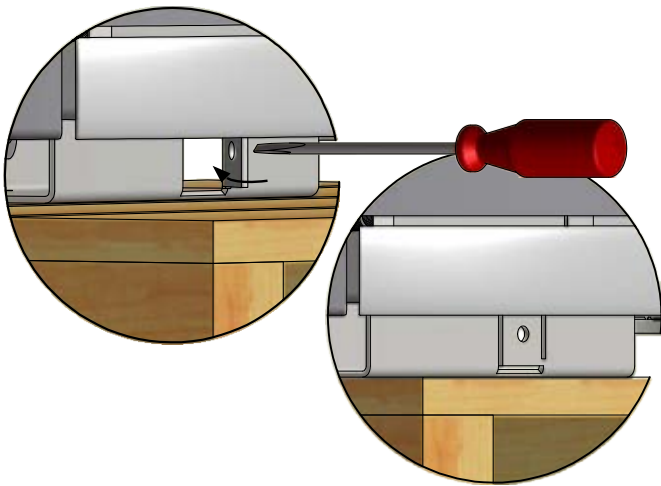
The stove is born with a spring that makes the door close automatically. This spring can easily be removed with a nipper.



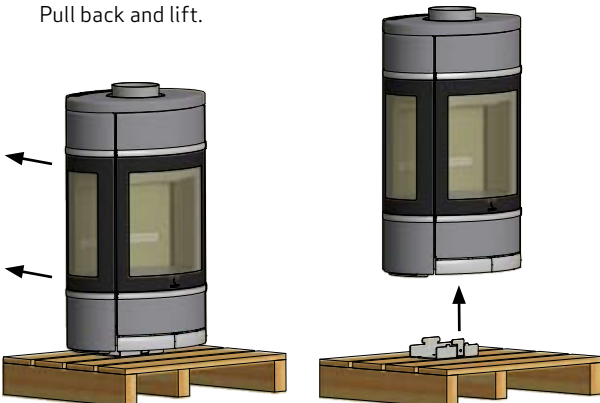
Bottom view

Transport brackets

Check that the stove is not damaged before starting to install it.

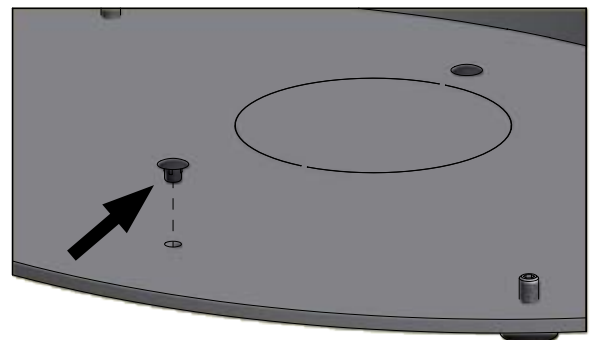
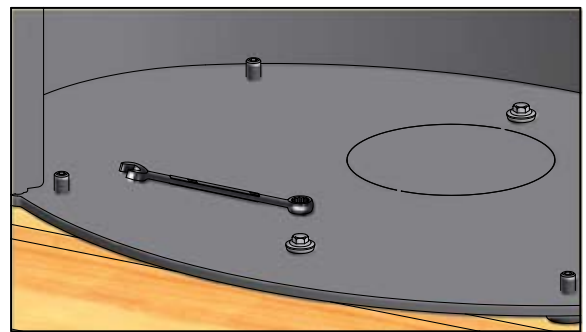


Pull back and lift.



Removal of packaging

Check that the stove is not damaged before starting to install it.
Scan 68-13 and Scan 68-14 comes attached to a wooden pallet on delivery. To remove the packaging, see the illustrations below.



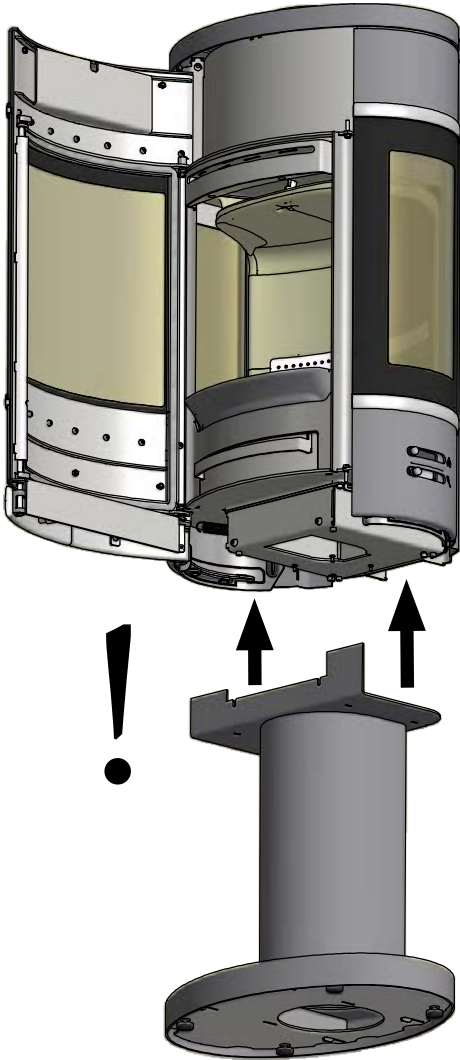
Plaspropper fra servicepakken monteres i transportsikringshullerne.

Mounting of the burn chamber on the base!

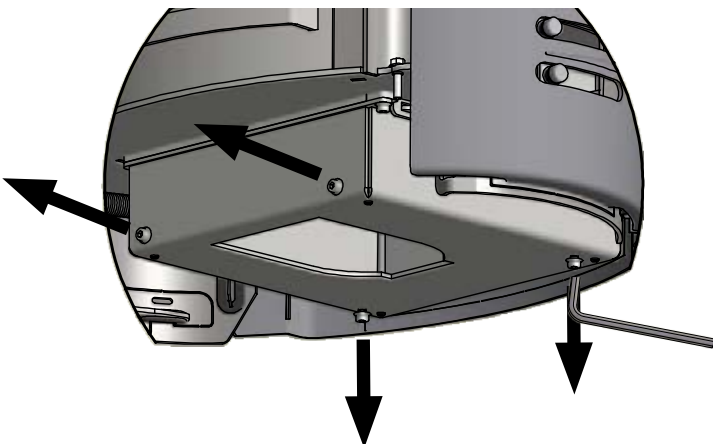
There are two bases and a wall fitting for Scan 68.

Scan 68-9 /Scan 68-10

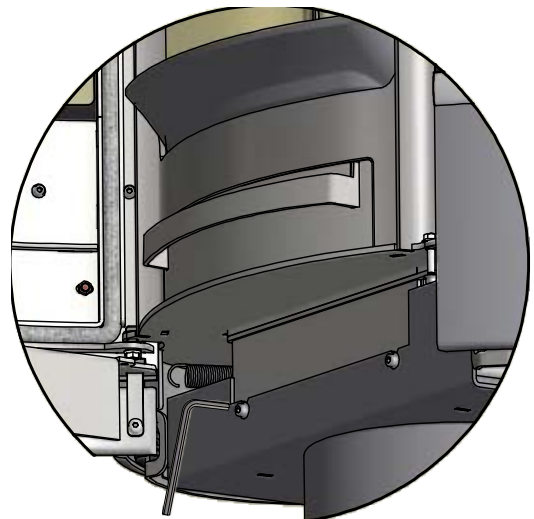
Pedestal



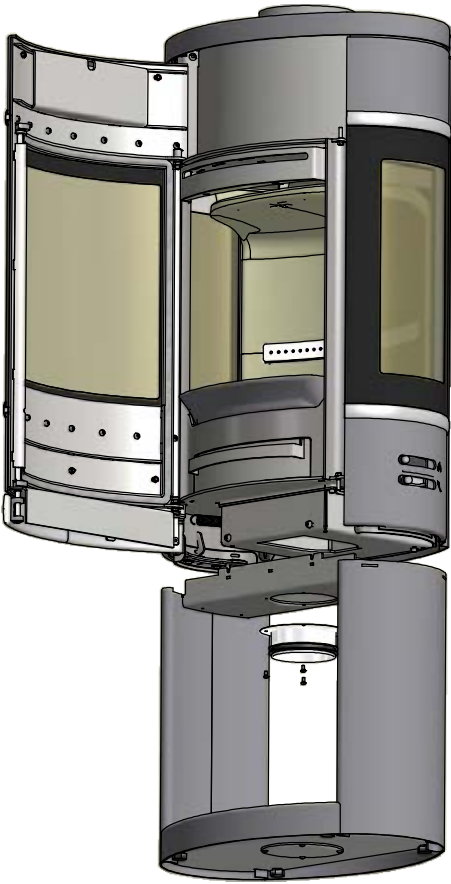
The stove is delivered with the screws mounted. These must be removed before mounting the base.



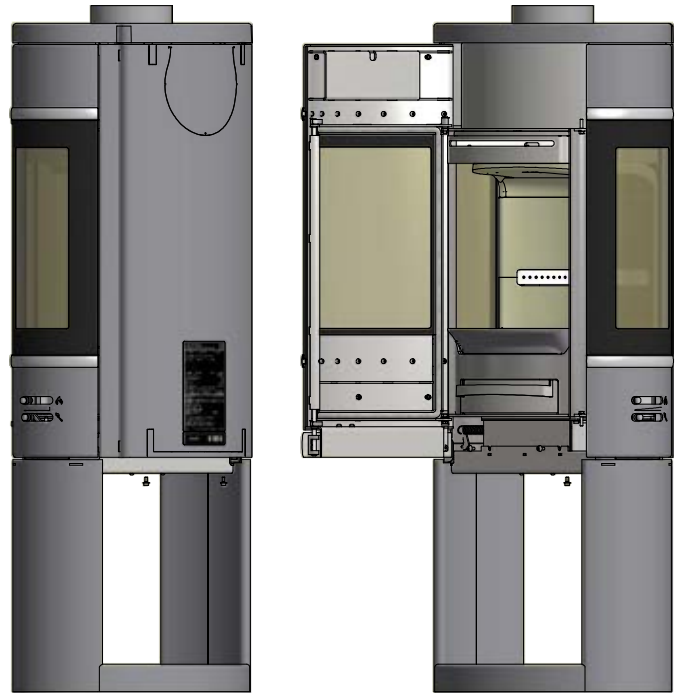
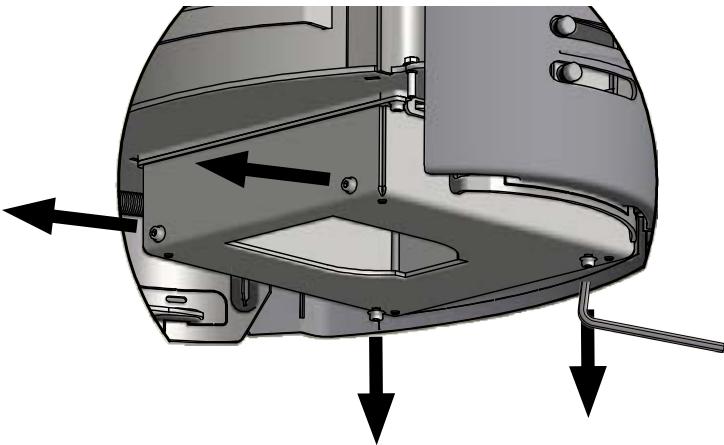
When the stove has been placed on the base, the four screws must be removed.



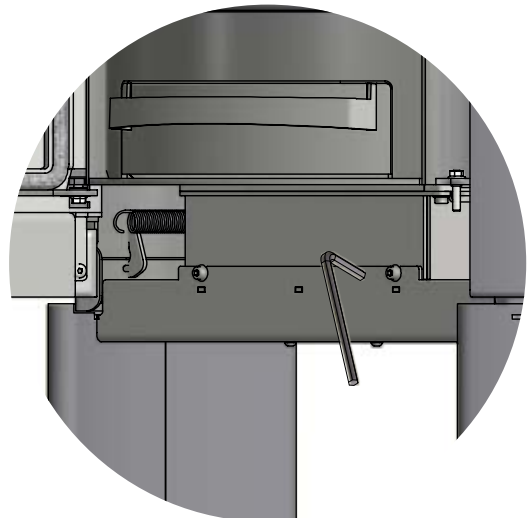
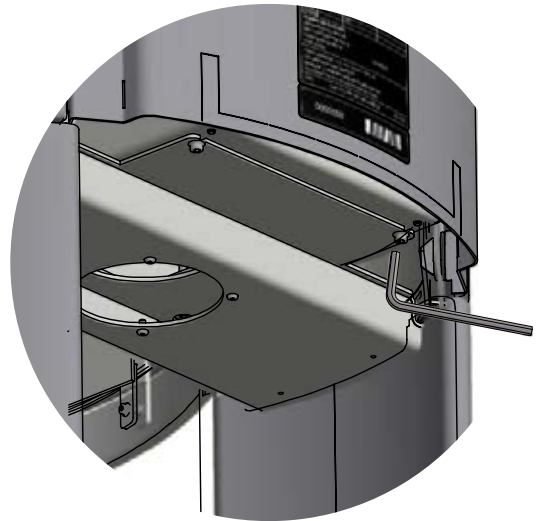
Scan 68-11/Scan 68-12
Portal



The stove is delivered with the screws mounted. These must be removed before mounting the base.



When the stove has been placed on the base, the four screws must be removed.



Scan 68-7 / Scan 68-8

Wall

Wall-hung model

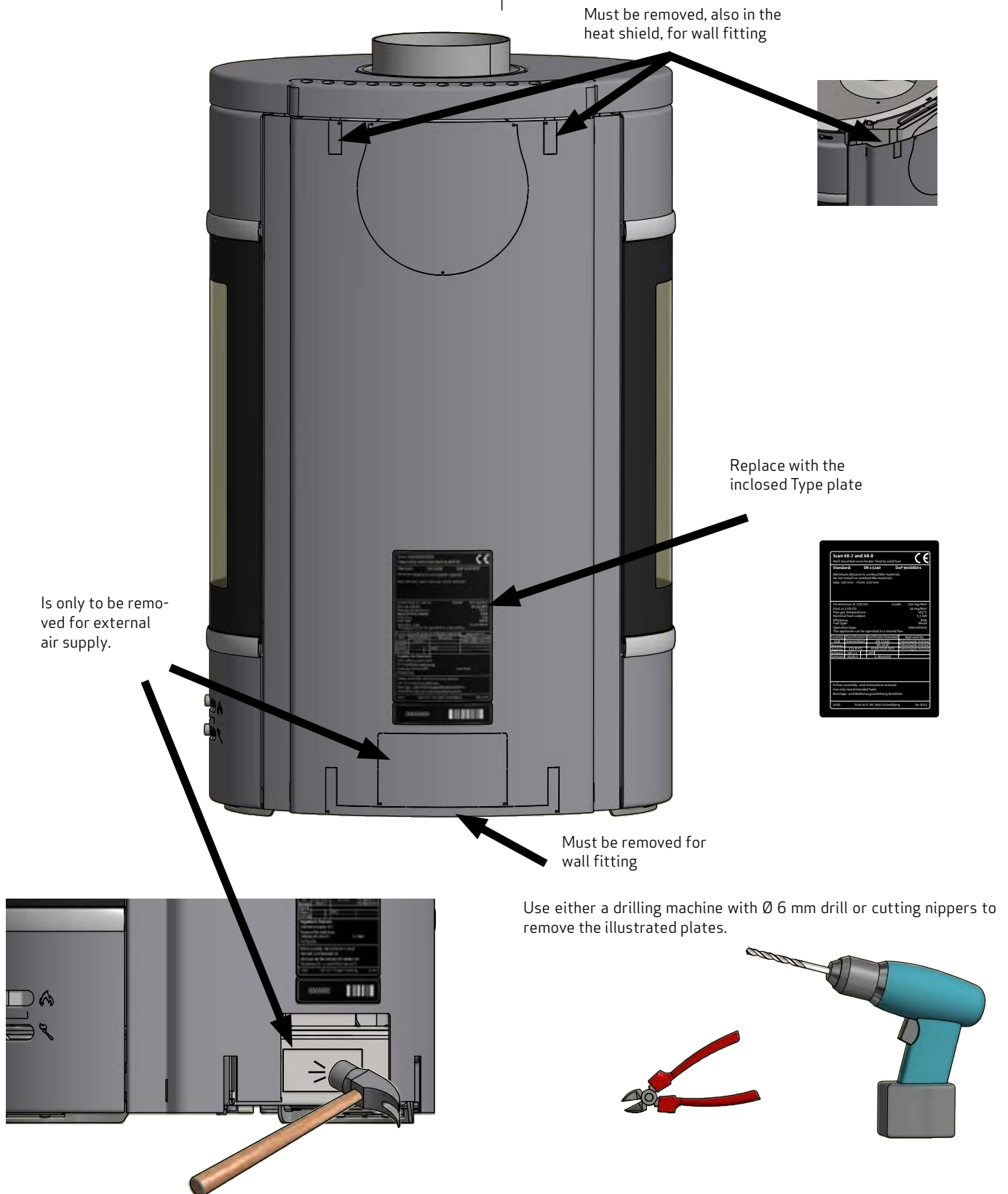
Installation must be planned and executed in accordance with national and local building regulations.

The stove must only be fitted to a non-flammable wall. There must be no form of flammable component in the wall. In the case of thin walls, nor must there be any behind the wall. The load-bearing capacity of the wall must be checked under all circumstances.

To ensure correct installation we recommend that a building expert be commissioned to plan and outline the installation with a view to subsequent approval.

For wall installation we recommend using the wall brackets supplied. If a chimney is installed on top of a wall-hung model, the chimney must be fully self-supporting. It must not rest on the wood-burning stove. There must be a distance of at least 6 mm between the first section and the flange on the flue collar. Please consult a specialist.

Scan A/S disclaims all liability for the installation of wall-hung wood-burning stoves.



Must be removed, also in the heat shield, for wall fitting

Replace with the included Type plate

Is only to be removed for external air supply.

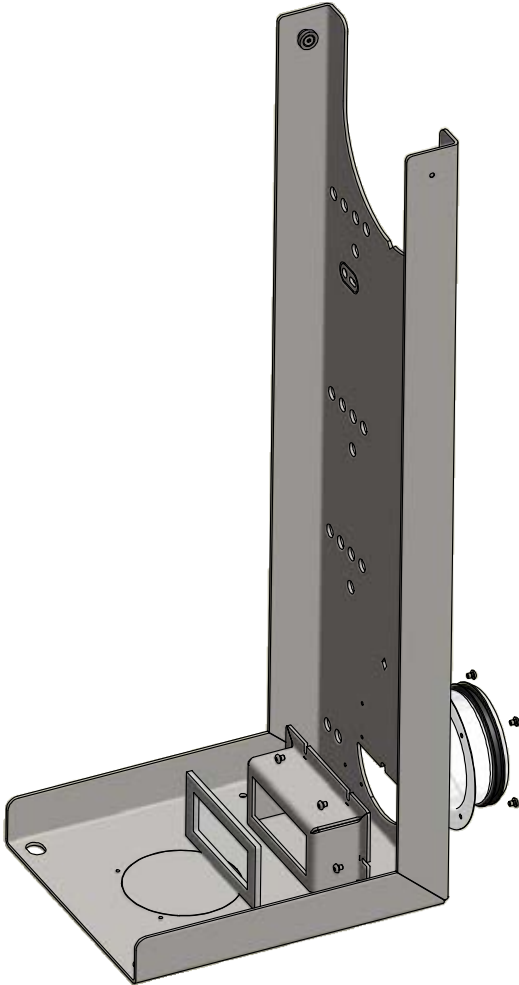
Must be removed for wall fitting

Use either a drilling machine with Ø 6 mm drill or cutting nippers to remove the illustrated plates.

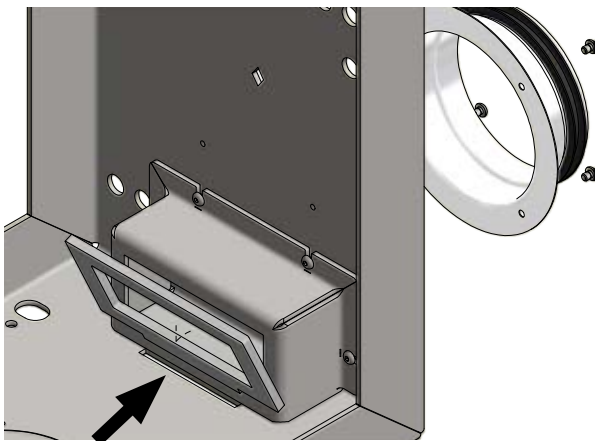
Scan 68-7 and 68-8		Type plate	
Power	10.5 kW	Power	10.5 kW
Efficiency	75.5%	Efficiency	75.5%
Net weight	115 kg	Net weight	115 kg
Height	1000 mm	Height	1000 mm
Width	450 mm	Width	450 mm
Depth	450 mm	Depth	450 mm
Installation	See manual	Installation	See manual
CE mark	Yes	CE mark	Yes

Mounting of external air supply on the wall fitting

If you do not want an external air supply, it is not necessary to mount the duct tube or the connecting piece.



If you do **not** want an external air supply, remove the round plate with cutting nippers in order to ensure an air flow.



Please note that the gasket is to be placed in the slot.



If you want external air supply from the bottom, mount the connecting piece.

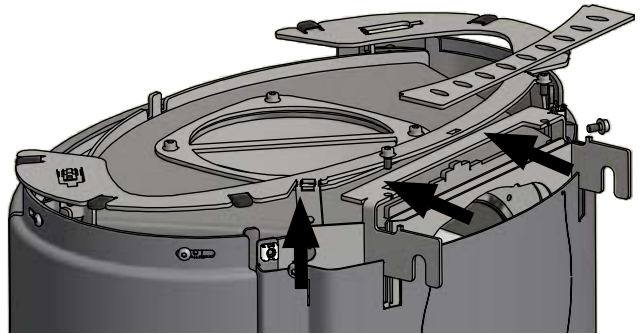


Mounting of the wall fitting on the stove

Remove the top plate.



When the two screws have been removed, you can lift the guide plate and put the fitting underneath.



Fasten the fitting with two screws.

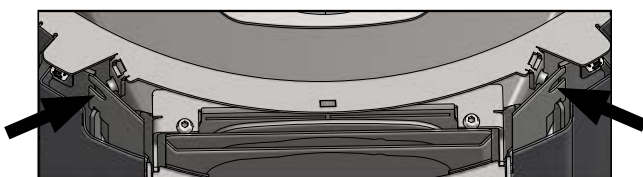
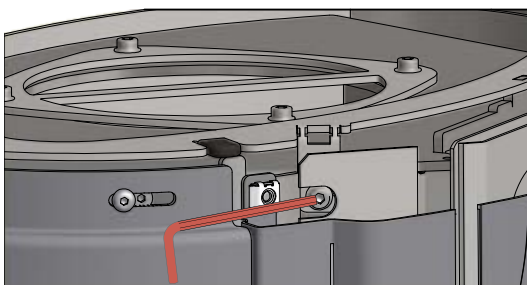
Remount the guide plate with the two screws.



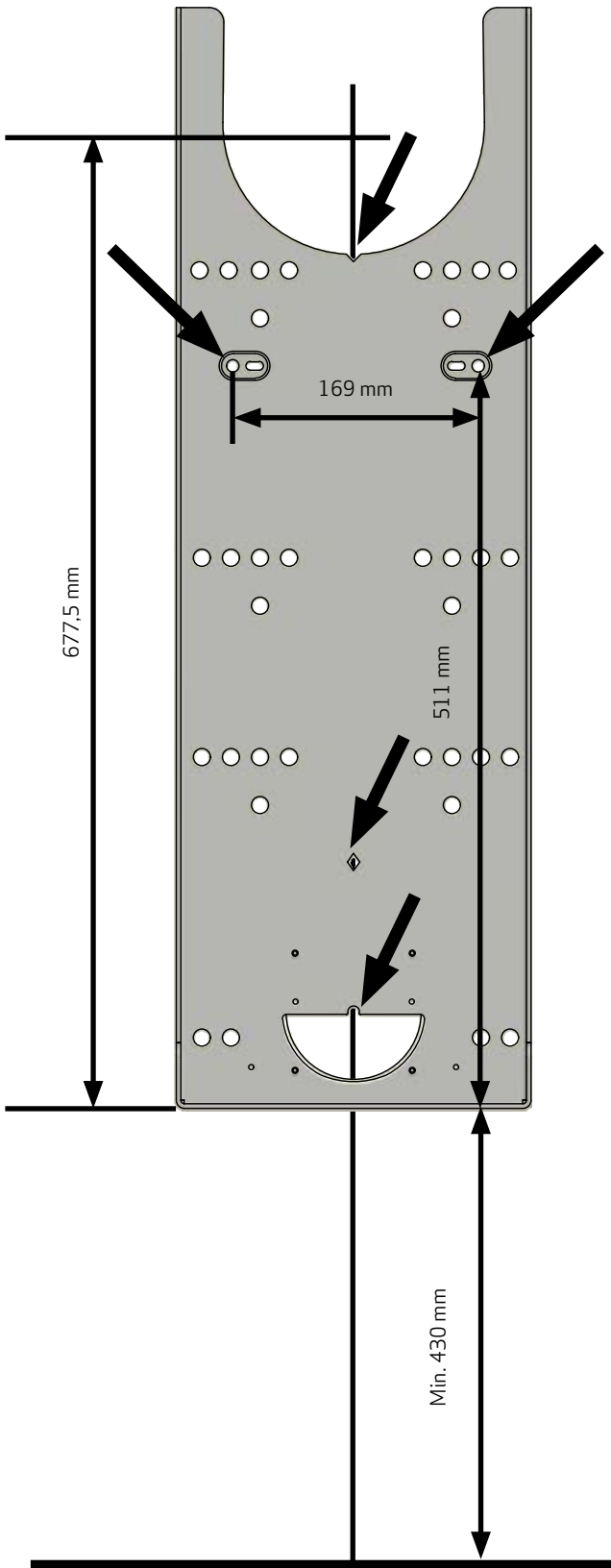
Mount the top plate and the decor grid.



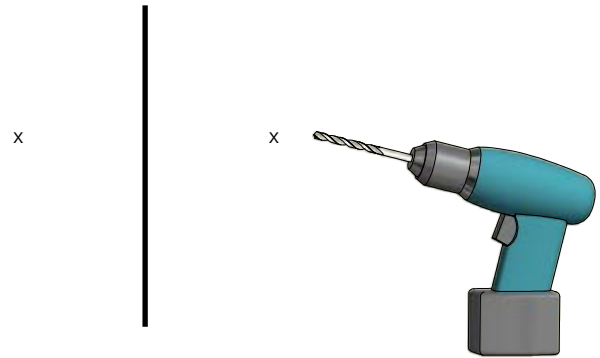
Remove the two screws as shown below



Draw a vertical line on the wall (you can use a spirit level).
Use this line for the mounting of the wall fitting.



Measure from the vertical line and drill the holes.

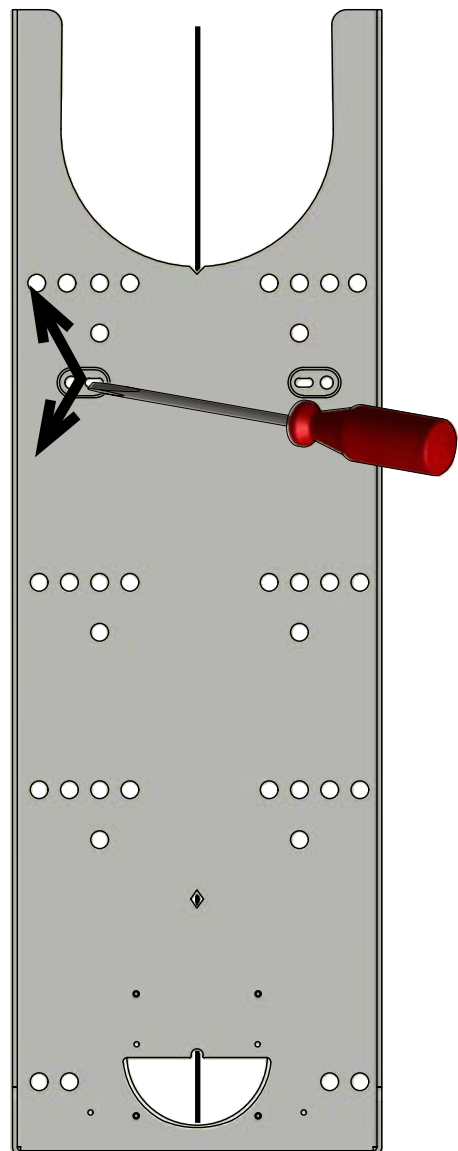


Mount the two guide blocks.



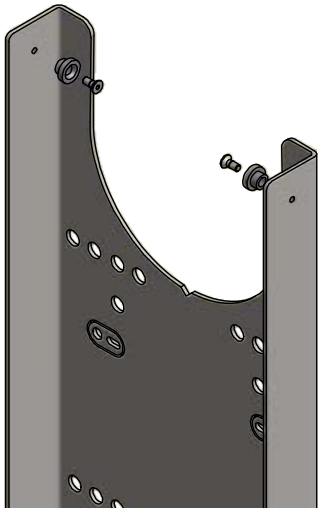
Use the guide blocks to hold the wall fitting while adjusting it.
Use the line or a spirit level.

Drill the necessary holes and mount the screws.



Mount screw and disc.

If you want an external air supply, it should be mounted now.
See page 15.



The two screws under the stove must be removed, before lifting the stove up on the wall fitting.

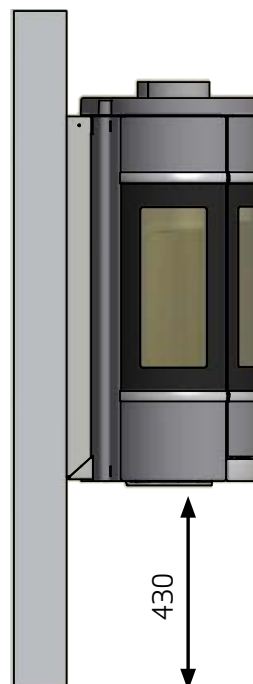


Now the stove is ready to be mounted on the wall fitting.
Hook the stove on the wall fitting..

When the stove is in position, mount the two screws in the bottom and the loose decor grate on the top.



If you want a rear outlet, see page 23



Load bearing underlay

All of the products in our portfolio are classified as light-duty fire-places; in most cases, there is no need to reinforce the floor, so that you can typically use the normal floor.

However, you should make sure that the load bearing underlay can bear the weight of the wood-burning stove and that of the chimney.

Floor plate

If you are setting up the stove on a flammable floor, observe national and local regulations on the size of the non-flammable underlay that covers the floor around the stove.

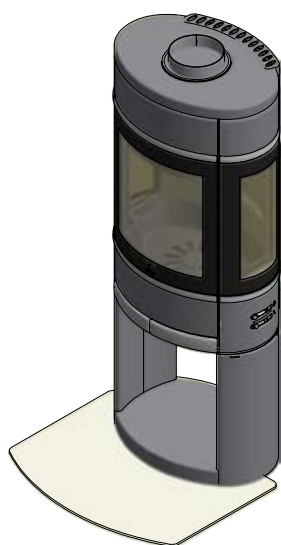
Your local Scan dealer can advise you on regulations concerning flammable materials in the vicinity of your stove.

The idea behind the floor plate is that it protects the floor and flammable material against sparks.

The floor plate can be made of steel or glass, and the stove can be set up on brick, natural stone or similar materials.

This Scan wood-burning stove has an integrated floor plate, and can thus be set up on any flammable material without a protective underlay.

If you are using a shaped floor plate, you should adjust the stove upwards to allow the plate to be inserted under the front of the stove.



Small shaped floor plate in glass or steel.

Large shaped floor plate in glass or steel



Installation:

Positioning your wood-burning stove

The wood-burning stove must be set up so that the stove itself, the flue pipe, and the chimney can all be cleaned.

Distance to furniture:

with lateral glass panes	950 mm
without lateral glass panes	1100 mm

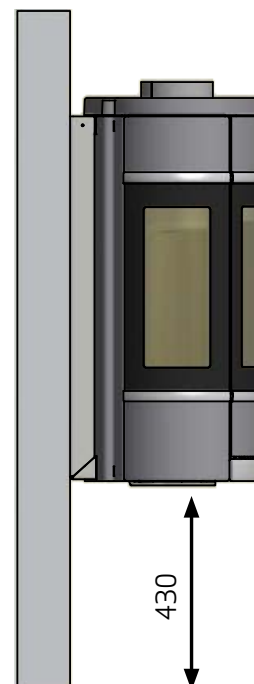
But please check to avoid furniture or other furnishings being dried out due to being too close to the stove.

All national and local requirements concerning safety distances for wood burning stoves must be respected.

If you connect the stove to a steel chimney, the safety distances of the steel chimney must also be respected.

Wall model: Distance from the floor to the stove

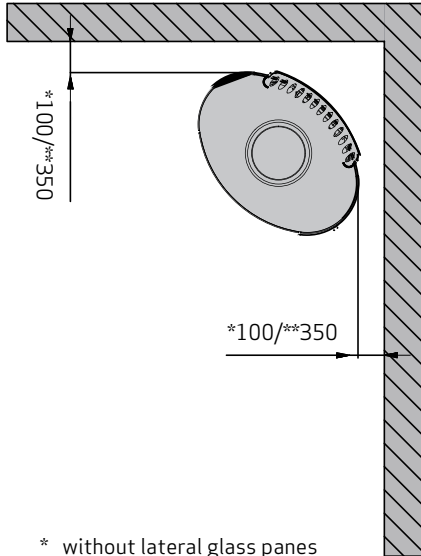
The wall model is only to be mounted on a non-combustible wall.



Distance to flammable materials, shown with un-insulated flue pipe

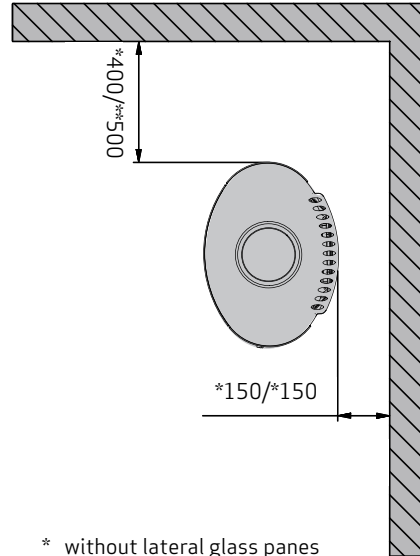
Scan 68

45° Corner installation



- * without lateral glass panes
- ** with lateral glass panes

Parallel rear wall installation



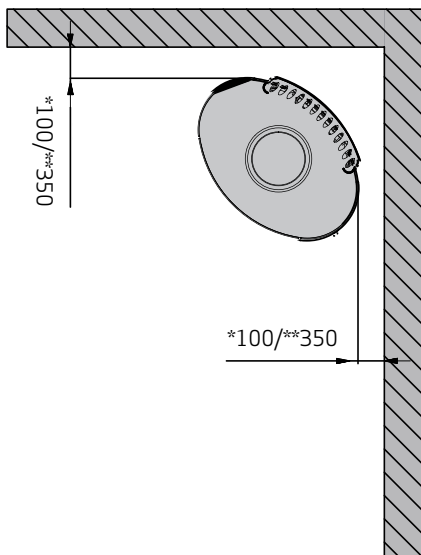
- * without lateral glass panes
- ** with lateral glass panes

Distance to flammable materials, shown with insulated flue pipe

The distances presuppose the use of an insulated flue pipe with min. 30 insulation all the way to the stove.

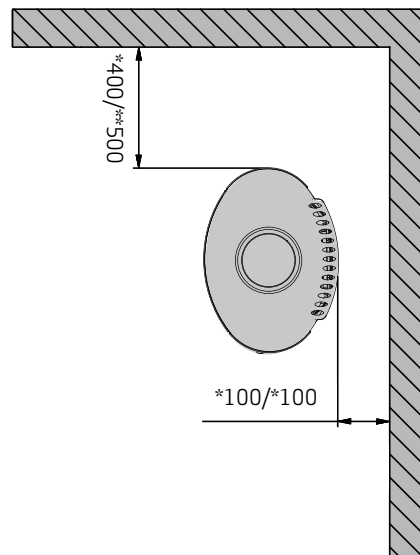
Scan 68

45° Corner installation



- * without lateral glass panes
- ** with lateral glass panes

Parallel rear wall installation



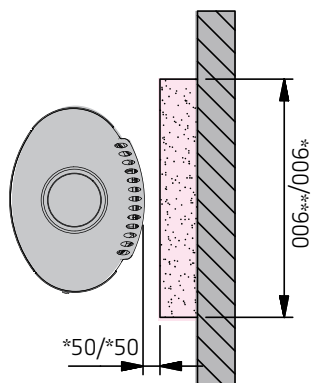
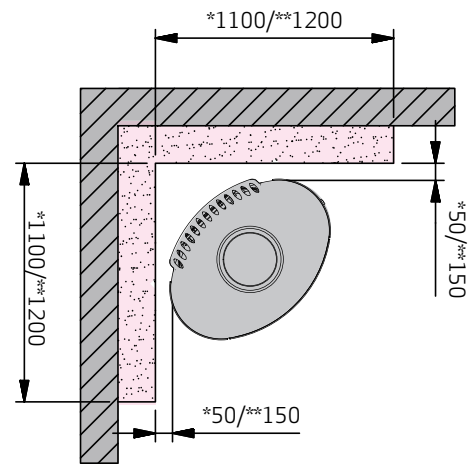
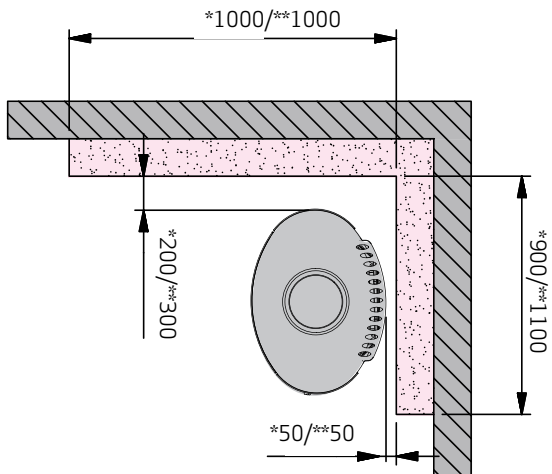
- * without lateral glass panes
- ** with lateral glass panes

Distance to firewall

110 mm brick or other material with a corresponding insulation ability.

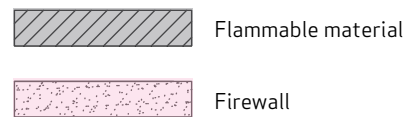
The indicated distances are valid for insulated as well as un-insulated smoke pipes.

Scan 68



* without lateral glass panes

** with lateral glass panes

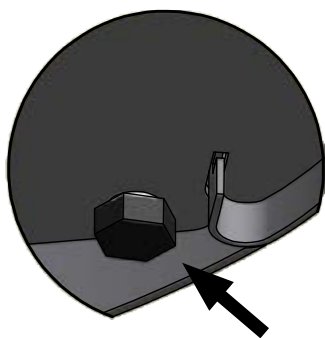


Height adjustment of stove

The Scan 68 has four adjustment screws under the stove. Use the adjustment screws to get the stove to stand straight and level.

Tilt the wood-burning stove and adjust the adjustment screws.

If you are using a shaped floor plate, you should adjust the stove upwards to allow the plate to be inserted under the front of the stove.



Ajstment screw

Existing chimney and pre-fabricated element chimney

If you intend to connect your stove to an existing chimney, it makes sense to contact an authorised Scan dealer, or a local chimney sweep for advice. These experts will also let you know if your flue needs renovating.

When connecting a pre-fabricated element chimney, follow the manufacturer's connection instructions for the relevant chimney type.

Connection between stove and steel chimney

Your Scan dealer, or local chimney sweep, can advise you on choosing a make and type of steel chimney. This ensures that the chimney will match your wood-burning stove. As a general rule, the length of the flue should not be less than 3,5 m measured from the top of the wood-burning stove.

Some weather or installation conditions might require another length.

Choosing the wrong length or diameter of steel chimney could impair functionality.

Always observe the chimney vendor's instructions precisely.

Requirements for chimney

The chimney must be labelled T400 and G for soot testing.

If the stove is installed with elbow pipes or other bends in the chimney, a 6" chimney can be used.

Connection with 90° elbow pipe

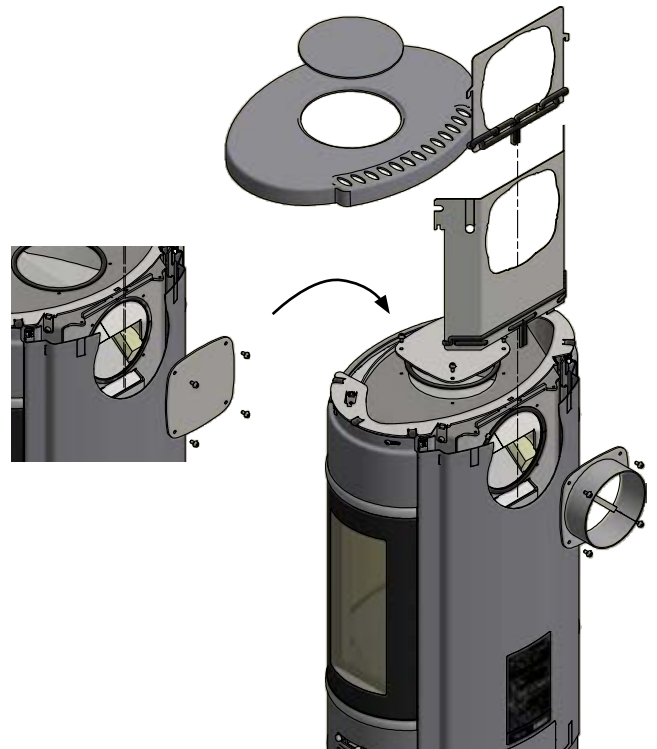
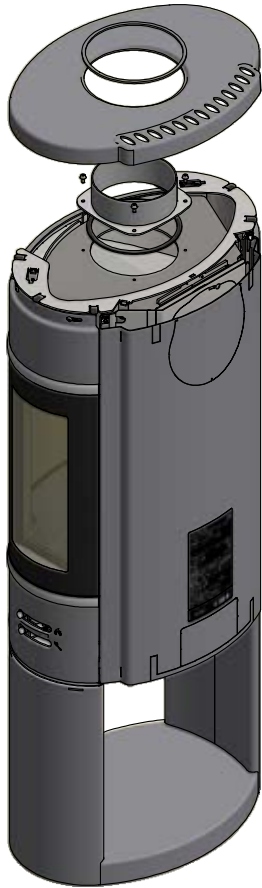
If you intend to use an elbow pipe with the Scan 68 we recommend the use of a curved elbow pipe to improve the draft.

If you are connecting your stove using a sharp elbow bend, the cleanout door should be in the vertical section, such that the horizontal part can be cleaned through it.

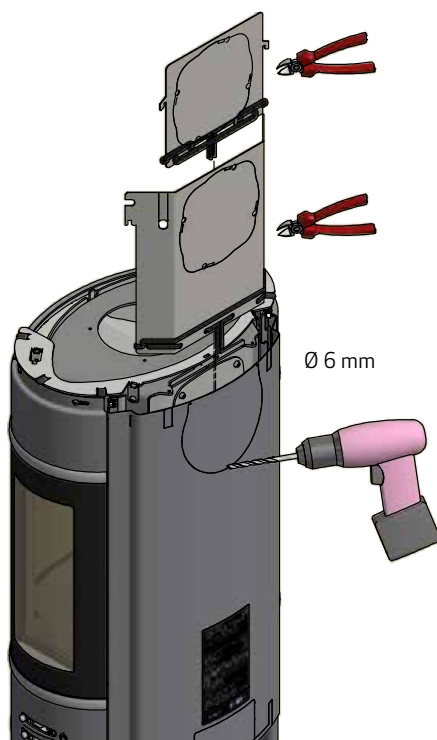


Connecting piece /top outlet

The stove is prepared from the factory for top outlet.



Connecting piece / rear outlet



Fresh air intake

In a well-insulated house, the air used up by the burning process has to be replaced. This particularly applies to houses with mechanical ventilation. There are different ways of making sure that an air exchange takes place. The most important thing is to ensure that there is a supply of air to the room where the wood stove is located. The external wall vent must be located as close to the wood stove as possible, and you must be able to close it when you are not using the wood stove.

National and local building regulations must be followed with regard to the connection of fresh-air intake.

Closed combustion system

You should use the closed combustion system for the wood-burning stove if you live in a newly-built, airtight home. Outside air for combustion is connected through a ventilation pipe via the wall or floor.

It must be possible to shut off the ventilation pipe with a valve, when the stove is not in use.

- Minimum Ø100 mm ventilation pipe, maximum length: 6 m with a maximum of one bend

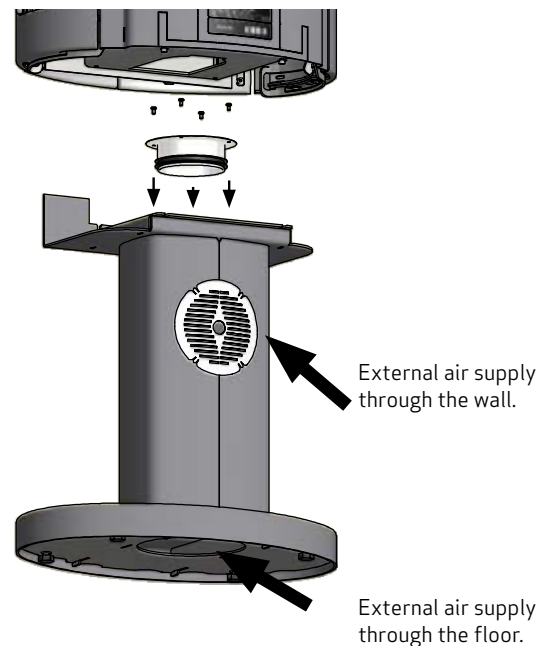
The connecting piece for external combustion air is to be found in the packaging.

If the external combustion air is connected at the rear, the dis-mounted plate must be mounted on the hole for external air in the bottom of the stove.

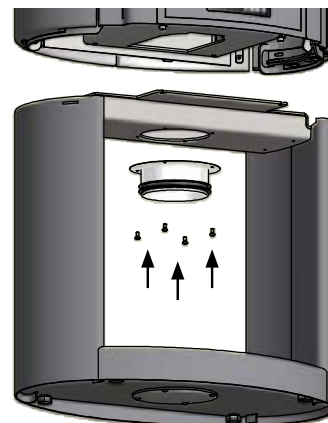
NOTE: if the stove has a fresh air connexion or closed combustion, the ventilation pipe must be open, when the stove is in use!

Scan 68 Pedestal

The external air supply can be connected through the pedestal or the portal by mounting the delivered connecting piece.



Scan 68 Portal



If you want to connect an external air supply from the bottom of the base, remove the blind flange and mount it at the top of the base. Then mount the delivered connecting piece under the base as shown below.



Fitting natural stone

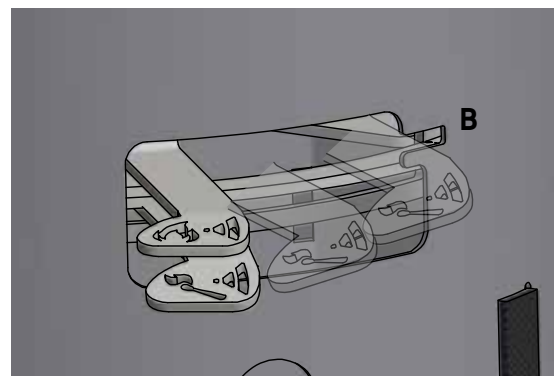
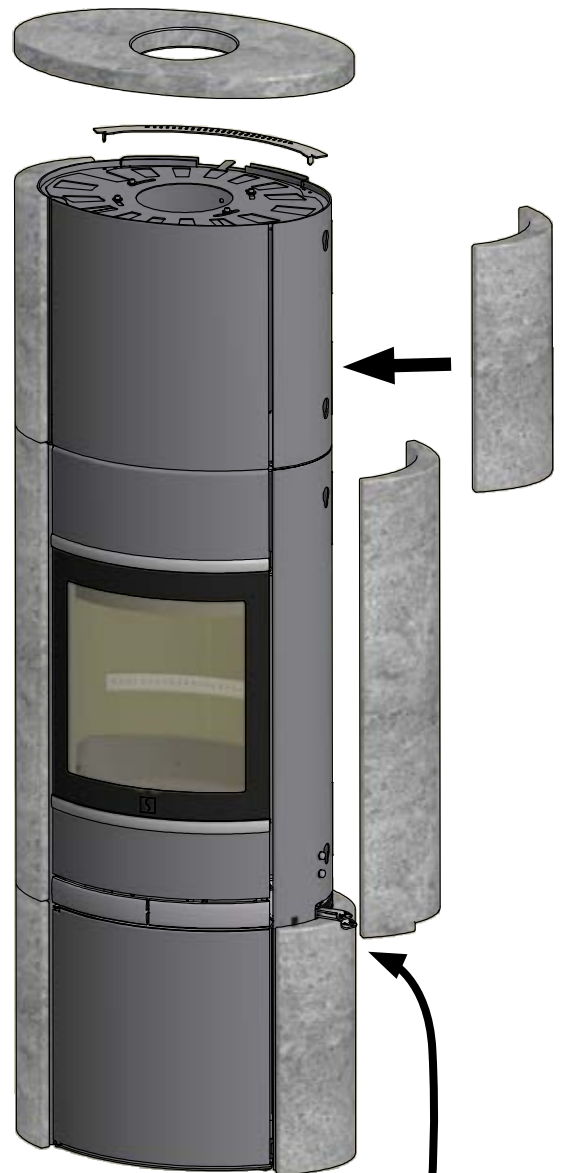
Scan 68-15 and Scan 68-16 are supplied with loose pieces of natural stone that are fitted to the sides of the stove.

Natural stone is made from a natural material and consequently its pattern and shape may vary.

Please note that the illustration shows a High Top, which can be purchased as an accessory.



Trim the sealing strip supplied so that it fits in between the two marking holes. Fix the stove to the inside of the marking holes as shown above.



Please note that the bottom damper handle (match) should be moved to

position B so there is enough room to fit the stone at the bot-

Fix the stones to the stove and the decorative grate and then place the top plate loosely on top.

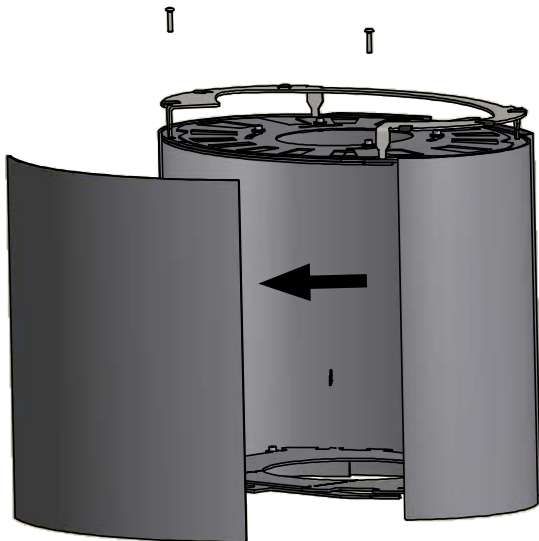
Mounting of high top for Scan 68-13/14

If you choose to connect the stove with an elbow pipe or a rear outlet, the stove must be mounted to the wall behind the oven using a special wall mounting kit. This kit can be purchased from your local Scan dealer. For fitting, see page 28.

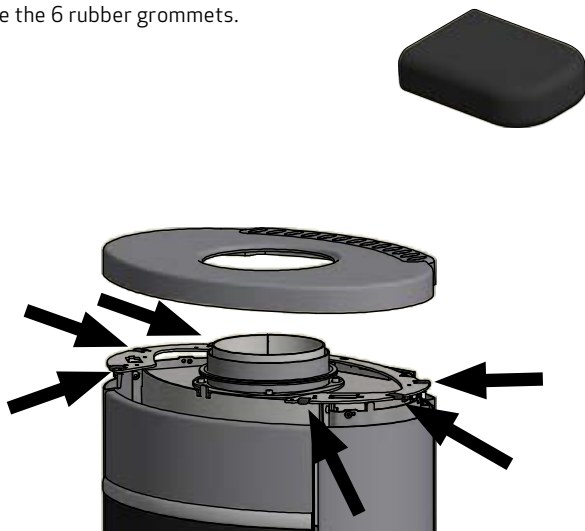
! It is very important that the base is level and stable.

Mounting of the high top:

The front plate of the high top is removed as follows:
Remove the Allen screws. Remove the front of the high top.

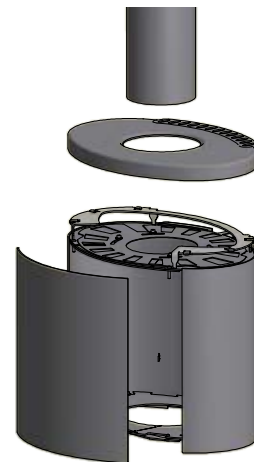
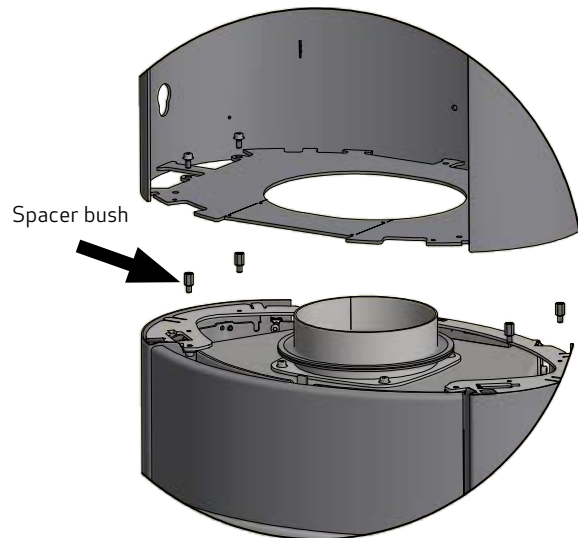


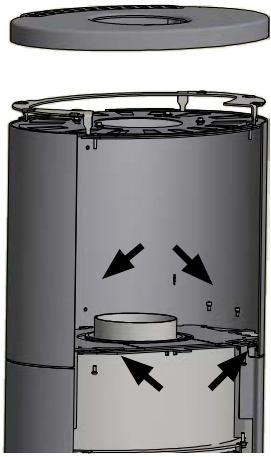
Remove the top plate.
Remove the 6 rubber grommets.



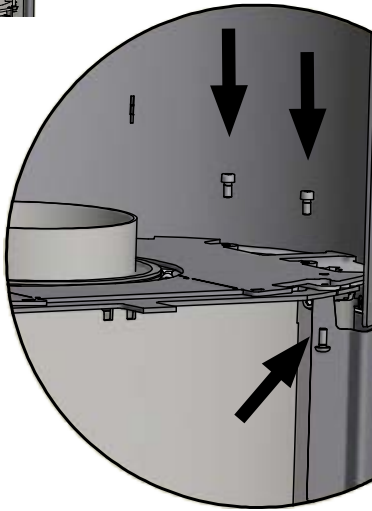
High Top for natural stone

! A sealing strip, four M5x10 screws with flange and four spacer bushes are supplied.
Fit the four spacer bushes supplied before fixing the High Top in place.





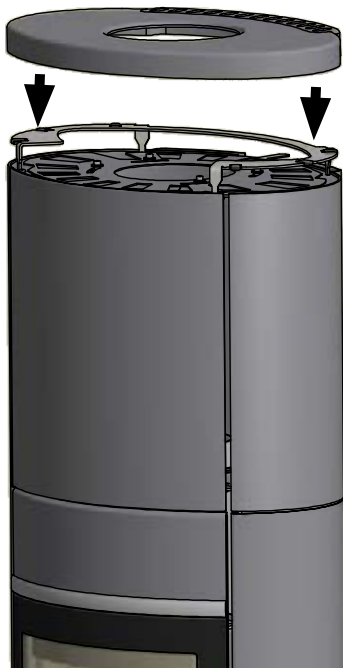
Use the six screws that are supplied with the High Top.



Re-fit the front plate.

Fit the two bottom screws so the front plate can be pushed in between when it is mounted.

Re-tighten the two bottom screws once the front plate is in place.



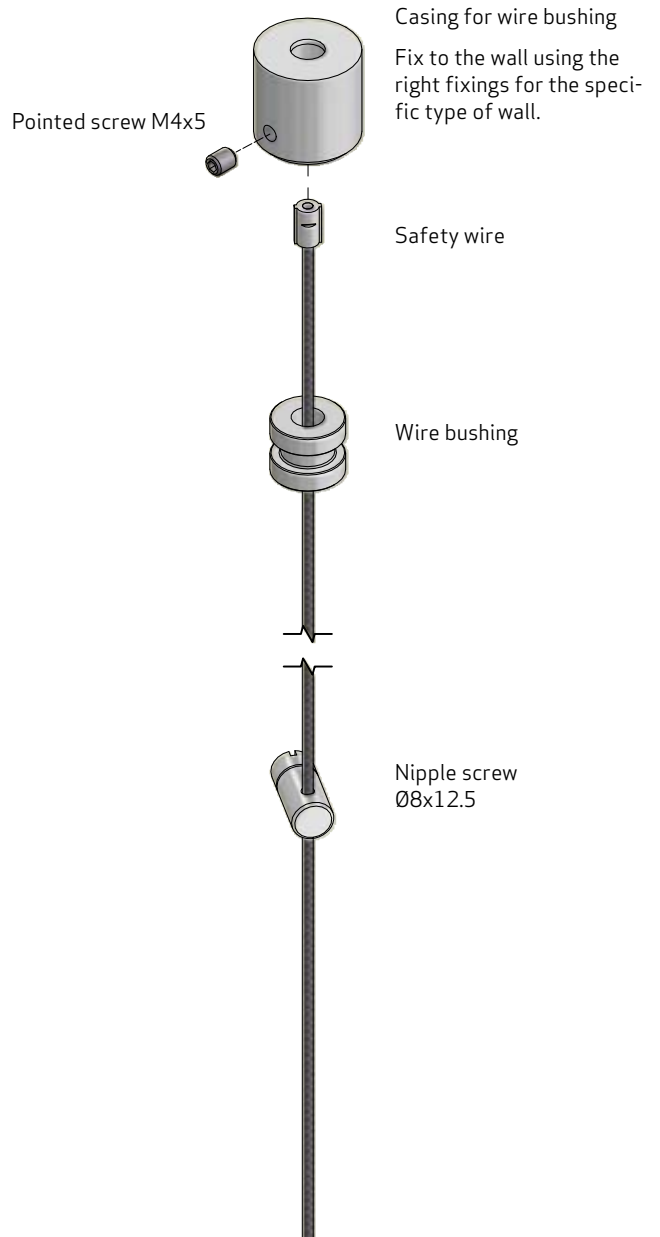
Wall mounting kit for Scan 68 with high top

If you choose to connect the stove with an elbow pipe or a rear outlet, the stove must be mounted to the wall behind the oven using a special wall mounting kit. This kit can be purchased from your local Scan dealer

See page 25 for how to fit the high top.

Fit the wall mounting kit before connecting the stove to the chimney.

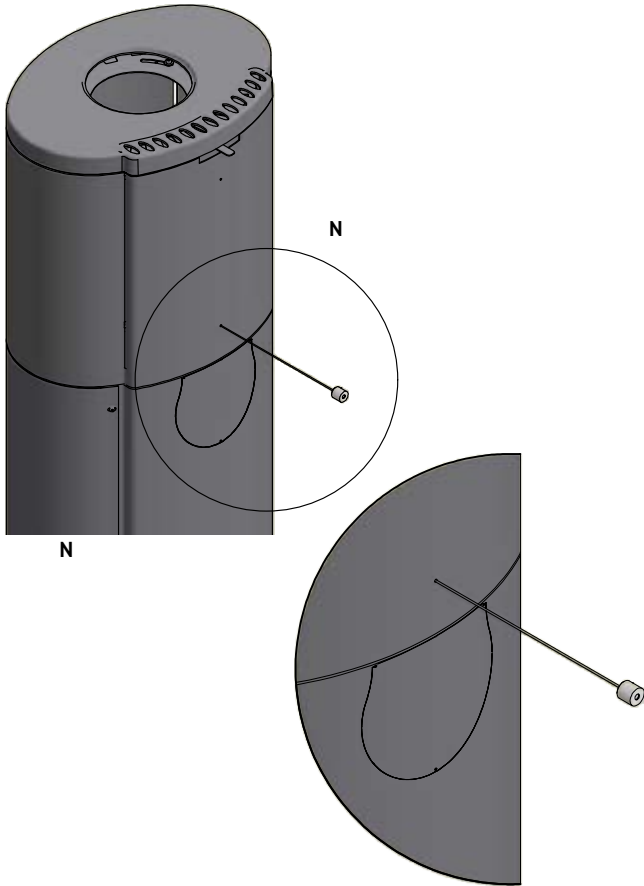
It is important that the stove is mounted securely to the wall using the right fixings for the specific type of wall.



N:

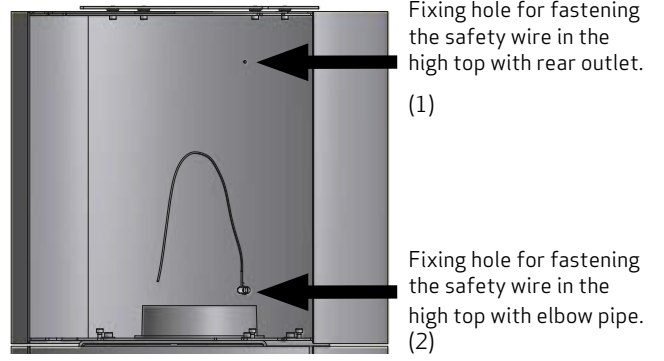
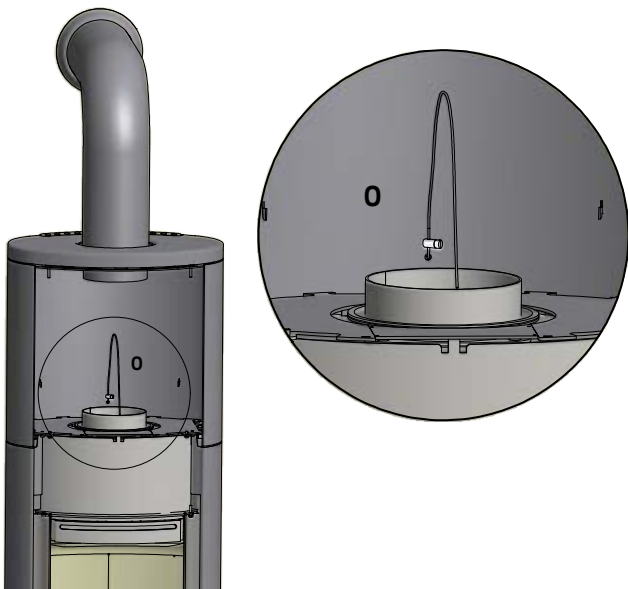
Casing for wire bushing is fixed to the wall

Fasten the safety wire and the wire bushing to the wire bushing casing using a pointed screw.



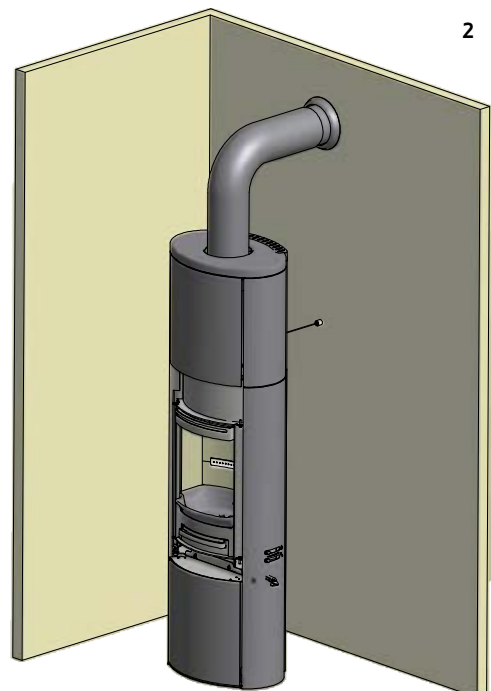
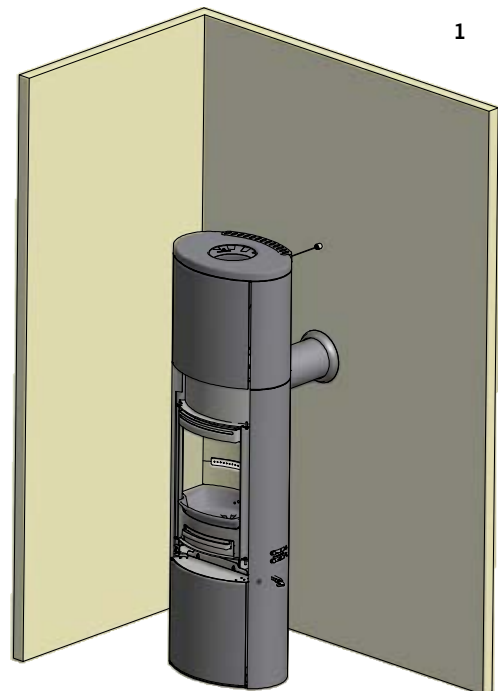
O:

Fasten the safety wire to the high top with a nipple screw.



Fixing hole for fastening the safety wire in the high top with rear outlet. (1)

Fixing hole for fastening the safety wire in the high top with elbow pipe. (2)



Heat accumulating stones for high top

The heat accumulating stones for Scan 68 with high top are made of a special material with a high heating capacity. The stones are heated up during the firing and gives off the heat again after the firing, which means that the stove stays warm for a longer time.

The vent for adjustment of the convection air is placed at the back of the high top, see page 29 for adjustment of the vent. Firing with the vent open will give a quicker heating. Firing with the vent closed will extend the heating time of the stove.

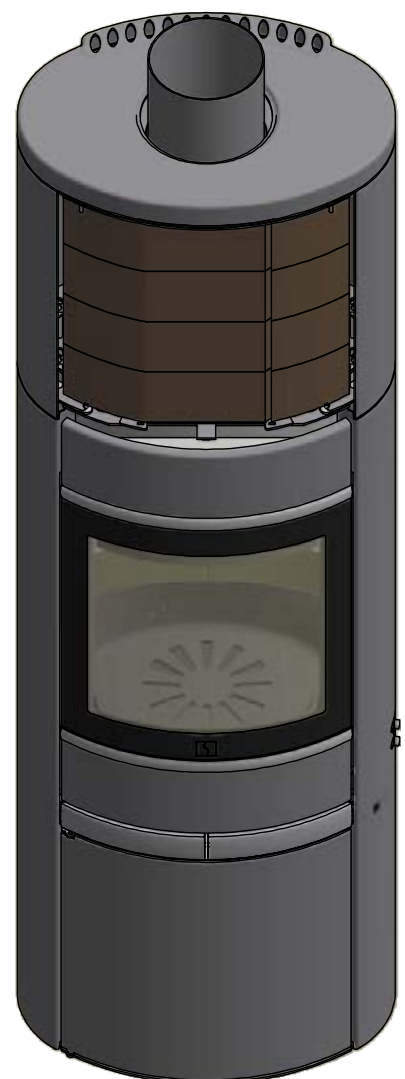
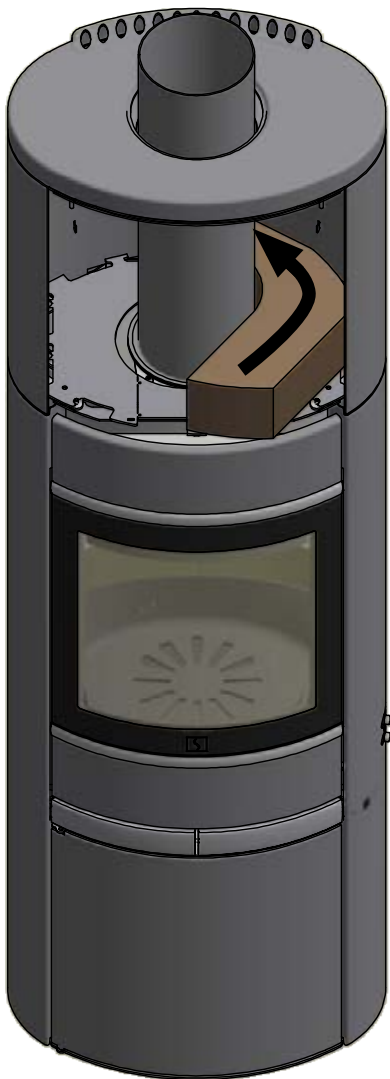
The heat accumulating stones are placed in the high top and turned in place around the chimney (1). The second stone is placed next to the first stone so that they join each other around the chimney (2). The rest of the stones are placed in the same way (3).

Mount the front for the high top, see page 27.

1

2

3



Operation with door left open

Operation with the door open can cause excess smoke. The appliance must not be operated with the appliance door left open except as directed in the instructions.

Dampers left open

Operation with the air controls or appliance dampers open can cause excess smoke. The appliance must not be operated with air controls, appliance dampers or door left open except as directed in the instructions.

CB-technique (Clean Burning)

The wood-burning stove is equipped with CB technology. In order to ensure an optimal combustion of released gases under the incineration process, air will pass through a specially developed canal system. The heated air is led into the combustion chamber through the small holes at the rear of the burn chamber. This airflow is driven by the combustion rate and thus cannot be regulated.

Primary air

The primary air regulation mechanism is used for lighting the fire, or to boost the burning process when you put wood on. The primary air vent can be 0 - 30% open if you use hard wood fuel such as oak and beech. You can close the primary air vent if you use soft wood such as birch or pine for fuel.

Settings for normal load: 0 - 30%

Secondary air

Secondary air is pre-heated and fed indirectly to the fire. At the same time, the secondary airflow cleans the glass pane to avoid soot build-up. If you over-restrict the secondary airflow, soot can build up on the glass pane. The secondary airflow determines the heat output from your wood stove.

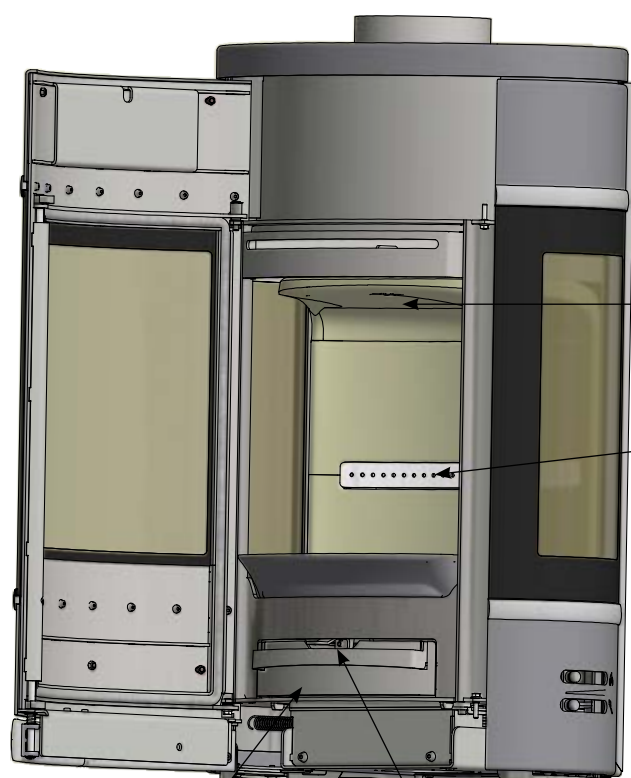
Settings for normal load: 50 - 70%

Baffle plates

The baffle plates are located in the upper part of the combustion chamber. The plates hold back smoke, making sure it stays inside the combustion chamber for a longer time before escaping through the chimney. This reduces the smoke gas temperature as the gases have more time to dissipate heat to the wood-burning stove. The baffle plates must be removed for sweeping; see „Maintaining your wood-burning stove“. Note that the baffle plates are made of porous, ceramic material, and can break. Exercise care when working. The baffle plates are subject to wear and tear, and are not covered by the warranty.

Ash drawer

Open the glass door to access the ash pan which is located below the combustion chamber. Keep the ash pan closed at all times when the wood stove is lit. The ash drawer must not be overfilled and must therefore be emptied at regular intervals.



Ash drawer

Handle for riddling grate

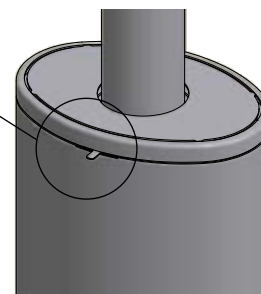
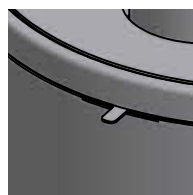
baffle plate

CB-technique

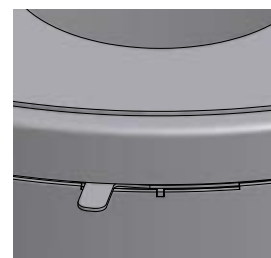
Secondary air

Primary air

Adjustment of the convection air in the high top



Middle position:
Vent closed



Side position:
Vent open

Adjustment of air supply



Refuelling on to a low fire bed

If there is insufficient burning material in the firebed to light a new fuel charge, excessive smoke emission can occur. Refuelling must be carried out onto a sufficient quantity of glowing embers and ash that the new fuel charge will ignite in a reasonable period. If there are too few embers in the fire bed, add suitable kindling to prevent excessive smoke

Fuel overloading

The maximum amount of fuel specified in this manual should not be exceeded, overloading can cause excess smoke.

Operation with door left open

Operation with the door open can cause excess smoke. The appliance must not be operated with the appliance door left open except as directed in the instructions.

Dampers left open

Operation with the air controls or appliance dampers open can cause excess smoke. The appliance must not be operated with air controls, appliance dampers or door left open except as directed in the instructions.

Environmentally-Friendly Heating

Avoid restricting your wood-burning stove to an extent where no flames are visible during the degasifying period, as this leads to particularly inefficient heating. The gases released by the wood do not burn due to the low temperature in the combustion chamber. Part of the gas condenses in the wood-burning stove and flue system as soot, and this could lead to your chimney catching fire. The smoke that exits the chimney is bad for the environment and has an unpleasant smell.

Lighting

We recommend the use of fire starters, or similar products, which are available from your Scan dealer. Using fire starters helps to light the wood quicker, and keeps the burning process clean. Never use liquid lighting fuels!



"Top down" lighting

Important! Always use a top-down lighting. The stove is constructed for this in order to give the best exploitation.

4 pieces of wood approx. 20 - 23 cm long with a weight of approx. 0.5 - 0.6 kg per piece.

The wood must not cover the bottom entirely and must never be placed higher than the Clean-Burn rail at the rear of the stove.

10 - 12 thin sticks of about 20 cm with a total weight of approx. 0,8 - 1,0 kg, and 3 fire starters.

Place logs, sticks and fire starters in the combustion chamber as shown on images 1 - 4.

Set the primary and secondary airflow controls to maximum for about 20 - 30 minutes. When the larger pieces of wood have caught fire properly, you can set the primary and secondary airflow to the desired level.

"Top down" lighting gives a more environmentally friendly start to your fire and helps to keep the glass area as clean as possible.

Continuous firing

It is important to reach as high a temperature as possible in the combustion chamber. This makes the most efficient use of the wood stove and fuel, and ensures a clean burning process. At the same time, this avoids soot build-up on the combustion chamber walls and glass. While the stove is lit, you should not see any smoke, but just air movement that indicates the burning process.

After completing the lighting phase, you should have a good layer of embers in the wood stove; you can then start stoking up the stove. Lay 2-3 pieces of wood, of about 0.4 - 0.6 kg weight with a length of about 25 cm onto the fire.

Note! The wood must catch fire quickly; this is why we recommend setting the primary airflow to full power. Running the stove at too low a temperature and with too little primary air can lead to deflagration of the gases, and thus cause damage to the stove.

When stoking up with wood, always open the glass door carefully to avoid smoke escaping. Never stoke up with wood while the fire is still burning nicely.

Using your stove in the spring or autumn

In the transition period (spring/autumn), where there is less need for heating, we recommend to make a single „top down“ lighting, perhaps with one stove up to ensure that the combustion chamber lining burns clean again.

Why you need a chimney

The chimney is the wood-burning stove's motor; it's performance decides how well your stove will work. The draft in the chimney creates a vacuum in the wood-burning stove. The vacuum draws the smoke out of the stove, and takes in air through the combustion air baffle to fuel the burning process. Combustion air is also used for the airwash system that keeps the window clear of soot.

The draft in the chimney is caused by the difference in temperatures inside and outside the chimney. The higher the temperature difference is, the better the draft in the chimney will be. It is thus important for the chimney to reach operating temperature before you adjust the damper to restrict combustion in the stove (a brickwork chimney will take longer to reach operating temperature than a steel chimney). It is very important to reach operating temperature as quickly as possible on days on which the draft in the chimney is poor due to unfavorable wind and weather conditions. Make sure the fuel ignites as quickly as possible (with visible flames). Chop the wood into particularly small pieces; use an extra fire lighter etc.

After longer periods of disuse, check the chimney flue for blockage. You can connect several units to the same chimney. But make sure check with your chimney sweep to observe local regulations. No matter how good your chimney is, it will not perform well if you do not use it correctly. On the other hand a poor chimney, may give you acceptable results if you use it correctly.

Using your stove in various weather conditions

Wind blowing on the chimney can have a great effect on how your stove reacts in various wind conditions; you may need to adjust the airflow to achieve good burning results. Fitting a damper in the flue pipe may also help as it will give you the ability to regulate the draught in changing wind conditions.

Fog can also have a great influence on how well a chimney draws; you may again need to adjust the airflow settings to achieve good burning results.

General Notes

Please note! Parts of the wood-burning stove, especially the outer surfaces, become hot during use. Please exercise due care.

Never empty ashes into a flammable container. Ashes can contain glowing embers long after you finish using your wood stove.

While the stove is not in use you can close the valves to avoid draught through the stove.

After longer breaks you should check the smoke outlet paths for blockages before lighting.

Chimney fires

In case of a chimney fire, keep the stove door, the ash container, and the valves on the stove closed. In case of emergency, call the fire service.

It is recommended that you get a chimney sweep to check the chimney before using the stove again.

The Clean Air Act 1993 and Smoke Control Areas

Under the Clean Air Act local authorities may declare the whole or part of the district of the authority to be a smoke control area. It is an offence to emit smoke from a chimney of a building, from a furnace or from any fixed boiler if located in a designated smoke control area. It is also an offence to acquire an "unauthorised fuel" for use within a smoke control area unless it is used in an "exempt" appliance ("exempted" from the controls which generally apply in the smoke control area).

The Secretary of State for Environment, Food and Rural Affairs has powers under the Act to authorise smokeless fuels or exempt appliances for use in smoke control areas in England. In Scotland and

Wales this power rests with Ministers in the devolved administrations for those countries. Separate legislation, the Clean Air (Northern Ireland) Order 1981, applies in Northern Ireland. Therefore it is a requirement that fuels burnt or obtained for use in smoke control areas have been "authorised" in Regulations and that appliances used to burn solid fuel in those areas (other than "authorised" fuels) have been exempted by an Order made and signed by the Secretary of State or Minister in the devolved administrations.

Further information on the requirements of the Clean Air Act can be found here : <https://www.gov.uk/smoke-control-area-rules>

Your local authority is responsible for implementing the Clean Air Act 1993 including designation and supervision of smoke control areas and you can contact them for details of Clean Air Act requirements. The secondary air valve has been modified, so that it does not close completely but has an opening corresponding to the position used at the lowest emission test.

You can use any type of wood as fuel.

The Scan 68 appliance models detailed on page 3 of this manual have been recommended as suitable for use in smoke control areas when burning wood logs with a modification to the secondary air valve so that it will not close beyond the 40% open position.



Important!

Please check **page 39** for installing the screw for secondary air control with open position.

Handling fuels

Selecting Wood/Fuel

You can use any type of wood as firewood, however, harder types, such as beech, ash, are generally better for heating as they burn more evenly and create less ash. Other wood types like maple, birch and spruce are excellent alternatives.

Handling

Firewood is best if you fell the tree, and saw and split the wood, before May 1st. Remember to cut the logs to match the size of your wood-burning stove's combustion chamber. We recommend a diameter of 6-10 cm. The length should be about 6 cm shorter than that of the combustion chamber to leave enough space for air to circulate. Firewood with a greater diameter needs splitting. Split wood dries faster.

Storing

You need to store the sawn and split firewood in a dry place for 1-2 years before burning. Wood dries faster if you stack it in an airy place. Before use, store the firewood for a few days at room temperature. Note that wood absorbs moisture during the autumn and winter seasons.

Moisture

To avoid environmental issues, and for optimum burning, wood has to be perfectly dry to be suitable for use as firewood. The max. residual moisture in the wood should not exceed 20%. A moisture content of 15-18% yields best results. As an easy way of checking if wood is dry, just knock two pieces of wood together. If the wood is moist, the sound will be dull.

If you use damp wood, most of the heat it produces will be used to evaporate the water. The temperature in the wood stove does not rise, and the room is not sufficiently heated. Of course, this is not economical, and it will cause soot build up on the glass pane, in the stove, and in the chimney. Burning moist wood also causes pollution.

Understanding units for measuring wood

Various units of measurement are used for wood. Before you buy wood, it makes sense to familiarise yourself with the terms. There are various brochures, in public libraries for example, that cover this topic.

Use of the following as fuel is illegal

Painted, pressure impregnated, or glued wood, driftwood from the sea. Never burn chipboard, plastics, or chemically treated paper. These materials are dangerous to humans, to the environment, your wood stove, and your chimney. To keep a long story short – make sure you burn only quality firewood.

Firewood fuel value

The fuel value is different for different types of wood. In other words, you need to use more wood of certain types to achieve the same heating performance. This Instruction Manual assumes that you will be using beech, which has a very high fuel value, and is also a wood that is easy to procure. If you use oak or beech wood fuel, note that these wood types have a greater fuel value than, say, birch. Make sure you use less fuel to avoid damage to the wood-burning stove.

Wood types	Kg Dry wood/m ³	Compared to beech
Hornbeam	640	110%
Beech/Oak	580	100%
Ash	570	98%
Maple	540	93%
Birch	510	88%
Pine	480	83%
Fir	390	67%
Poplar	380	65%

Maintaining your wood-burning stove

Apart from regular chimney sweeping, your wood-burning stove does not require any regular maintenance. However, we recommend servicing at least once every two years

Use only original replacement parts for maintenance and repairs of your stove.

Note! Make sure the wood-burning stove is cold before starting maintenance or repair work.

Coated surfaces

Clean your wood-burning stove by dusting with a dry, lint-free cloth. If the topcoat is damaged, you can purchase a repair spray from your authorised Scan dealer. As slight differences in colour are possible, spray a larger area to achieve a natural transition for best results. For best results, apply repair spray when the wood-burning stove is hand-hot.

Cleaning the glass

Our wood-burning stoves are designed to prevent serious soot build up on the glass. The best way to achieve this is to make sure you have a sufficient combustion air supply. It is also important to use dry wood, and have a correctly dimensioned chimney.

Even if you follow all of our instructions, a slight film of soot can build up on the glass. You can easily remove this build up by cleaning with a dry cloth and glass cleaner. Please note that the glass cleaner is not to get into contact with the gaskets, as this can discolour the glass permanently.

Combustion chamber lining

Slight cracks can appear in the combustion chamber lining due to moisture, or to the heating/cooling process. These cracks have no influence on the heating performance or lifetime of your stove. However, if the lining starts to crumble, you must replace it. The combustion chamber lining is not covered by the warranty.

Gaskets

All wood-burning stoves have gaskets made of ceramic material fitted to the stove, the doors, and/or the glass. These gaskets are subject to wear and tear, and must be replaced when necessary.

Chimney sweeping and cleaning your wood-burning stove

Follow national and local chimney sweeping regulations. We recommend having the wood-burning stove cleaned regularly by the chimney sweep.

Before starting to clean your wood-burning stove, and sweep the flue pipe, we recommend first removing the baffle plates.

Checking the stove

Scan A/S recommends that you check your stove thoroughly after sweeping/cleaning. Check all visible surfaces for cracks. Check that all joints are tight and that the seals sit correctly. Worn or deformed seals should be replaced



Servicing

We recommend that the stove should have a comprehensive servicing at least once every two years. Servicing should include the following:

- Lubricate hinges using copper grease
- Check gaskets. Replace any that are broken or weak.
- Check combustion chamber door and riddling grate
- Check combustion chamber lining and baffle plates.

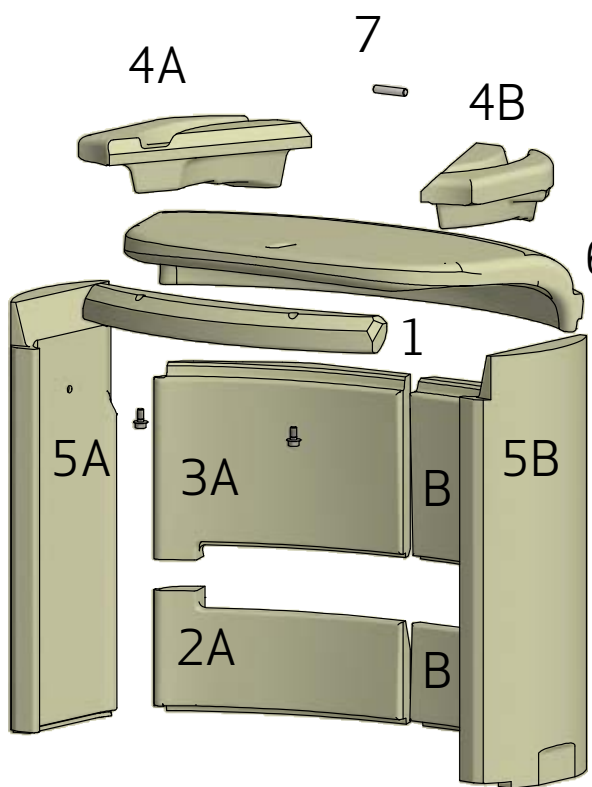
The stove must be serviced by a qualified fitter. Use only original spare parts.

The fire box lining

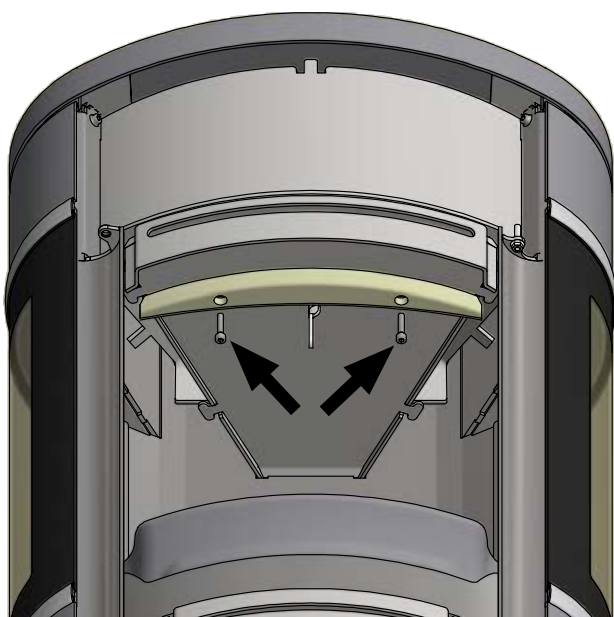
8 Skamol plates.

1 pin for the baffle plate

2 screws



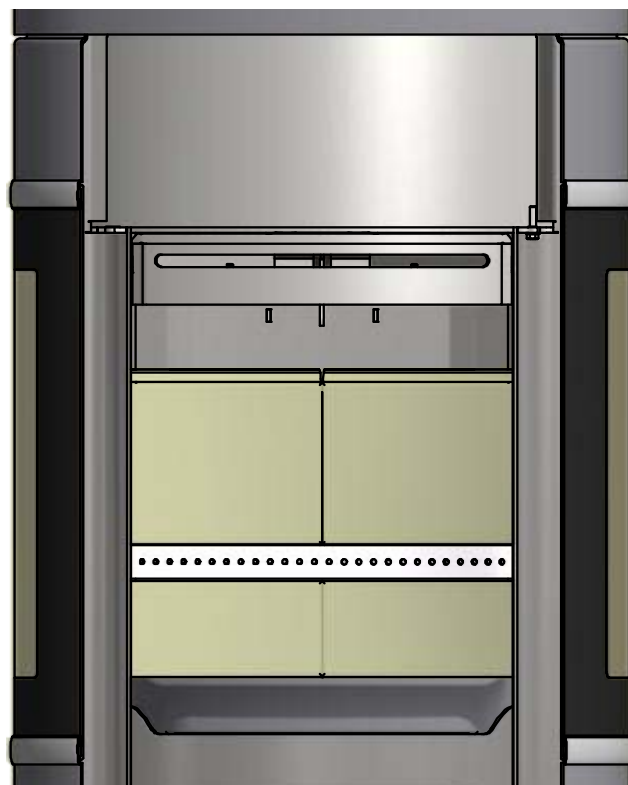
1



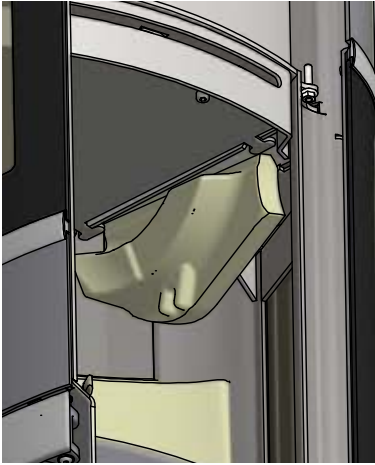
2



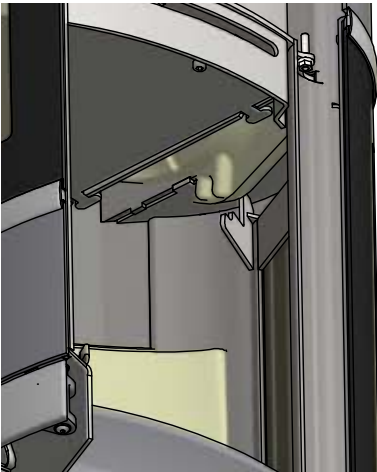
1+2+3



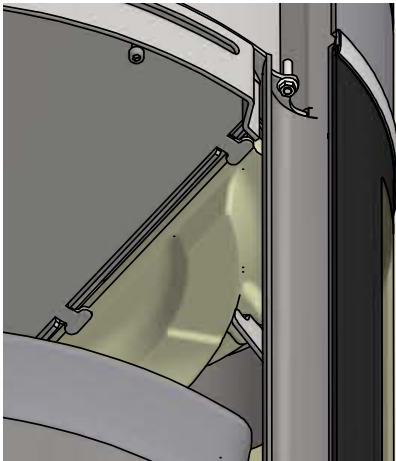
4



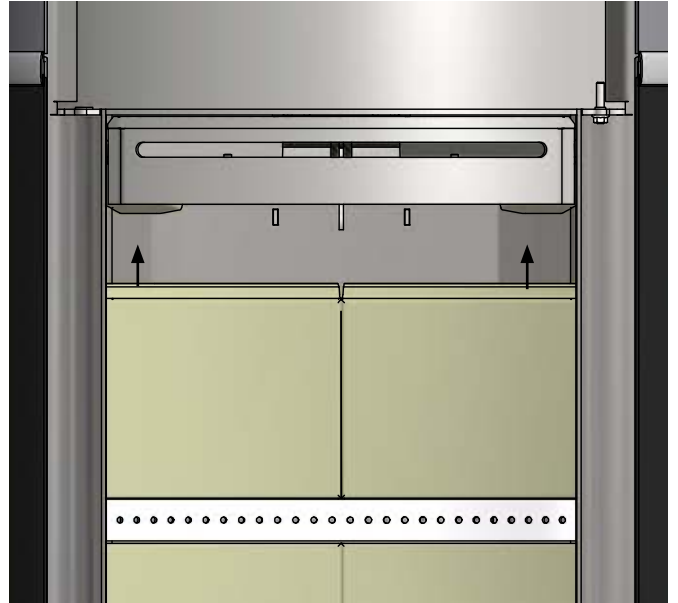
4



4



1+ 2+ 3+ 4

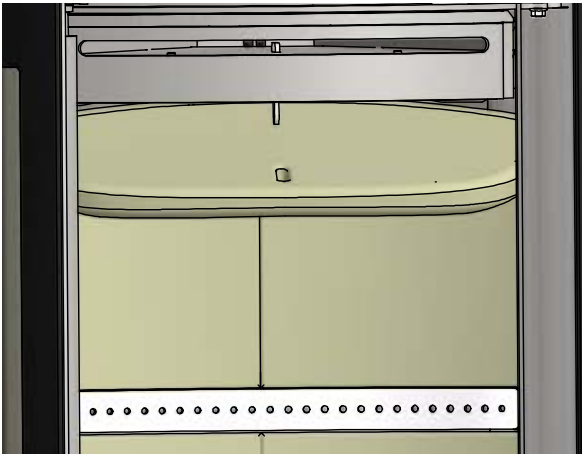


Make sure that the two baffles are placed identically.

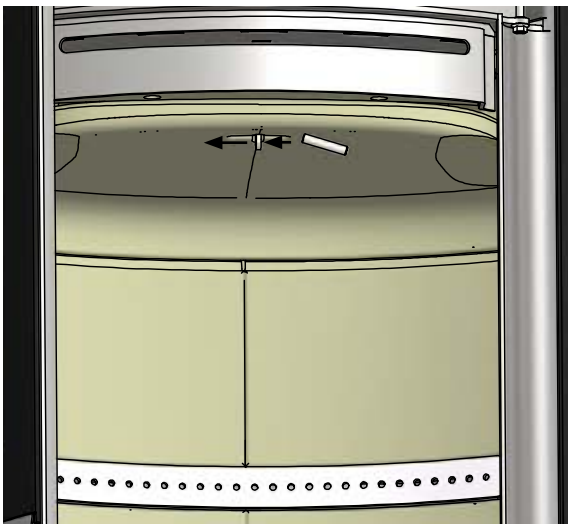
5



6



7



8



Removal

Use the pin in the upper baffle plate to lift the side plate up and out, before removing the baffle plate.



Smoke escaping

- Damp wood
- Chimney not drawing properly
- Chimney is not properly dimensioned for the stove
- Check if the smoke gas pipe/chimney are blocked
- Is the chimney the right height for its surroundings?
- At rear outlet, check that the flue pipe does not obstruct the chimney draught
- Vacuum in room
- The door is opened before the embers have burned down sufficiently

Wood burning too quickly

- The air valves are set incorrectly
- The baffle plates is incorrectly mounted or missing
- Inferior firewood (waste wood, pallets etc.)
- Chimney too large

Soot build-up on glass

- Incorrect secondary airflow setting
- Excessive primary air
- Damp wood
- Wood pieces too large on lighting
- Inferior firewood (waste wood, pallets etc.)
- Chimney not drawing sufficiently
- Vacuum in room

Excessive soot build-up in chimney

- Poor burning (more air required)
- Damp wood

The surface of the stove is turning grey

- Overheating (see instructions for heating)

Poor heating performance of stove

- Damp wood
- Not enough wood
- Inferior wood quality with low fuel value
- Baffle plates are not fitted correctly

Odour coming from stove

- The lacquer on the stove hardens when you use the stove for the first time; this can cause an odour. Open a window or a door for ventilation, and make sure the stove is heated up sufficiently to avoid odours later.
- When heating up and cooling down, the stove may make some clicking noises. These are due to the huge temperature differences to which the material is exposed and do not indicate any product defects.

Warranty

All wood-fired Scan products are made of high-quality materials and subject to strict quality controls before leaving the factory. We give a warranty of 5 years on manufacturing errors or defects.

You must quote your stove's product registration number when you contact us or your authorised Scan dealer with a warranty claim.

The warranty covers all parts which in the opinion of Scan A/S require repair or replacement due to manufacturing or construction error

The warranty applies to the original purchaser of the product only, and is not transferable (except on prior sale).

The warranty covers only damage caused by manufacturing or construction errors.

The following parts are not covered by the warranty

- Wear and tear parts, such as the combustion chamber liners, baffle plates, riddling grate, glass, tiles, and seals (except for defects which were present on delivery).
- Defects caused by external chemical and physical influences during transportation, storage and assembly, or at a later time.
- Soot build-up caused by poor chimney draught, damp wood, or improper use.
- Costs of additional heating in connection with a repair.
- Transport costs.
- Costs for setting up, removing the wood stove.

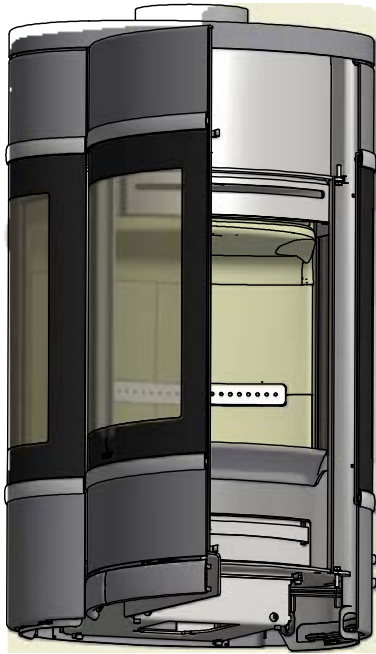
This warranty is void

- In case of incorrect installation (the installer is responsible for observing and complying with legal requirements and local bylaws, along with this Assembly- and Instructions manual for the wood-burning stove and accessories).
- In case of improper use, and/or use of prohibited fuels, non-original spares (see this Assembly- and instructions manual).
- If the product registration number of the stove has been removed or damaged.
- In case of repairs that do not comply with our instructions or instructions by an authorised Scan dealer.
- In case of any manipulation of the original state of this Scan product or its accessories.
- This warranty is only valid in the country to which this Scan product was originally supplied.

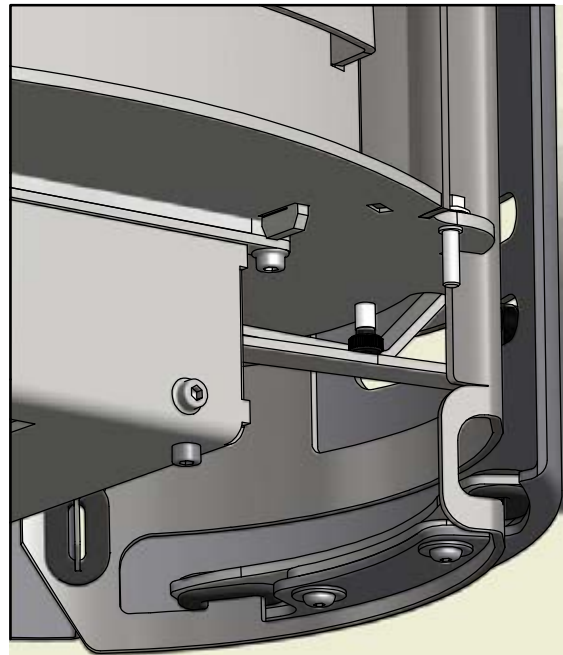
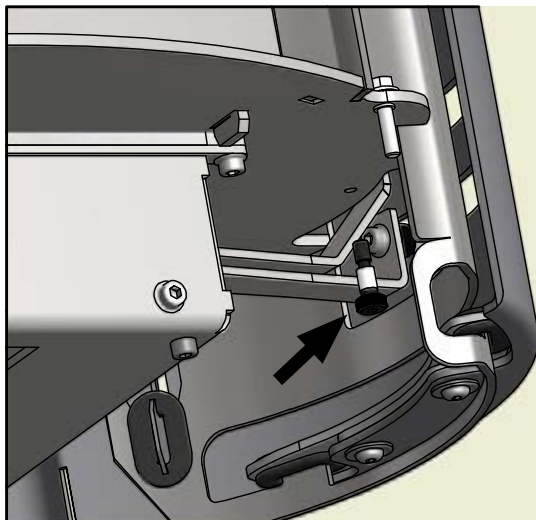
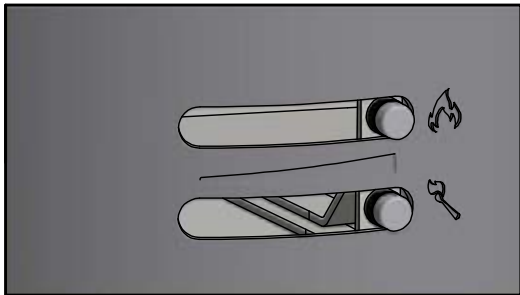
Always use original replacement parts, or parts recommended by the manufacturer.

Important!

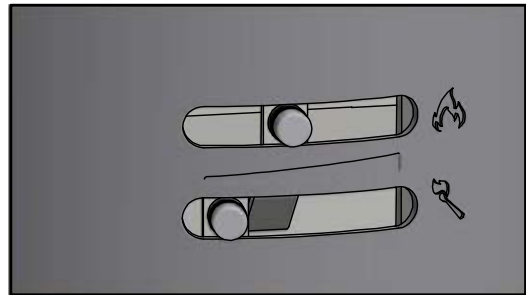
This screw (M5 x 10) must be placed as shown in the pictures, to prevent secondary air control can be closed completely.



Open both, secondary and primary air control to mount the screw.



UK
After mounting the UK screw



Please note!

The typeplate has to be changed with the one, which is delivered with the manual.



