

Jøtul F 305 Series

UK	-	Installation and operating instructions	2
FR	-	Manuel d'installation et d'utilisation	23
ES	-	Instrucciones para instalación	43
IT	-	Manuale di installazione ed uso	63



Jøtul F 305 Base



Jøtul F 305 Long legs



Jøtul F 305 Short legs

ENGLISH

Table of contents

1.0	Technical data	2
2.0	Relationship to the authorities	2
3.0	Safety	3
4.0	Installation	8
5.0	Daily Use	18
6.0	Maintenance	19
7.0	Servicing	20
8.0	Optional Extras	22
9.0	Recycling	22
10.0	Warranty	22

1.0 Relationship to the authorities

- Installation of a fireplace must be carried out in compliance with national laws and regulations. All local ordinances, including those that refer to national and European standards, must be complied with when products are installed.
- The installation can only be put into use after it has been checked by a qualified inspector.
- Contact your local building authorities before installing a new fireplace.

2.0 Technical data

Material:	Cast iron
Finish:	Black paint / enamel
Smoke outlet:	Top, rear
Flue pipe dimension:	Ø 150 mm
Outside air connection:	Alu. flex - Ø 80 / Ø 100 mm

Product weight:

Burn chamber with long legs:	143 kg
Burn chamber with base:	169 kg
Soapstone top:	36 kg
Optional extras	Floorplates, Ash lip, kit for outside air connection, protection grid for sweep ball, short legs, soapstone top, short legs

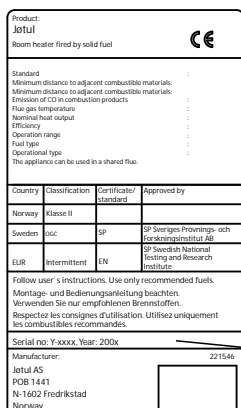
Product dimensions, distances: See **Fig. 1**

Technical data in acc. with EN 13240

Nominal heat output:	7 kW
Flue gas volume:	7.1 g/s
Chimney draught, EN 13240:	12 Pa
Recommended negative pressure in smoke outlet:	14-16 Pa
Efficiency:	79% @ 7.5 kW
CO emissions (13% O ₂):	0.06%
CO emissions (13% O ₂):	786 mg / Nm ³
NOx at 13% O ₂ :	85 mg / Nm ³
OGC @ 13 % O ₂ :	64 mg/Nm ³
Particle emission NS 3059:	1.5 g / kg
Air consumption:	6,1 litre/sec or 22 m ³ /h
Chimney temperature, EN 13240:	261 °C
Temperature in smoke outlet:	313 °C
Dust:	<7 mg/Nm ³ @ 13%O ₂

Type of fuel:	Wood
Max. log length:	41 cm
Fuel consumption:	2.25 kg/h
Max. kindling amount:	2.4 kg
Nominal kindling amount:	1.8 kg
Operation:	Intermittent

Intermittent combustion here means normal use of a fireplace, i.e. add more fuel as soon as the fire has burned down to embers.



On all our products there is a label indicating the serial number and year. Write this number in the place indicated in the installation instructions.

Always quote this serial number when contacting your retailer or Jøtul.

Serial no.

3.0 Safety

NB! To guarantee optimal performance and safety, Jøtul recommends that its stoves are fitted by a qualified installer (see www.jotul.com for a complete list of dealers).

Any modifications to the product by the distributor, installer or consumer may result in the product and safety features not functioning as intended. The same applies to the installation of accessories or optional extras not supplied by Jøtul. This may also be the case if parts that are essential to the functioning and safety of the fireplace have been disassembled or removed.

In all these cases, the manufacturer is not responsible or liable for the product and the right to make a complaint becomes null and void.

The Clean Air Act

“The Clean Air Act 1993 and Smoke Control Areas”

Under the Clean Air Act local authorities may declare the whole or part of the district of the authority to be a smoke control area. It is an offence to emit smoke from a chimney of a building, from a furnace or from any fixed boiler if located in a designated smoke control area. It is also an offence to acquire an “unauthorised fuel” for use within a smoke control area unless it is used in an “exempt” appliance (“exempted” from the controls which generally apply in the smoke control area). The Secretary of State for Environment, Food and Rural Affairs has powers under the Act to authorise smokeless fuels or exempt appliances for use in smoke control areas in England. In Scotland and Wales this power rests with Ministers in the devolved administrations for those countries. Separate legislation, the Clean Air (Northern Ireland) Order 1981, applies in Northern Ireland. Therefore it is a requirement that fuels burnt or obtained for use in smoke control areas have been “authorised” in Regulations and that appliances used to burn solid fuel in those areas (other than “authorised” fuels) have been exempted by an Order made and signed by the Secretary of State or Minister in the devolved administrations. Further information on the requirements of the Clean Air Act can be found here : <http://smokecontrol.defra.gov.uk/>
Your local authority is responsible for implementing the Clean Air Act 1993 including designation and supervision of smoke control areas and you can contact them for details of Clean Air Act requirements”.

Your local authority is responsible for implementing the Clean Air Act 1993 including designation and supervision of smoke control areas and you can contact them for details of Clean Air Act requirements”

“The Jotul F 305 Base, Jotul F305 long Legs and Jotul F305 Short Legs has been recommended as suitable for use in smoke control areas when burning Wood Logs.”

3.1 Fire Prevention Measures

There is a certain element of danger every time you use your fireplace. The following instructions must therefore be followed:

- The minimum safety distances when installing and using the fireplace are given in **fig. 1**.
- Ensure that furniture and other flammable materials are not too close to the fireplace. Flammable materials should not be placed within 1100 mm of the fireplace.
- Allow the fire to burn out. Never extinguish the flames with water.
- The fireplace becomes hot when lit and may cause burns if touched.
- Only remove ash when the fireplace is cold. Ash can contain hot embers and should therefore be placed in a non-flammable container.

- Ash should be placed outdoors or be emptied in a place where it will not present a potential fire hazard.

In case of chimney fire:

- Close all hatches and vents.
- Keep the firebox door closed.
- Check the loft and cellar for smoke.
- Call the fire service.
- Before use after a fire an expert must check the fireplace and the chimney in order to ensure that it is fully functional.

3.2 Floor

Foundation

You need to make sure the foundation is suitable for a fireplace. See “**2.0 Technical Data**” for specified weight.

We recommend the removal of any flooring that is not attached to the foundation (“floating floors”) beneath the installation.

Short legs (Optional extra)

NB: The short legged version (F 305 SL) can only be installed on a constructional hearth which must have an extension of minimum 500 mm in front of the stove. For further information please see Approved Document J2010 Section 2.22.

Requirements for protection of wooden flooring beneath the fireplace

The product with base has integrated floor protection and may therefore be placed directly on a wooden floor.

Jøtul F 305 with legs must have a floorplate below and in front according to national laws and regulations.

Important! The space under the burnchamber of Jøtul F 305 with legs cannot be used for storage.

Any inflammable floor coverings, such as linoleum, carpets, etc. must be removed from under the product.

Requirements for protection of inflammable floors in front of the fireplace

The front plate must comply with national laws and regulations. Contact your local building authorities regarding restrictions and installation requirements.

3.3 Walls

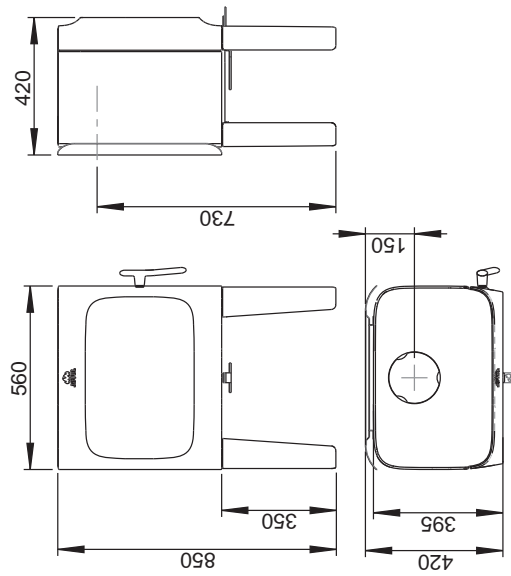
Distance to walls made of combustible material - see fig. b

Distance to combustible wall protected by firewall: See fig. 1c.

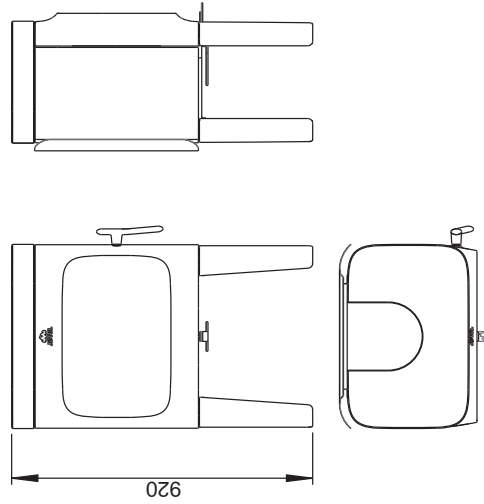
The fireplace may be used with an uninsulated flue pipe provided the distances between the fireplace and walls made of combustible materials are as shown in **fig. 1b**. Alternative distances with shielded or insulated flue pipe are also displayed in fig. 1b.

Note! Ensure that furniture and other flammable materials are not too close to the fireplace. Flammable materials should not be placed within 1100 mm of the fireplace.

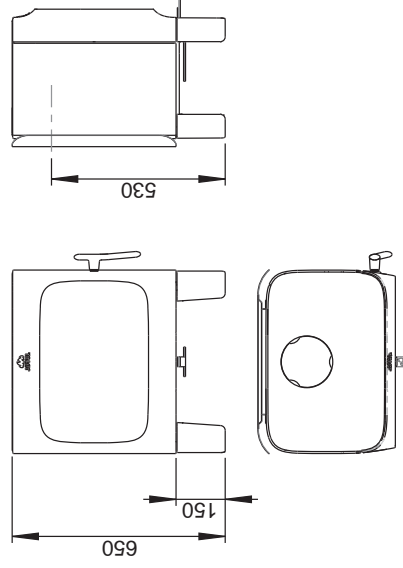
Jøtul F 305 with long legs



Jøtul F 305 with long legs and soapstone top

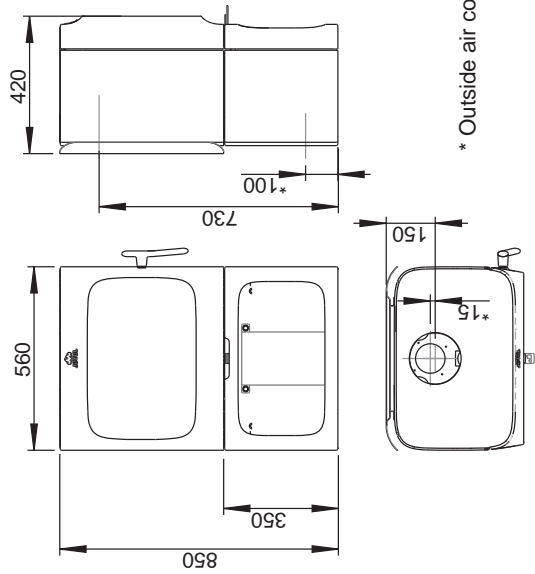


F 305 Short legs

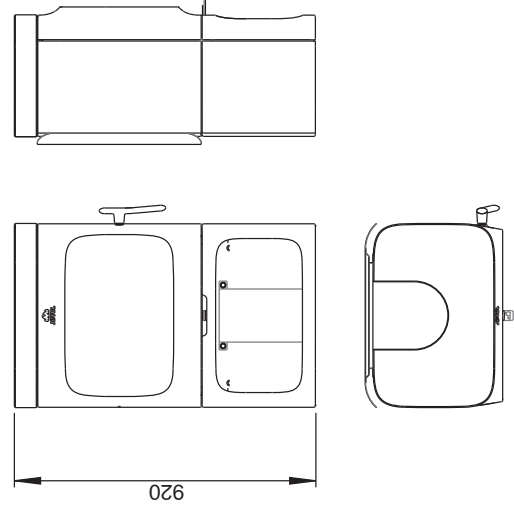


NB: The short legged version (F 305 SL) can only be installed on a constructional hearth which must have an extension of minimum 500 mm in front of the stove. For further information please see Approved Document J2010 Section 2.22.

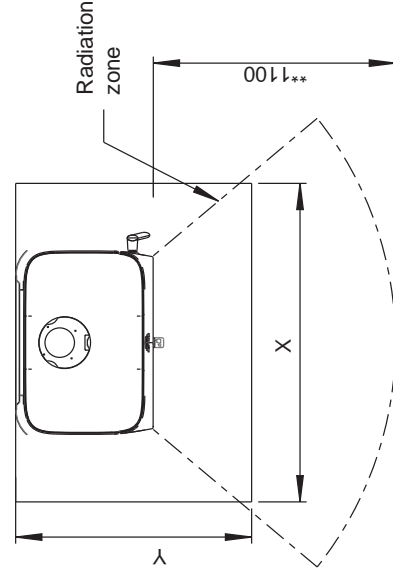
Jøtul F 305 with base



Jøtul F 305 with base and soapstone top



Floorplate



Min. measurements floorplate

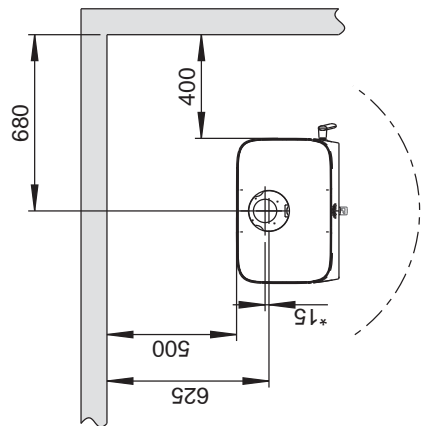
X / Y= According to national laws and regulations

** Min. distance to furniture / combustible material

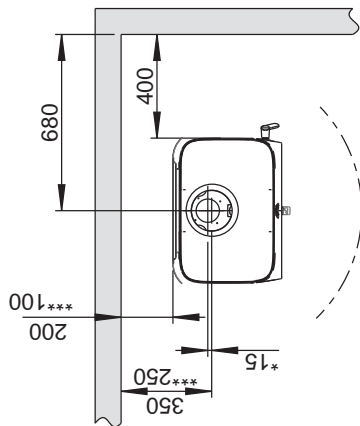
Fig. 1b Min. distance to combustible wall

Combustible wall

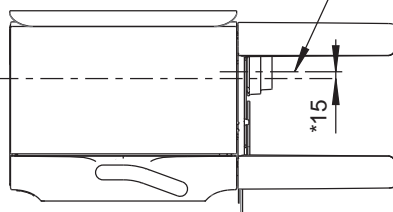
Without standard convection shield



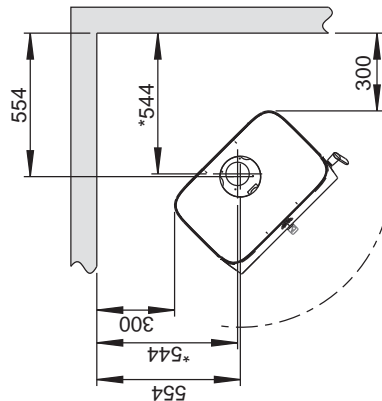
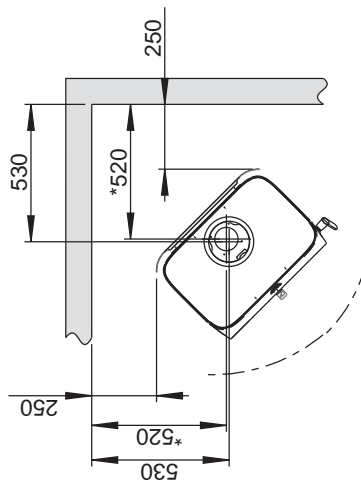
With standard convection shield



Flue pipe center

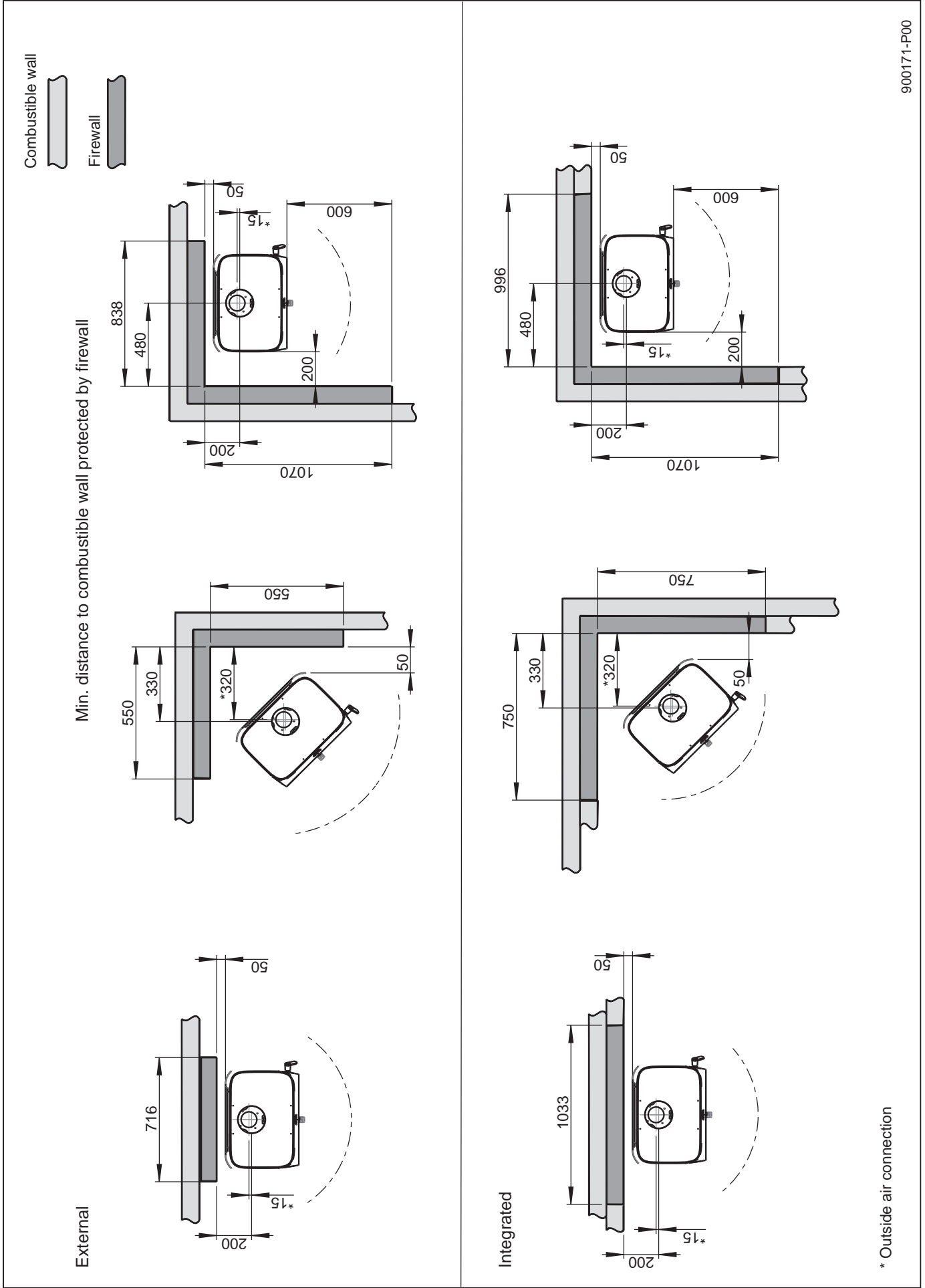


Outside air connection center



* Outside air connection
 *** Distance to combustible wall with semi-insulated / shielded flue pipe.

Fig. 1c



Air supply

The amount of combustion air for Jøtul's products is approximately 20-40 m³/h. The outside air connection may be fitted directly to the Jøtul F 305 through:

- the bottom
- through a flexible supply hose from the outside/chimney (only if the chimney has its own duct for external air) and to the product's outside air connector.

Fig. 2A, through an outside wall

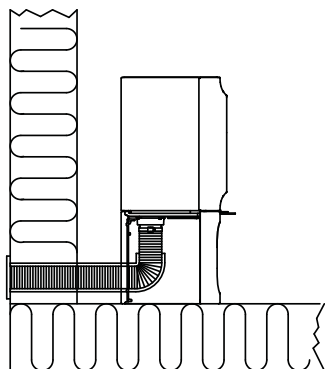


Fig. 2B, through the floor and ground plate

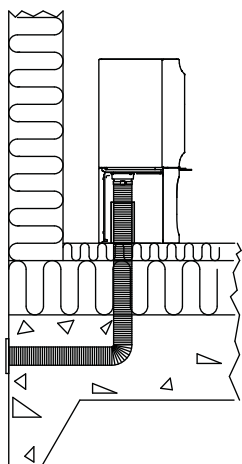


Fig. 2C, through the floor and basement

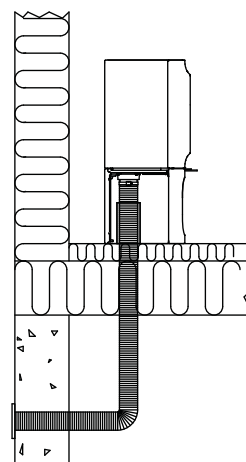
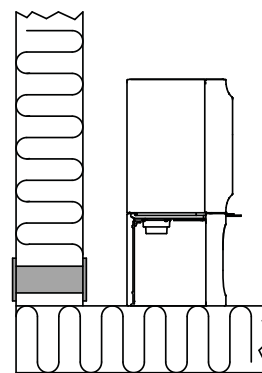


Fig. 2D, indirectly through an outside wall



ENGLISH

4.0 Installation

NB: Check that the fireplace is undamaged before installation begins.

NB: The product is heavy! Ensure you have help when positioning and installing it. Make sure the product does not topple over.

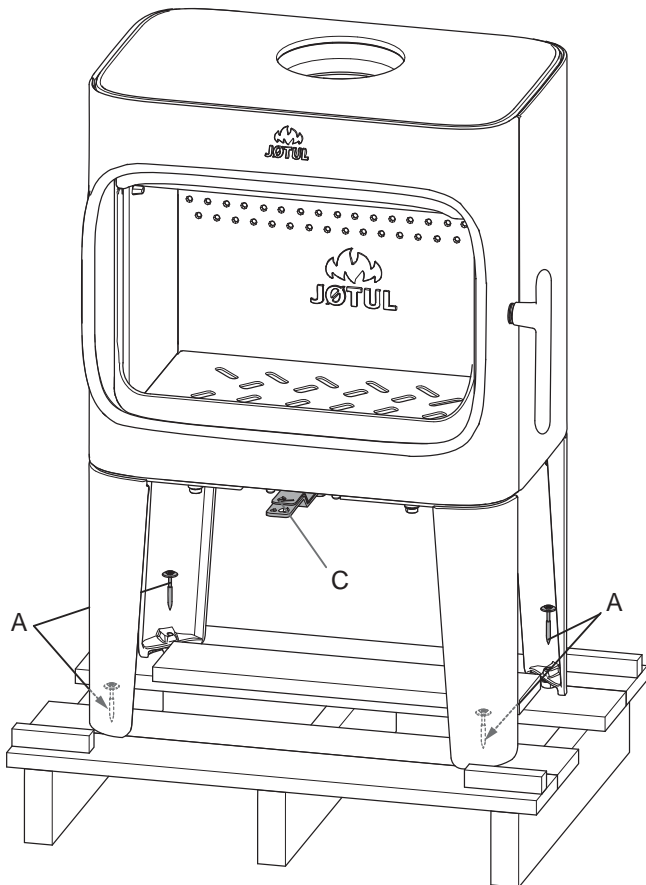
NB: Do not place anything on the top plate of the stove as this could cause permanent damage to the paint.

NB: Read the Installation and Operating instructions carefully before installing the fireplace!

4.1 Prior to installation - Jøtul F 305 with legs

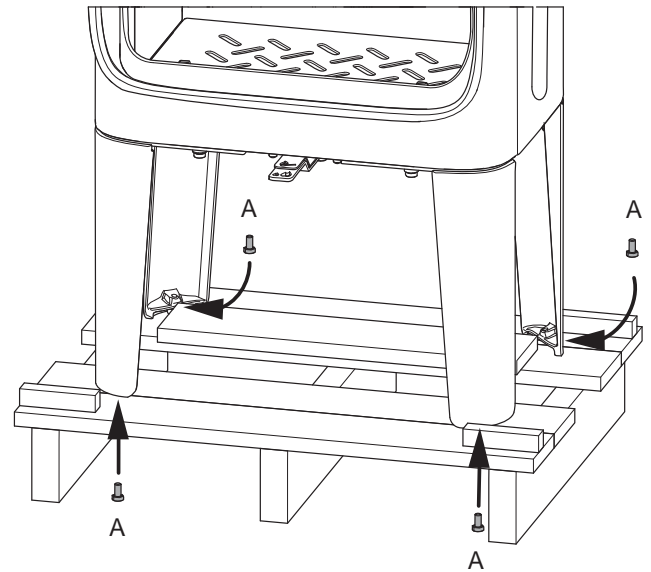
NB: There are two different legs. See the figure (fig. 6) on the bottom plate for correct placement.

Fig. 3



1. Remove the four transport screws (A) that fasten the oven to the wooden pallet.
2. Leave the stove standing on the transport pallet.
3. Remove the gloves from the ash pan.
4. Lift the baffle, ash retainer, inner bottom and bag of screws out of the burn chamber.
5. Check that the control handles (C) move freely.

Fig. 4

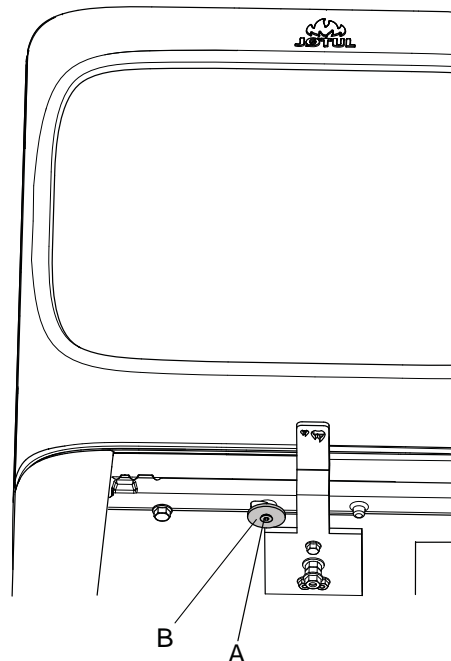


6. Install the height adjustment screws with plastic caps (A) placed in the bag of screws.
7. Lift the oven from the pallet.
8. Set up the oven and adjust to the right height using the height adjustment screws. **NB:** Take into account the height of the floor plate. **Mark on the wall if there has to be a rear outlet for flue pipe and external air supply.**

Requirement for UK

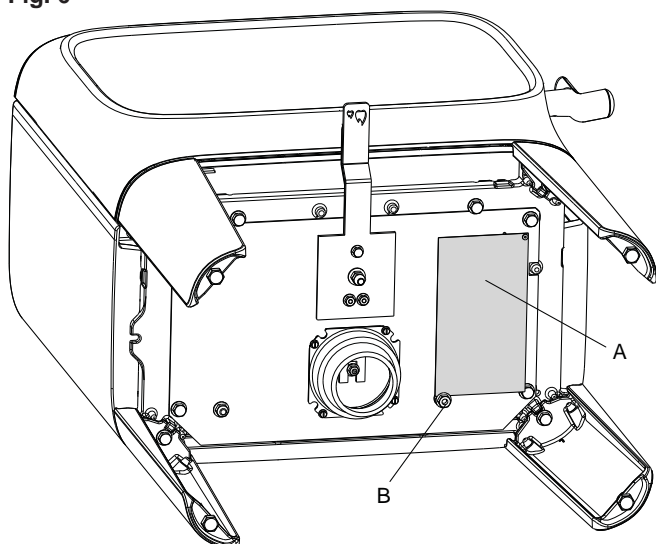
"The Jotul F 105 BB, LL, & SL stoves have been recommended as suitable for use in smoke control areas when burning wood logs and when fitted with a mechanical stop to prevent secondary air control closure beyond the 257mm² and the tertiary air control closure beyond the 370mm² open positions."
Note! In order to achieve this see the instructions in fig. 5.

Fig. 5



9. Unscrew the screw (A). Use the washer (B) from the bag of screws and screw it onto the burnchamber with the same screw.

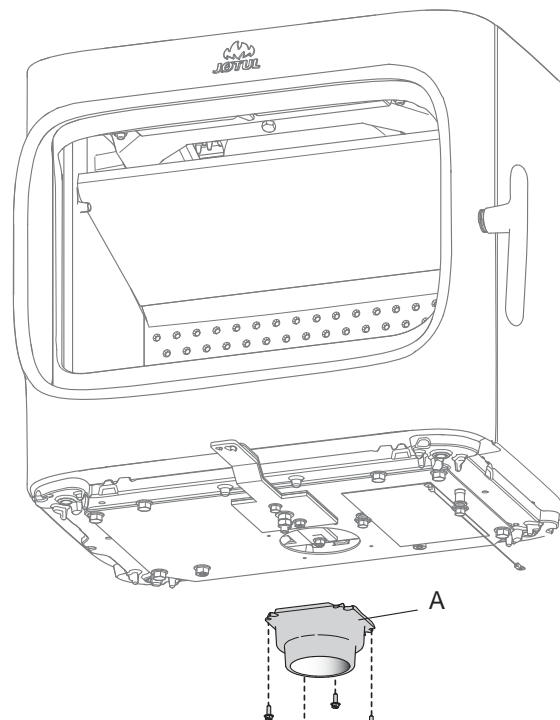
Fig. 6



1. Take the approval label **(A)** out of the ash pan and fasten it with the nut **(B)**, as displayed. The nut needs to be tightened only with the fingers. **NB: Do not cut off the wire used for fastening the label.**

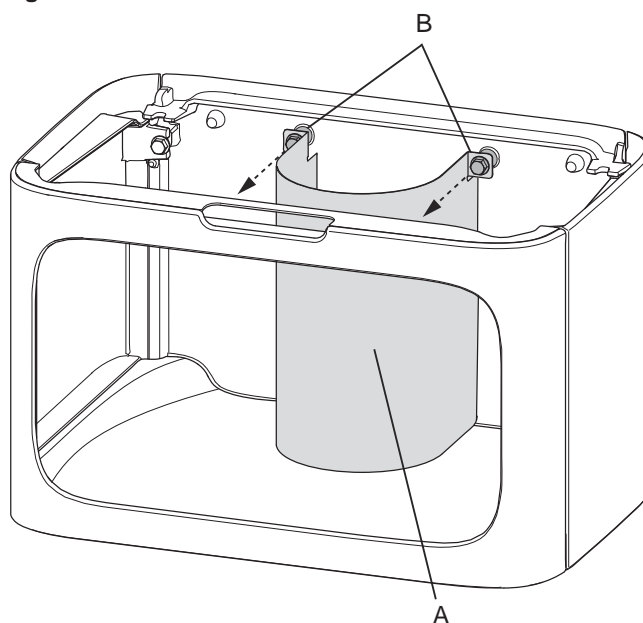
4.2 Prior to installation - Jøtul F 305 with base

Fig. 7



2. If external air supply is not used, the external air connector **(A)** can be unscrewed, if desired. Remove the four screws used for fastening the external air connector and then the connector itself. (For products with base: If necessary, you can unscrew the heat shield beneath the burn chamber in order to facilitate the dismantling of the external air connector.)
3. Install the convection plate back in its place after removing the external air connector.

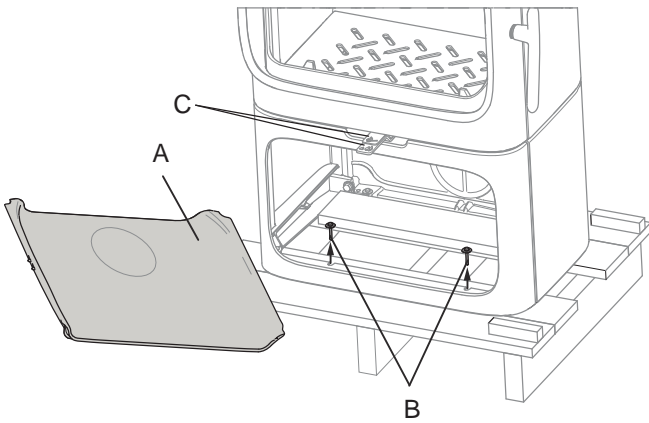
Fig. 8



1. First remove the outside air cover **(A)** by unscrewing the screws **(B)**.

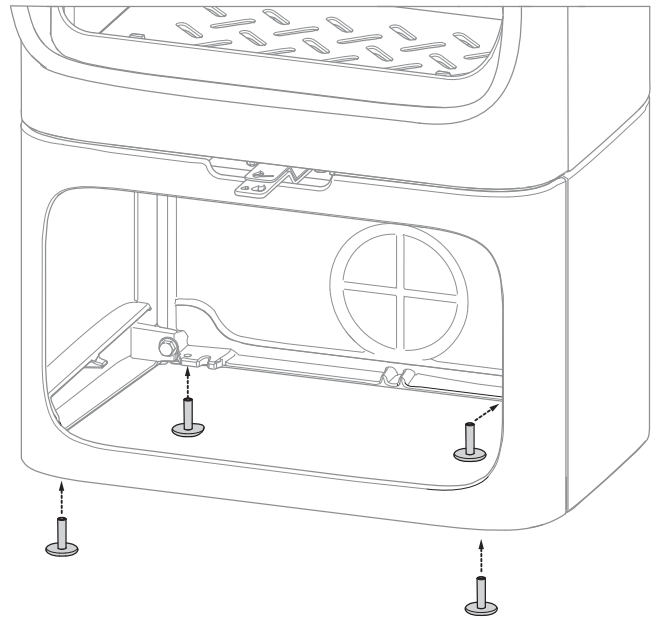
ENGLISH

Fig. 9



2. Remove the gloves from the ash pan.
3. Lift the baffle, ash retainer, and bag of screws out of the burn chamber.
4. Check that the control handles (C) move freely.
5. Remove the bottom plate (A) by taking hold of the front left corner. Lift up the plate and remove it from the base at an angle.
6. Remove the four transport screws (B) that fasten the oven to the wooden pallet.
7. Lift the oven from the pallet and set it up (see fig. 1).

Fig. 10

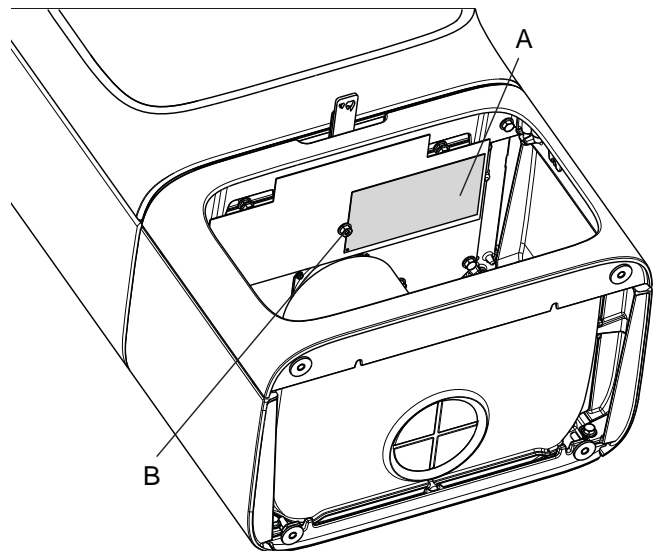


8. Adjust the base with the height adjustment screws using the hex key placed in the bag of screws. **NB! Take into account the height of the floor plate.**
9. Mark on the wall if there has to be a rear outlet for flue pipe and external air supply (see fig. 1). If there has to be a rear outlet for flue pipe and/or external air supply, move the oven from the wall and prepare the connections.

Approval label

Jøtul F 305 with base

Fig. 11

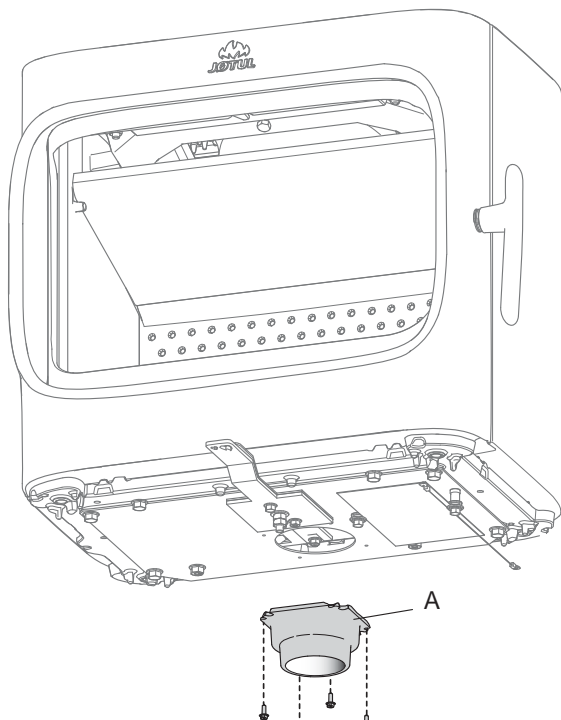


1. Take the approval label (A) out of the ash pan and fasten it with the nut (B), as displayed. The nut needs to be tightened only with the fingers. **NB: Do not cut off the wire used for fastening the label.**

4.3 Outside air connection

If external air supply is not used

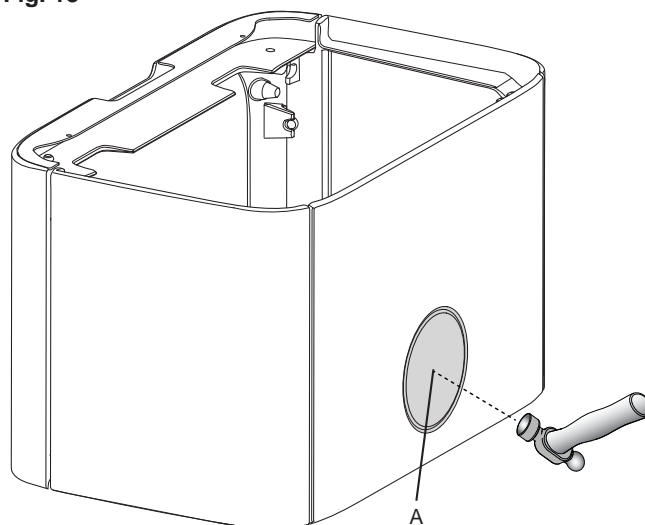
Fig. 12



2. If external air supply is not used, the external air connector **(A)** can be unscrewed, if desired. Remove the four screws used for fastening the external air connector and then the connector itself. **(For products with base:** If necessary, you can unscrew the heat shield beneath the burn chamber in order to facilitate the dismantling of the external air connector.
3. Install the convection plate back in its place after removing the external air connector.

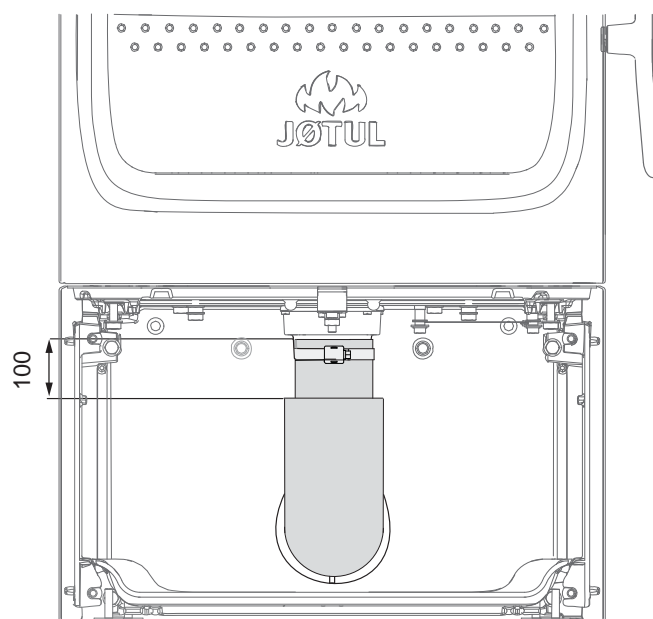
Outside air connection through bottom plate in base

Fig. 13



1. Place a cardboard plate on the back of the bottom plate before knocking out the cover **(A)** with a hammer in order to prevent the pieces from damaging something around them.

Fig. 14

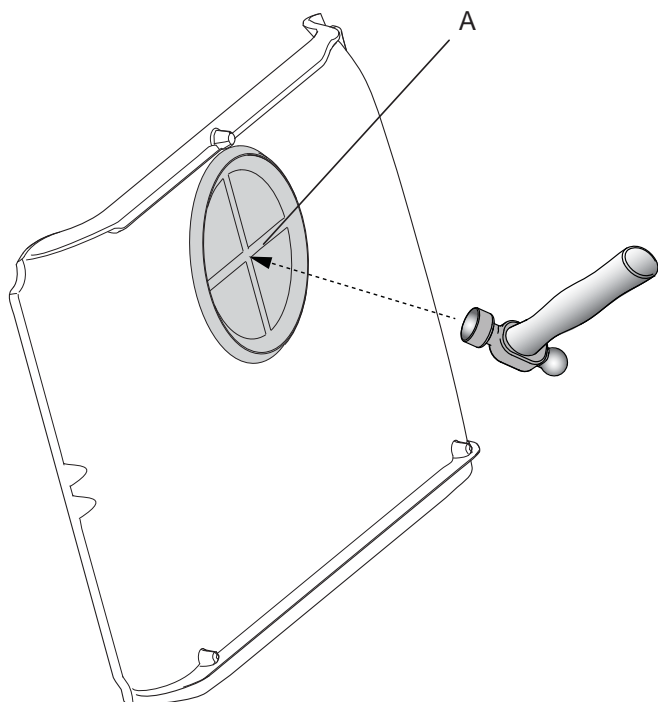


2. See the installation instructions that follow with the external air set.
3. Attach the hose to the external air connector with a hose clip to avoid using joints. The external air hose insulation ends approx. **100 mm** below the burn chamber.

ENGLISH

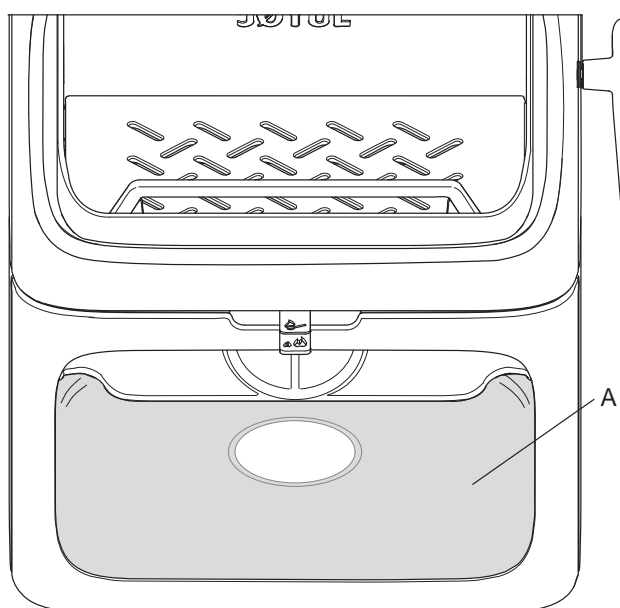
Outside air connection through bottom plate in base

Fig. 15



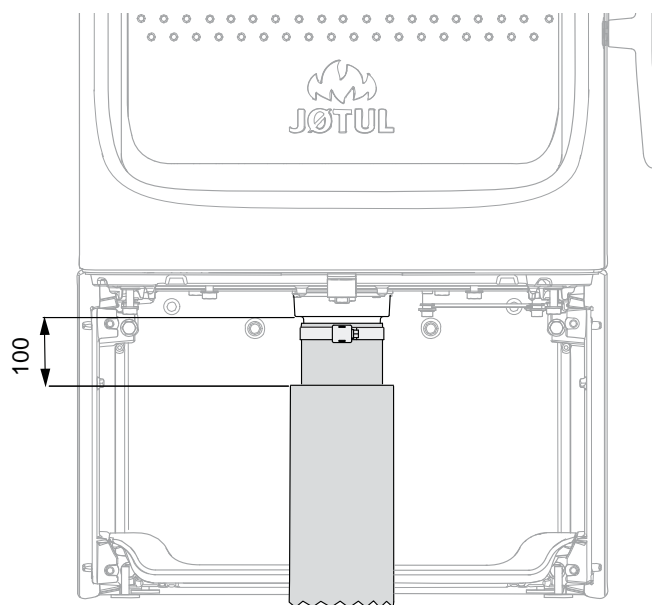
1. Place a cardboard plate on the back of the bottom plate before knocking out the cover **(A)** with a hammer in order to prevent the pieces from damaging something around them.

Fig. 16



2. Position the bottom plate in place again.
3. Place the oven in the position where it is supposed to be. See **fig. 1** for correct placement when it comes to safety distances.

Fig. 17



4. See the installation instructions that follow with the external air set.
5. Attach the hose to the external air connector with a hose clip to avoid using joints. The external air hose insulation ends approx. **100 mm below** the burn chamber.

4.4 Chimney and flue pipe

- The fireplace must only be connected to a chimney and flue pipe approved for solid fuel fireplaces with flue gas temperatures as specified in «2.0 Technical Data».
- The cross-section of the chimney must be designed to fit the fireplace. Use «2.0 Technical Data» to calculate the correct chimney cross-section.
- The chimney must be connected in accordance with the installation instructions of the chimney supplier.
- Before a hole is made in the chimney, the product should be test-mounted in order to correctly mark the position of the fireplace and the hole in the chimney. See **fig. 1** for minimum dimensions.
- Make sure that the flue pipe rises all the way up to the chimney.
- With a rear outlet, use a flue pipe bend with a sweep hatch to allow sweeping.
- Please note that it is extremely important for connections to have a degree of flexibility. This is to prevent any movement in the installation leading to the formation of cracks.
- For recommended chimney draught, see «2.0 Technical Data». For flue pipe dimension see “2.0 Technical Data”.
NB: The chimney’s diameter must be at least just as big as the flue pipe.

NB! The minimum recommended chimney length is 3.5 m from the flue pipe insert. If the draught is too strong, a flue pipe damper can be installed and used to reduce the draught.

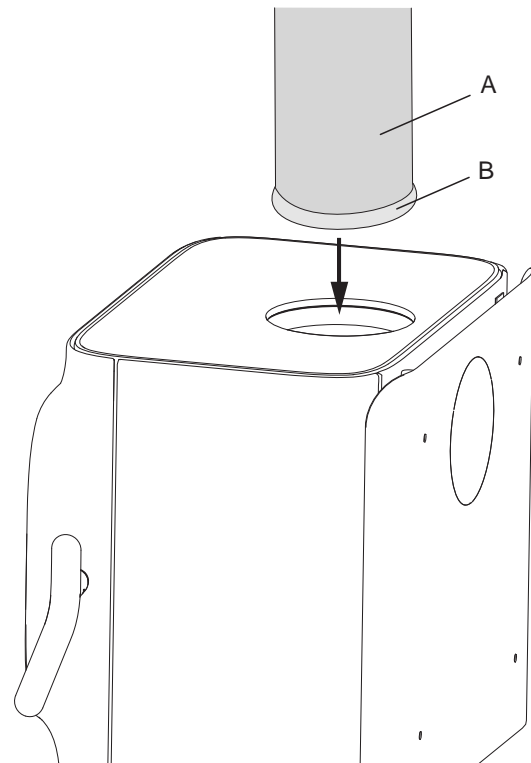
Protection grid for sweep ball

When a steel chimney is installed to the top outlet, a protection grid for sweep ball must always be installed to the top outlet (optional equipment).

4.5 Fitting a flue pipe with a top outlet

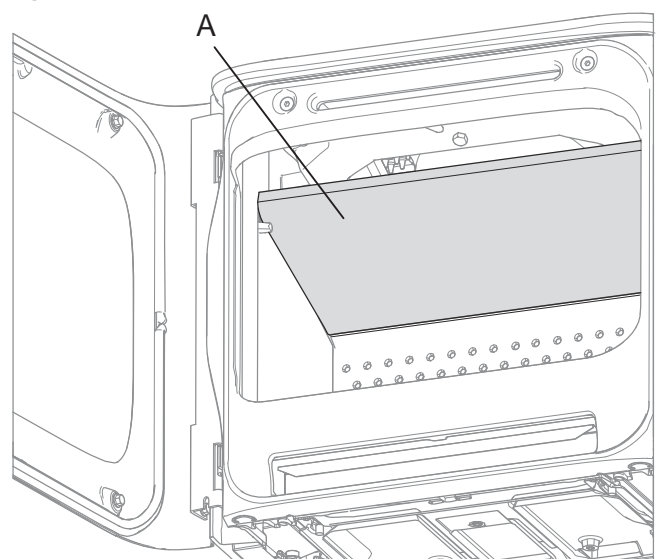
The product is supplied from the factory with the smoke outlet fitted for the top outlet.

Fig. 18



1. Thread the flue pipe (A) through the top plate and place it in the top smoke outlet.
2. Seal well with a gasket (B).

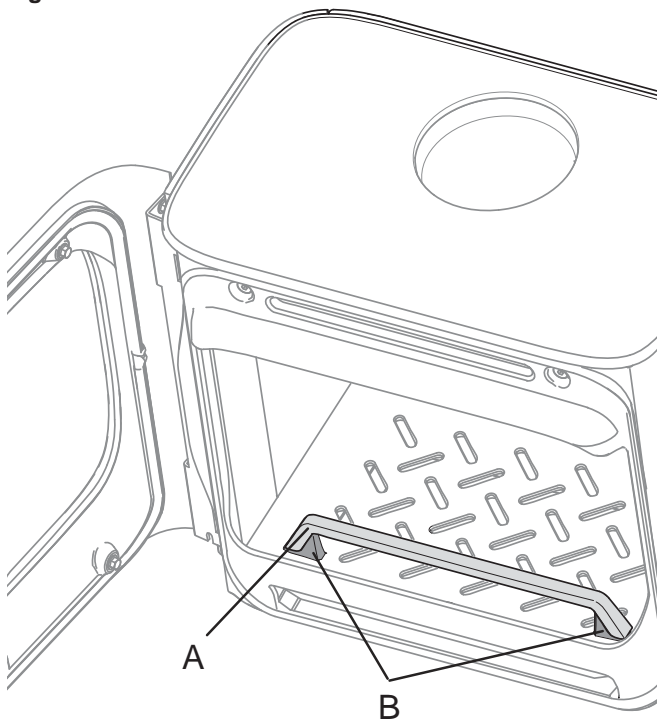
Fig. 19



3. Place the baffle (A) as displayed in the figure.

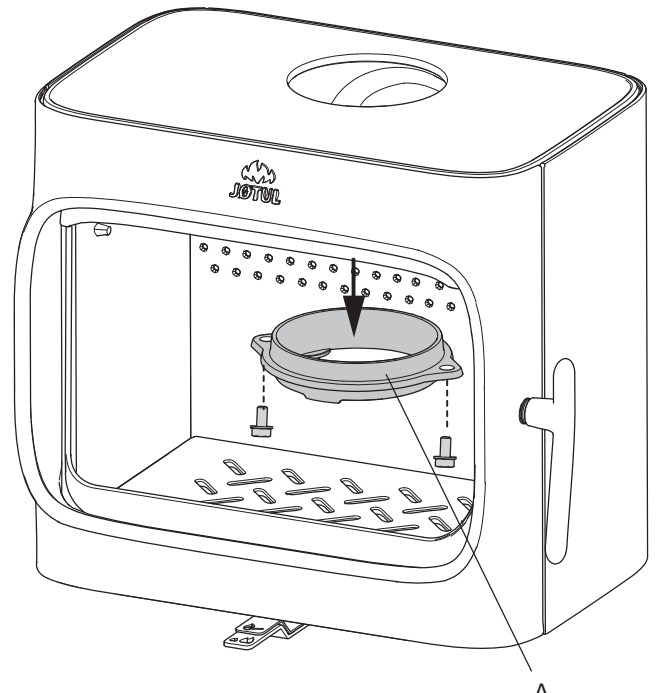
ENGLISH

Fig. 20



4. Fit the log retainer (A) on the knobs (B).

Fig. 22

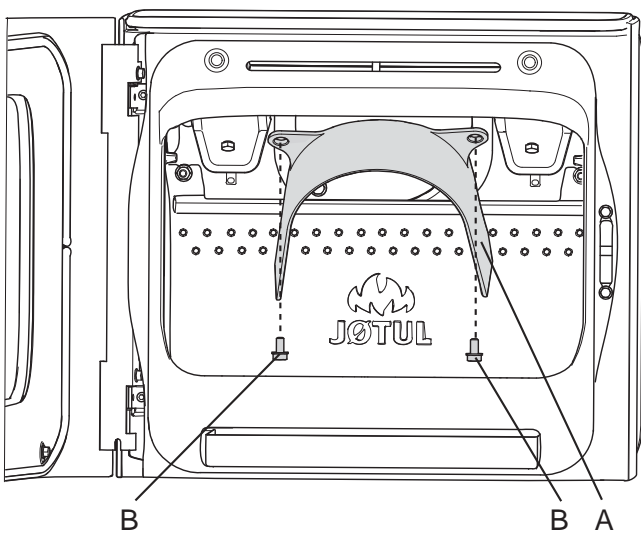


3. Unscrew the smoke outlet (A) from the top outlet.

4.6 Fitting a flue pipe with a rear outlet

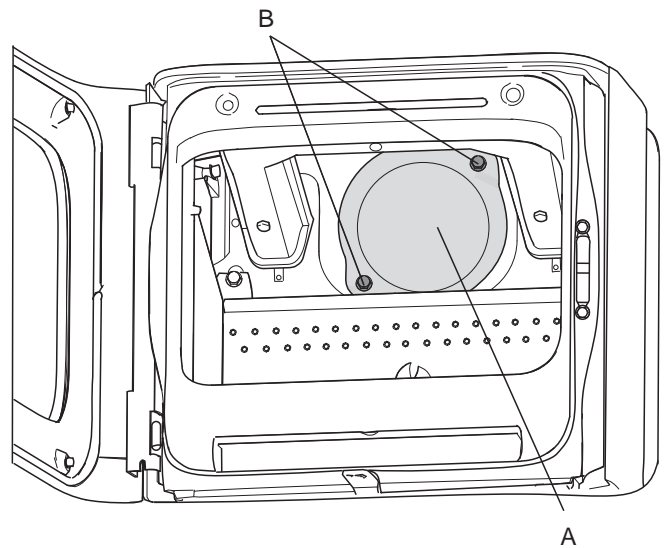
The product is supplied from the factory with the smoke outlet fitted for the top outlet. If you want a rear outlet, proceed as follows:

Fig. 21



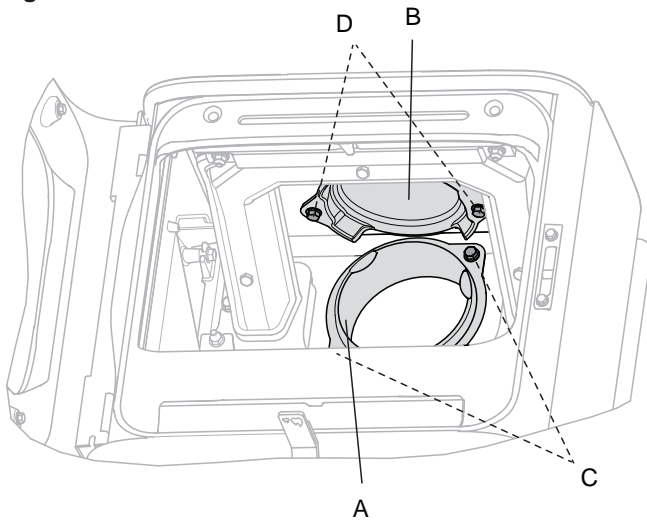
1. Place the product in the correct position. See fig. 1.
2. Unscrew the screws (B) and remove the exhaust deflector (A).

Fig. 23



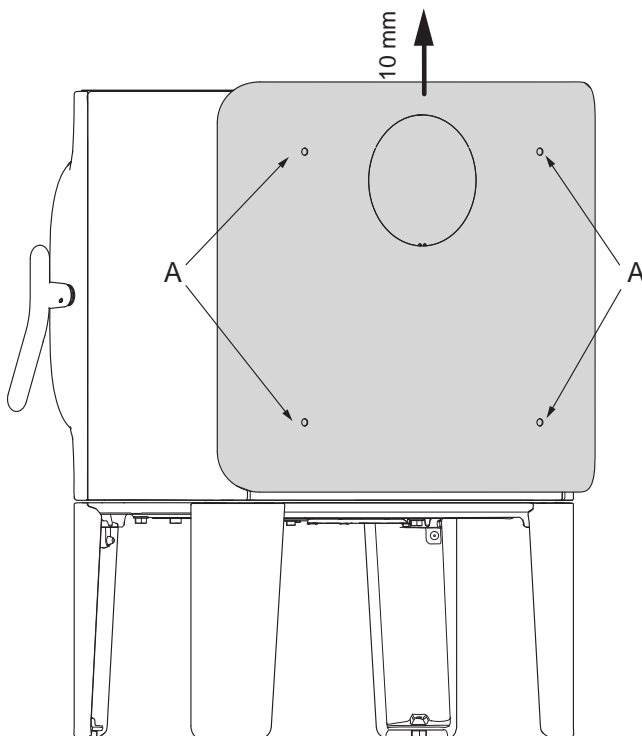
4. Unscrew the screws (B) and remove the cover (A) of the rear outlet from the inside of the burn chamber.

Fig. 24



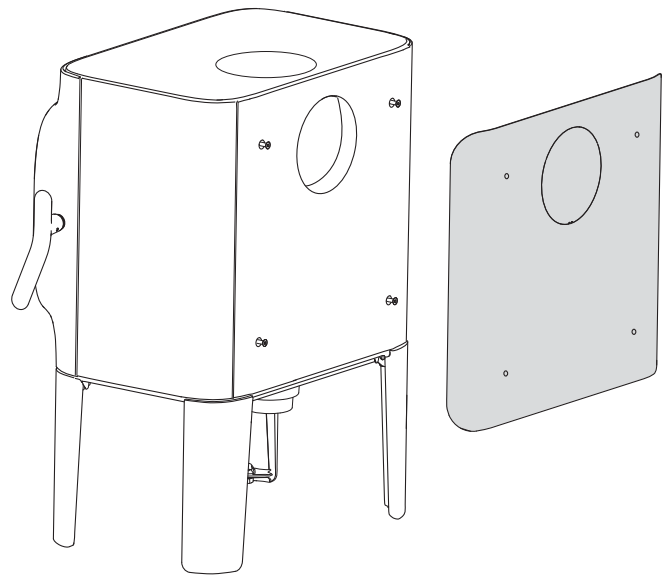
5. Fasten the smoke outlet (A) to the rear outlet with the two screws (C) from the inside of the burn chamber.
6. Fasten the cover (B) to the top outlet with the two screws (D) from the inside of the burn chamber.
7. Fasten the exhaust deflector (fig. 21 A).

Fig. 25



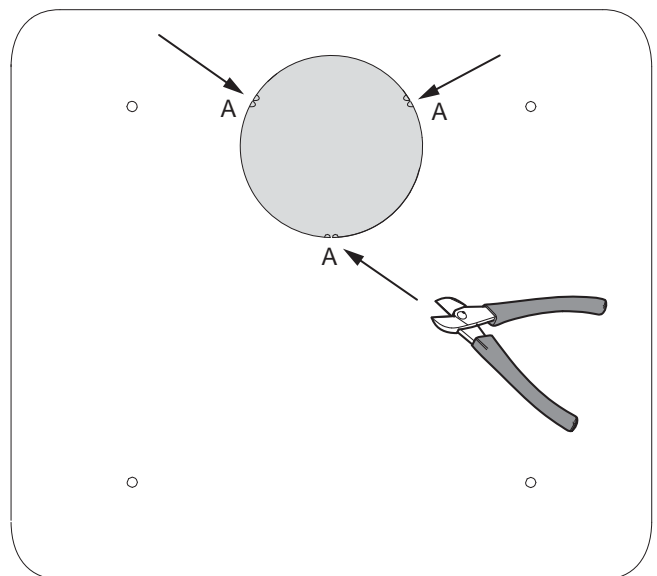
8. Loosen, but do not unscrew the four screws (A) completely and lift the convection plate up **approx. 10 mm**.

Fig. 26



9. Unhook the convection plate.

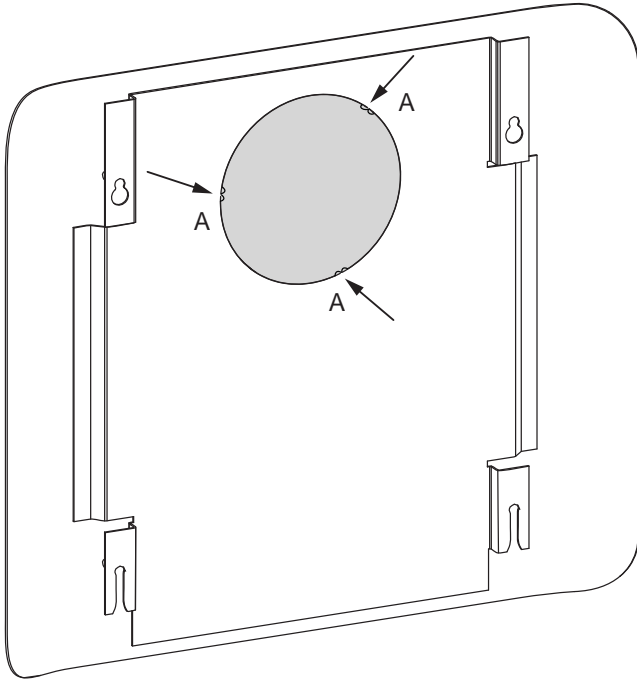
Fig. 27



10. Cut the rear outlet in the points (A) in the outlet and remove the cover.

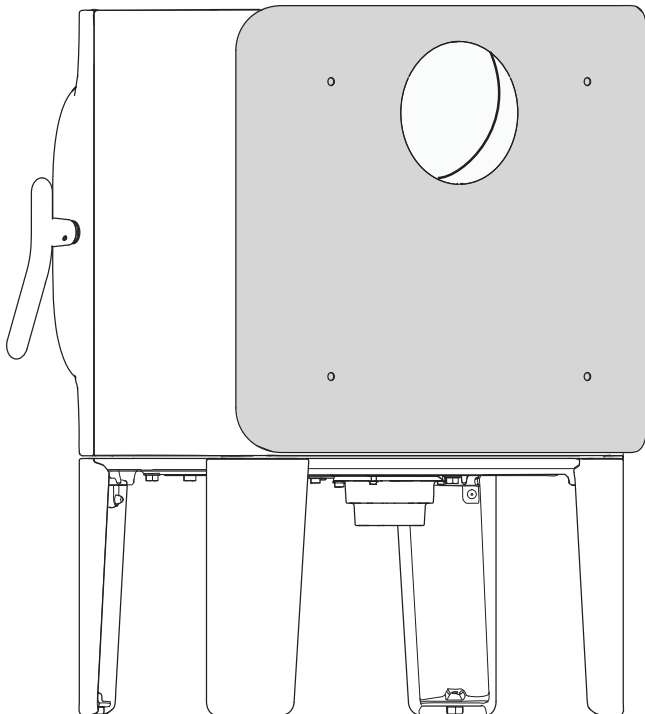
ENGLISH

Fig. 28



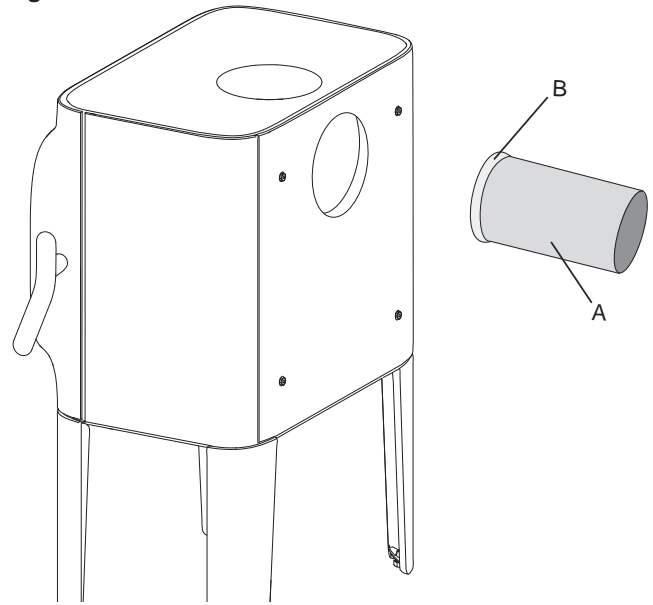
11. Do the same to the inside part of the convection plate.

Fig. 29



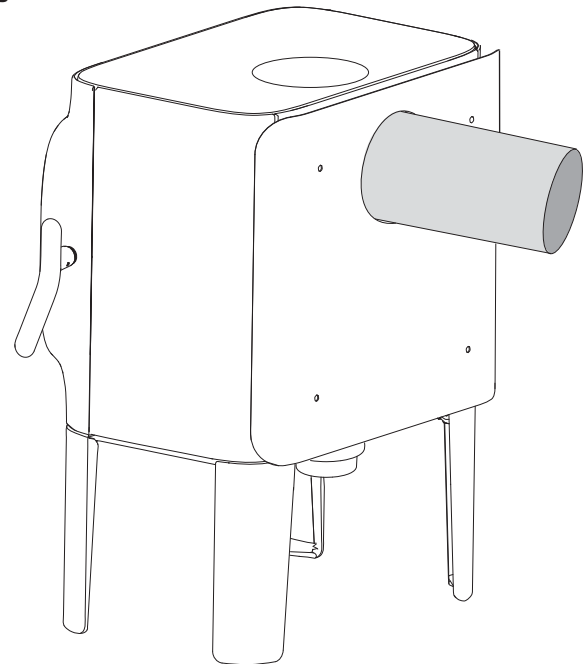
12. Hook the convection plate to the product again and secure using the same four screws.

Fig. 30



13. Place the gasket (B) on the edge of the flue pipe (A).

Fig. 31



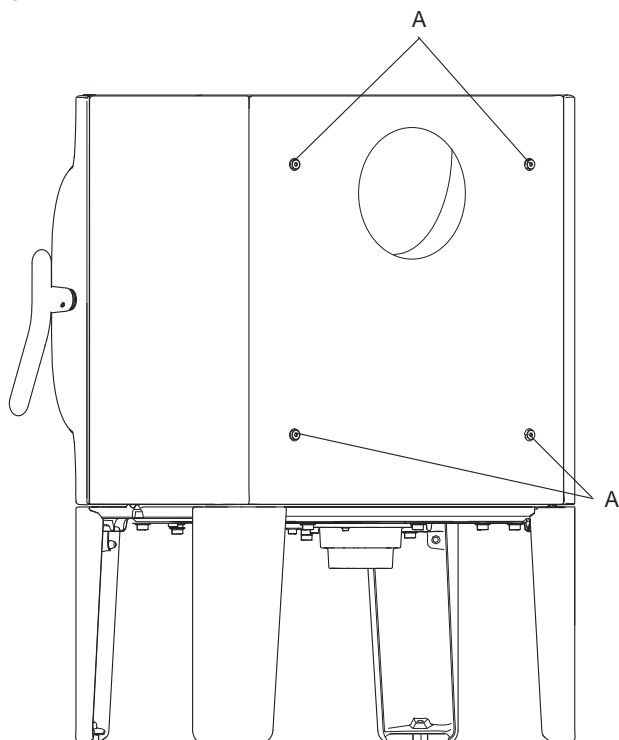
14. Insert the flue pipe into the rear outlet.

NB: It is important for the joints/flue pipes to be sealed completely. Air leaks may prevent them from operating properly.

Product without convection plate

NB: If you will not use a convection plate, the product will have different setup conditions (see **fig. 1**).

Fig. 32

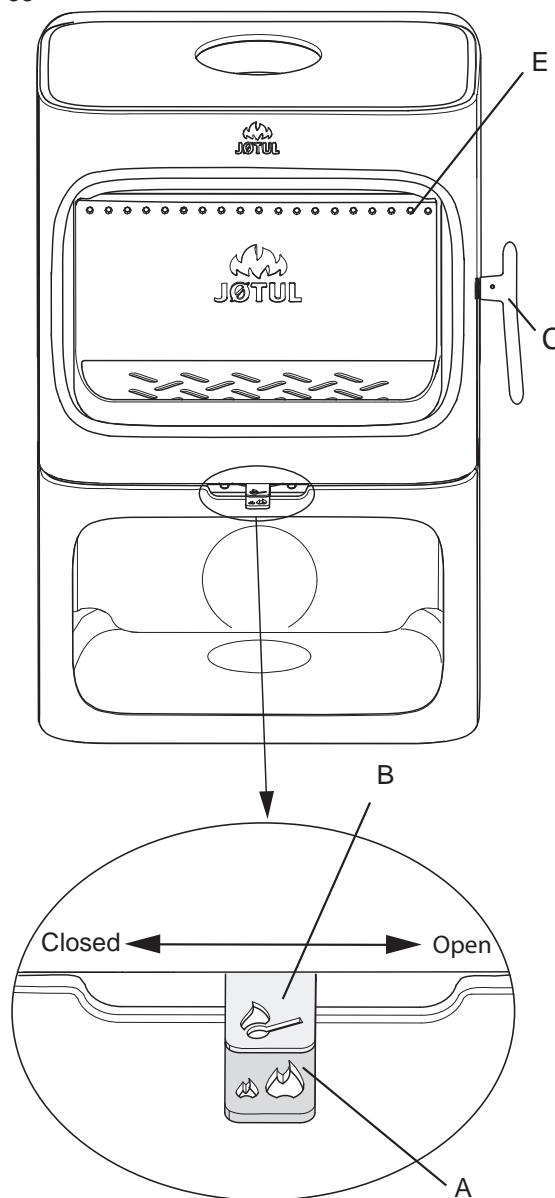


1. If you will not use the convection plate on the burn chamber, screw the four screws **(A)** back in place. Use the hex key placed in the bag of screws.

4.7 Performance check

Always check the control handles once the product has been assembled. These should move easily and work in a satisfactory manner.

Fig. 33



The Jøtul F 305 is equipped with the following operating options:

Air vent (A)

Push to the left: Closed
Push to the right: Open

Ignition vent (B)

Push to the left: Closed
Push to the right: Open

Door handle (C)

Opens by pulling the handle.

Stacking height (E) for wood (the holes may not be covered).

ENGLISH

5.0 Daily use

Odours when using the fireplace for the first time

When the fireplace is used for the first time, it may emit an irritating gas which may smell slightly. This happens because the paint dries. The gas is not toxic but the room should be thoroughly ventilated. Let the fire burn with a high draught until all traces of the gas have disappeared and no smoke or odours can be detected.

Heating advice

NB: Logs that have been stored outdoors or in a cold room should be brought indoors 24 hours before use to bring them up to room temperature.

There are various ways of heating the stove but it is always important to be careful about what you put in the stove. See the section on “**Wood quality**”.

Important! An inadequate air supply can lead to poor combustion, high emissions and a lower level of efficiency.

Wood quality

By quality wood we mean most well-known types of wood such as birch, spruce and pine.

The logs should be dried so that the moisture content is no more than 20%.

To achieve this, the logs should be cut during the late winter. They should be split and stacked in a way that ensures good ventilation. The wood stacks should be covered to protect the logs from rain. The logs should be brought indoors during early autumn and stacked/stored for use in the coming winter.

Be especially careful never to use the following materials as fuel in your fireplace:

- Household rubbish, plastic bags, etc.
- Painted or impregnated timber (which is extremely toxic).
- Laminated wooden planks.
- Driftwood

These may harm the product and are also pollutants.

NB: Never use petrol, paraffin, methylated spirit or similar liquids to light the fire. You may cause serious injury to yourself and damage to the product.

Kindling (finely split wood):

Length: Max. 41 cm
Diameter: 2-5 cm
Quantity required each time: 6 - 8 pieces

Wood (split wood):

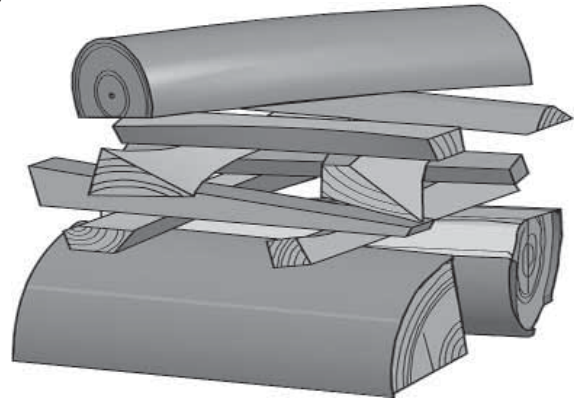
Recommended length: 30 - 40 cm
Diameter: Approx. 8 cm
Interval for adding wood: Approx. every 45 - 50 minutes
Fire size: 1,8 kg (nominal output)
Quantity required each time: 2
Max. each time: 2,4 kg

Nominal heat output is achieved when the air vent is open approx. 50% (**fig. 33 A**) and the ignition vent (**fig. 33 B**) closed.

Initial lighting

- Open the air vent and ignition vent by pulling the handles (**fig. 33**) all the way out. (Use a glove or something similar to protect your hand in case the handles are hot.).

Fig. 34



- Place two logs at the bottom of the burn chamber and pile the kindling in layers.
- Finally, place a medium-sized log on the top of the pile.
- Place 2 or 3 briquettes or kindling sticks under the top layer of kindling and light the fire. **NB: The maximum height of the pile of the wood should be just below the horizontal holes. The holes must not be covered.**
- Close the ignition vent (**Fig. 33 B**) when the wood has caught fire properly and is burning well.
- You can then regulate the rate of combustion to give the heat you want by adjusting the air vent (**fig. 33 A**).
- Check that the afterburning (secondary combustion) starts. This is best indicated by yellow, flickering flames in front of the holes under the baffle.
- If the air flow is normal you will be able to shut the door and the fire will take care of itself.

Adding firewood

Stoke the stove frequently but only add small amounts of fuel at a time. If the stove is filled too full, the heat created may cause extreme stress in the chimney. Add fuel to the fire in moderation. Avoid smouldering fires as this produces the most pollution. The fire is best when it is burning well and the smoke from the chimney is almost invisible.

- **Refuelling on to a low fire bed:** If there is insufficient burning material in the firebed to light a new fuel charge, excessive smoke emission can occur. Refilling must be carried out onto a sufficient quantity of glowing embers and ash that new fuel charge will ignite in a reasonable period. If there are too few embers in the fire bed, add suitable kindling to prevent excessive smoke.
- **Fuel overloading:** The maximum amount of fuel specified in this manual should not be exceeded, overloading can cause excess smoke
- **Operating with door left open:** Operation with the door open can cause excess smoke. This appliance must not be operated with the appliance door left open except as directed in the instructions.
- **Dampers left open:** Operation with the air controls or appliance dampers can cause excess smoke. The appliance must not be operated with air controls, appliance dampers or door left open except as directed in the instructions.

5.1 Danger of overheating

The fireplace must never be used in a manner that causes overheating

Overheating occurs when there is too much fuel and/or too much air so that too much heat develops. A sure sign of overheating is when parts of the fireplace glow red. If this happens, reduce the air vent opening immediately.

Seek professional advice if you suspect that the chimney is not drawing properly (too much/too little draught). For further information, see «**4.0 Installation**» (**Chimney and flue pipe**).

5.2 Ash removal

- The Jøtul F 305 has an ash pan that makes it easy to remove the ash.
- Only remove ash when the fireplace is cold.
- Scrape the ash through the grate in the inner bottom and down into the ash pan. Use a glove or something similar to protect your hand. Take hold of the handle of the ash pan and lift out the ash. Make sure that the ash pan never gets so full that it prevents the ash from falling through the grate and down into the pan.
- Make sure that the ash pan is pushed all the way in before closing the door.

6.0 Maintenance

6.1 Cleaning the glass

The product is equipped with an air wash for the glass. Air is sucked in through the air vent on the top of the product and down along the inside of the glass.

However, some soot will always stick to the glass, but the quantity will depend on the local draught conditions and adjustment of the air vent. Most of the soot layer will normally be burned off when the air vent is opened all the way and a fire is burning briskly in the fireplace.

Good advice! For normal cleaning, moisten a paper towel with warm water and add some ash from the burn chamber. Rub it over the glass and then clean the glass with clean water. Dry well. If it is necessary to clean the glass more thoroughly we recommend using a glass cleaner (*follow the instructions on the bottle*).

6.2 Cleaning and soot removal

Soot deposits may build up on the internal surfaces of the fireplace during use. Soot is a good insulator and will therefore reduce the fireplace's heat output. If soot deposits accumulate when using the product, they can easily be removed by using a soot remover.

In order to prevent a water and tar layer from forming in the fireplace, you should regularly allow the fire to burn hot in order to remove the layer. An annual internal cleaning is necessary to get the best heating effect from your product. It is a good idea to do this when cleaning the chimney and flue pipes.

6.3 Sweeping flue pipes to the chimney

Flue pipes must be swept through the flue pipe sweeping hatch or through the door opening. The baffle and exhaust deflector must be removed first.

6.4 Inspection of the fireplace

Jøtul recommends that you carefully inspect your fireplace yourself after it has been swept/cleaned. Check all visible surfaces for cracks. Also check that all joints are sealed and that the gaskets are in the correct position. Any gaskets showing signs of wear or deformation must be replaced.

Thoroughly clean the gasket grooves, apply ceramic glue (available from your local Jøtul dealer) and press the gasket well into place. The joint will dry quickly.

6.5 Exterior maintenance

Painted products may change colour after several years' usage. The surface should be cleaned and brushed free of any loose particles before new paint is applied.

ENGLISH

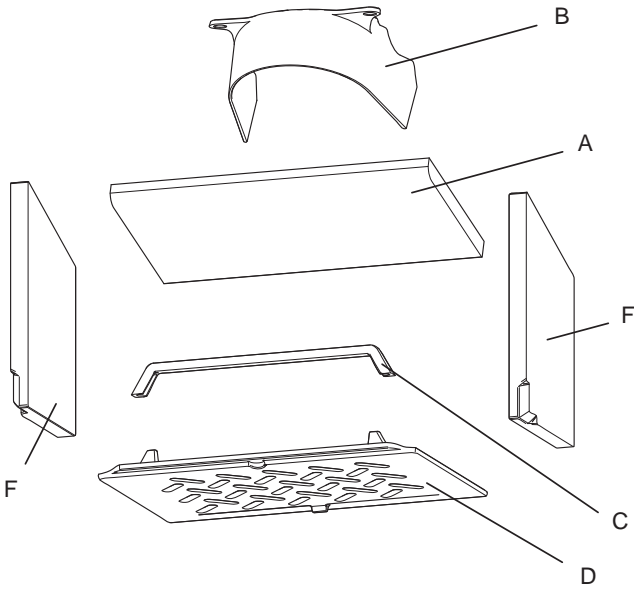
7.0 Servicing

Warning! Any unauthorised changes to the product are illegal! Only original spare parts may be used!

7.1 Service/replacing parts in the burn chamber

NB: Use tools with great care! The vermiculite plates may be damaged if treated roughly.

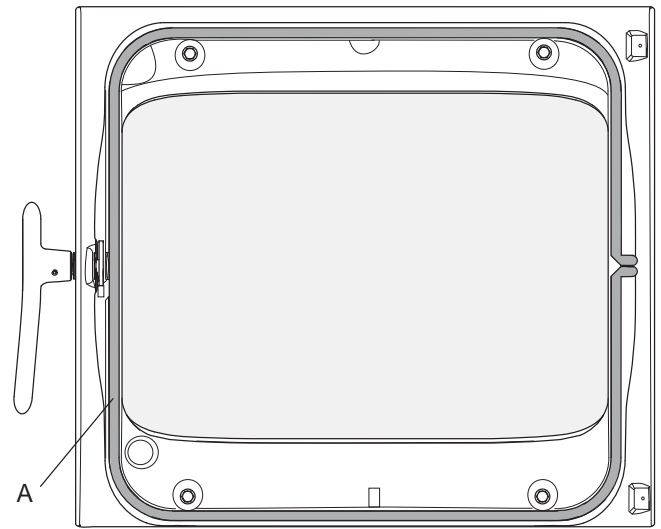
Fig. 35



1. **Baffle:** Lift the rear edge of the baffle (A) forward and down and twist it out of the burn chamber.
2. **The exhaust plate (B)** can be dismantled by unscrewing the 2 screws that holds the exhaust plate in place.
3. **Log retainer (C):** Lift the log retainer straight up and out of the burn chamber.
4. **Ash grate (D)** – First remove the log retainer (C). Pull the ash pan out and push the ash grate (D) up from below so that you can take hold of it from the top side and lift it out of the burn chamber.
5. **Side burn plates (F):** First remove the log retainer (C) and the ash pan. Then lift the side plates out.

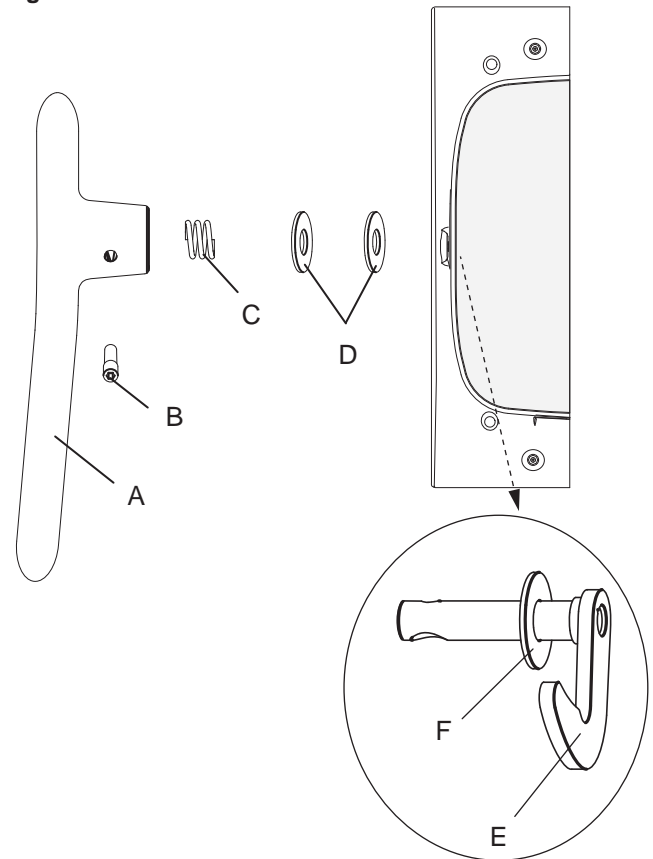
7.2 Replacing glass and gaskets in the door

Fig. 36



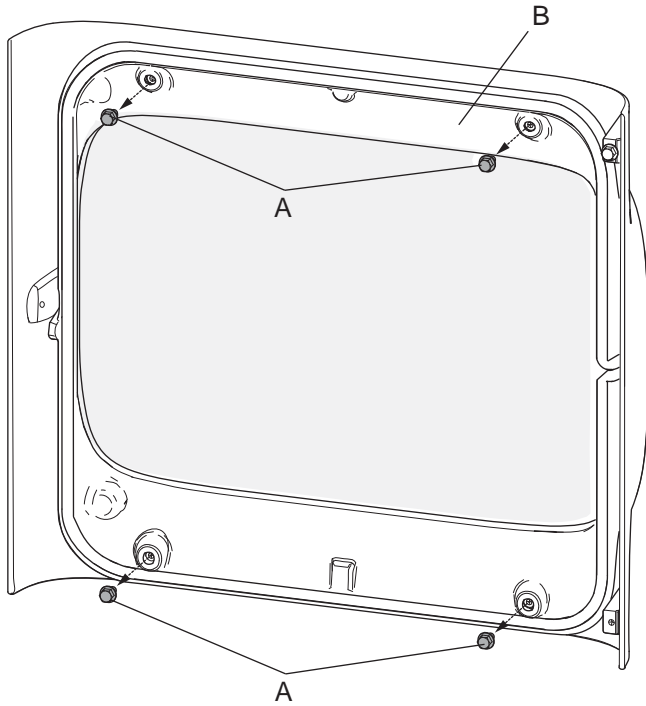
1. Remove the gasket (A) placed on the inside of the door, clean the gasket groove and glue on a new gasket.

Fig. 37



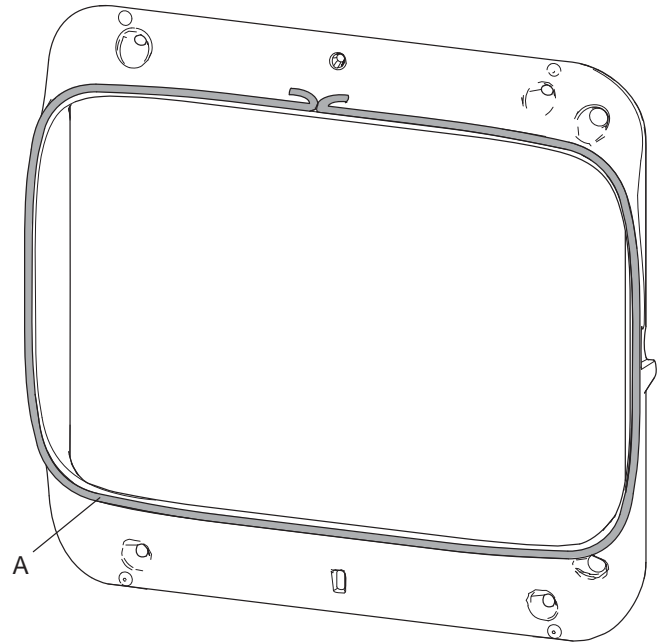
2. Unscrew the screw (B) and loosen the handle (A).
3. Take out the spring (C) and the two washers (D).
4. Take out the door hook (E) and the washer (F).

Fig. 38



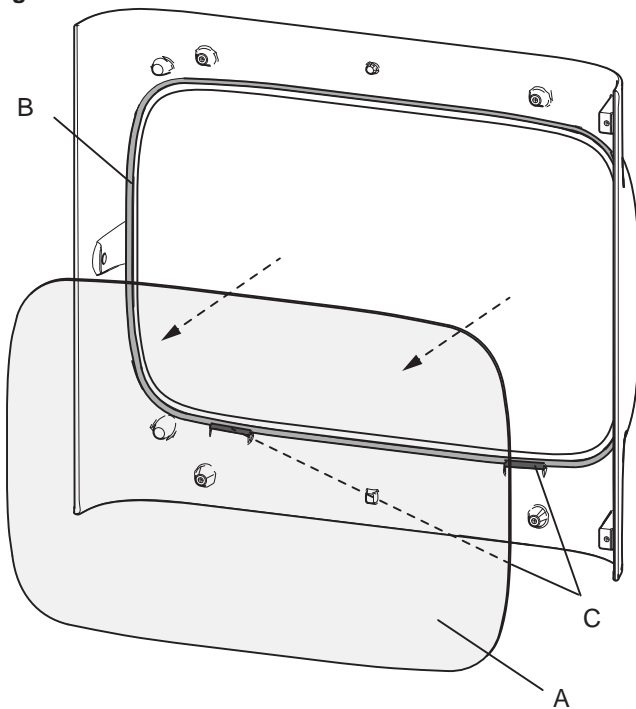
5. If a glass gasket or glass need replacement, first remove the door handle (see it. 2-4).
6. Unscrew the glass holder (B) that is attached with 4 screws (A). **NB: The glass in the door is loose. Be careful not to knock the glass when the glass holder is loosened.**

Fig. 40



9. Remove the old gasket (A) and clean the grooves. Glue on a new gasket.
10. Install back all parts once all damaged gaskets have been replaced.

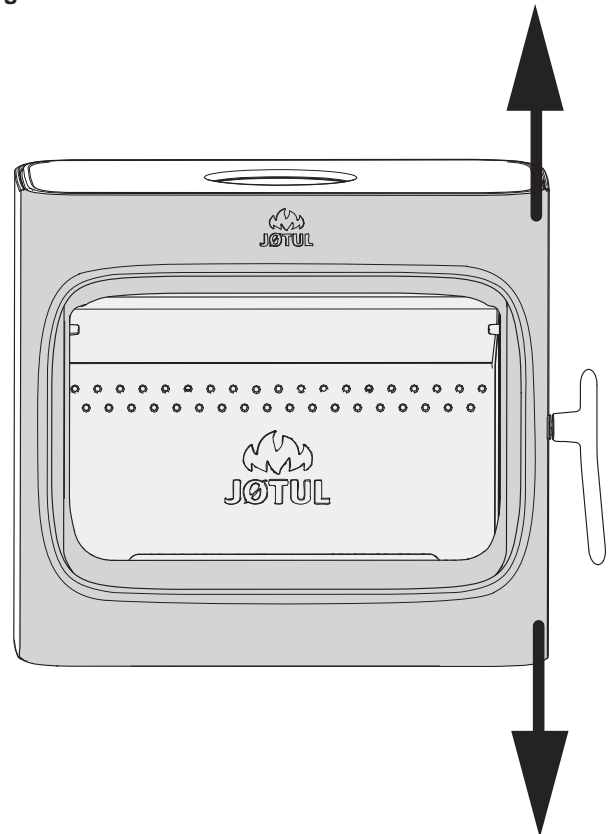
Fig. 39



7. Remove the glass (A) carefully. Remove the gaskets (B) and (C), and clean the gasket grooves.
8. Glue on new gaskets.

Adjusting the door

Fig. 41



1. The door can be adjusted upwards or downwards slightly on the door lock side by forcing it into correct position. **NB! The door cannot be fully closed when adjusting it!**

ENGLISH

8.0 Optional extras

8.1 Kit for outside air connection

Outside air connection, Ø80 mm - Cat. no. 51047509
Outside air connection, Ø 100 mm - Cat. no. 51012164

8.2 Soapstone top

Cat. no. 51048022, BP
Cat. no. 51049314, WHE

8.3 Ash lip for product with legs

Cat. no. 51047339, BP
Cat. no. 51047341, WHE

8.4 Protection grid for sweep ball

Cat. no. 151608 (Ø 150 mm)

8.5 Short legs

Cat. no. 51047318, BP
Cat. no. 51047340, WHE

9.0 Recycling

9.1 Recycling packaging

Your fireplace is delivered with the following packaging:

- A wooden pallet that can be cut up and burned in the fireplace.
- Cardboard packaging that should be taken to a local recycling facility.
- Plastic bags that should be taken to a local recycling facility.

9.2 Recycling the fireplace

The fireplace is made of:

- Metal that should be taken to a local recycling facility.
- Glass that should be disposed of as hazardous waste. The glass in the fireplace must not be placed in a regular source segregation container.
- Vermiculite burn plates that can be disposed of in regular waste containers.

10.0 Warranty

Jøtul AS provides its customers with a ten-year warranty with the right to return external cast-iron items if they show defects as a result of faulty materials and/or manufacturing after the initial purchase/installation of the fireplace. The buyer is entitled to return the goods provided that the fireplace has been installed in compliance with current laws and regulations and in compliance with Jøtul's installation and operating instructions.

The warranty does not cover:

The installation of optional extras, for example, to rectify local draught conditions, air supply or other circumstances beyond Jøtul's control. The warranty does not cover consumables, such as burn plates, smoke baffles, fire grates, bottom grates, brick refractories, dampers and gaskets as they deteriorate over time due to normal wear and tear. The warranty does not cover damage caused as a result of using unsuitable fuel when lighting the fire, such as driftwood, impregnated and painted wood, plank offcuts, chipboard, etc. Overheating may easily occur if unsuitable fuel is used, i.e. the fireplace becomes red hot, which causes the paint to discolour and the cast iron parts to crack.

The warranty is not valid for damage caused while the product is in transit from the distributor to the delivery address. The warranty is not valid either for damage caused by the use of non-original parts.

Sommaire

1.0	Données techniques	23
2.0	Relations avec les autorités	23
3.0	Sécurité	24
4.0	Installation	28
5.0	Utilisation au quotidien	37
6.0	Maintenance.....	38
7.0	Entretien.....	39
8.0	Équipements disponibles en option	41
9.0	Recyclage	42
10.0	Garantie	42

1.0 Relations avec les autorités

- L'installation d'un poêle est soumise aux lois et réglementations nationales en vigueur. Toutes les réglementations locales, y compris celles se rapportant aux normes nationales et européennes, doivent être respectées lors de l'installation du produit.
- L'installation ne pourra être mise en service qu'après contrôle par un inspecteur habilité suivant les réglementations du pays.
- Avant d'installer un nouveau poêle, adressez-vous aux autorités locales compétentes suivant les réglementations du pays.

2.0 Données techniques

Matériau :	Fonte
Finition :	Peinture noire / email
Sortie du conduit de raccordement :	Haut, arrière
Conduit de raccordement :	Ø 150 mm section transversale
Raccordement prise d'air extérieur :	Alu. flex - Ø 80 / 100 mm

Poids de l'appareil :

Chambre de combustion avec pieds :	143 kg
Chambre de combustion avec socle :	169 kg
Dessus en pierre ollaire :	36 kg
Options	Cendrier, dessus en pierre ollaire, raccord d'air extérieur Ø 80 / 100 mm. Grille de protection pour outil de ramonage, pieds courts

Dimensions de l'appareil, distances : **Voir Fig. 1**

Données techniques conformes à la norme EN 13240

Puissance nominale :	7 kW
Débit massique des fumées :	7,1 g/s
Tirage de cheminée, EN 13240 :	12 Pa
Pression négative recommandée en sortie des fumées :	14-16 Pa
Rendement :	79 % à 7,5 kW
Émissions de CO (13 % O ₂) :	0,06%
Émissions de CO (13 % O ₂) :	786 mg/Nm ³
NOx à 13 % O ₂ :	85 mg Nm ³
COV à 13 % O ₂ :	64 mg/Nm ³
Consommation d'air:	6,1 litre / sec ou 22m ³ h
Émissions de particules NS 3059 :	1,5 g / kg
Température de cheminée, EN 13240 :	261 °C
Température de sortie des fumées :	313 °C
Poussières :	<7 mg/Nm ³ à 13 % O ₂

Combustible :	Bois exclusivement
Longueur maximale des bûches :	41 cm
Consommation horaire :	2,25 kg/h
Quantité de bois d'allumage max. :	2,4 kg
Quantité de bois d'allumage nominal :	1,8 kg
Fonctionnement :	Intermittent

Par fonctionnement intermittent, on entend une utilisation normale du poêle dans laquelle on ajoute du bois lorsqu'il ne reste plus que des braises.

Product: Jøtul Room heater fired by solid fuel				CE
Standard Minimum distance to adjacent combustible materials: Minimum distance to adjacent non-combustible materials: Emission of CO in combustion products: Flue gas temperature Nominal heat output Efficiency Operation range Fuel type Operational type The appliance can be used in a shared flue.				
Country	Classification	Certification standard	Approved by	
Norway	Måse II			
Sweden	vis	SP	SP-Sveriges Provnings- och forskningsinstitut AB	
EUR	Intermittent	EN	SP-Swedish National Testing and Research Institute	
Follow user's instructions. Use only recommended fuels. Montage- und Bedienungsanleitung beachten. Verwenden Sie nur empfohlenen Brennstoffen. Respecter les consignes d'utilisation. Utilisez uniquement les combustibles recommandés.				
Serial no. Y-xxxx. Year: 200x				
Manufacturer: Jøtul AS POB 1441 N-1602 Fredrikstad Norway				221546

Tous nos produits sont livrés avec une étiquette reprenant le numéro de série et l'année. Reportez ce numéro à l'endroit indiqué dans les instructions d'installation.

N'oubliez pas de le mentionner à chaque fois que vous contactez votre revendeur ou Jøtul.

Serial no.

3.0 Sécurité

Remarque : Afin d'assurer un niveau de rendement et de sécurité optimal, l'installation d'un poêle Jøtul doit être confiée à un installateur qualifié (voir www.jotul.com pour la liste complète de nos revendeurs).

Toute modification de l'appareil par le distributeur, l'installateur ou l'utilisateur final, risque de compromettre le bon fonctionnement de l'appareil et de ses éléments de sécurité. Ceci s'applique également à l'installation d'accessoires ou d'équipements en option qui ne sont pas fournis par Jøtul. Ce risque peut par ailleurs survenir dans le cas où des pièces ou éléments essentiels pour le bon fonctionnement et la sécurité du poêle, ont été désassemblés ou retirés.

Dans tous ces cas, le fabricant ne pourra être tenu responsable pour le produit et le droit de recours à la garantie sera rendu nul et sans effet.

3.1 Mesures de prévention anti-incendie

Toute utilisation du poêle comporte un certain degré de risques. C'est pourquoi, il est indispensable de toujours respecter les consignes de sécurité suivantes :

- Les distances minimales à respecter en utilisant le poêle ressortent de la figure 1.
- Assurez-vous que les meubles et autres matériaux inflammables ne sont pas trop rapprochés du poêle. Pas de matériaux inflammables dans un rayon de 1100 mm du poêle.
- Laissez le feu s'éteindre de lui-même. Ne tentez jamais d'éteindre le feu avec de l'eau.
- Le poêle devient très chaud lorsqu'il est allumé et peut provoquer des brûlures à la personne qui le touche.
- Attendez que le poêle soit froid pour retirer les cendres. Les cendres pouvant encore contenir des braises, il convient de les recueillir dans un réceptacle ininflammable.
- Il convient d'épandre les cendres à l'extérieur ou de les vider dans un endroit ne présentant aucun risque d'incendie.

En cas de feu de cheminée:

- Fermer l'ensemble des trappes et des entrées d'air.
- Maintenir la porte de la chambre de combustion fermée.
- Vérifier toute présence de fumée dans le grenier et dans la cave.
- Contacter le service de sécurité incendie.
- Suite à un feu de cheminée, le poêle et la cheminée doivent être contrôlés par un spécialiste avant toute nouvelle utilisation afin de s'assurer que l'installation est opérationnelle.

3.2 Le sol

Sol

Assurez-vous que le sol convient pour un poêle. Se reporter à la section « **2.0 Données techniques** » pour la spécification du poids.

Il est recommandé d'enlever les revêtements situés sous le poêle, si ceux-ci ne sont pas solidaires du sol (parquets flottants).

Pieds courts (Équipements disponibles en option)

Le poêle Jøtul F 305 avec pieds courts peut uniquement être installé sur des sols où aussi bien la surface que la construction en soi sont en matériaux non combustibles. La surface non combustible doit présenter un prolongement d'au moins 500 mm devant le poêle.

Remarque : Nous déconseillons d'installer le poêle sur un plancher chauffant (à eau ou électrique).

Exigences relatives à la protection des sols en bois

Le modèle Jøtul F 305 avec socle comporte un bouclier thermique sur le dessous pour protéger le sol du rayonnement.

Le F 305 sur pieds doit être installé sur une plaque de sol dessous et devant suivant la réglementation nationale.

Note ! Rien ne doit être rangé sous le F 305, risque d'incendie.

L'appareil a une protection du sol intégrée et peut donc être posé directement sur un sol en bois.

Les éventuels revêtements de sol combustibles, tels que le linoléum, la moquette, etc., doivent être retirés de la surface couverte par la plaque de sol.

Exigences relatives à la protection d'un revêtement de sol combustible devant le poêle

La plaque frontale doit être conforme aux lois et réglementations nationales en vigueur.

Veillez contacter les autorités locales compétentes pour connaître les restrictions d'usage et les exigences liées à l'installation.

3.3 Les murs

Pour la distance aux murs et aux cloisons inflammables, reportez-vous à la figure 1 b.

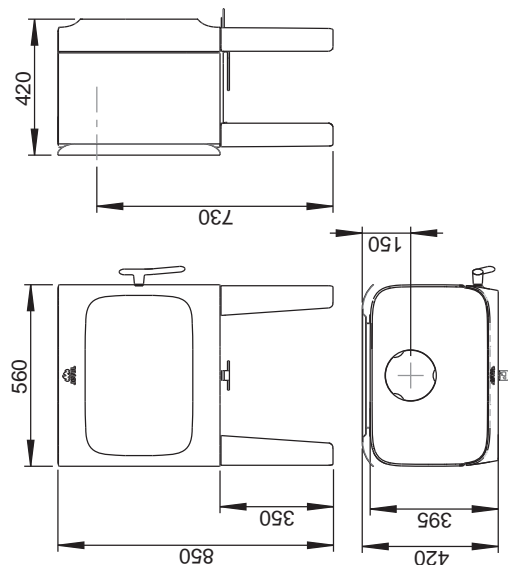
Distance minimale par rapport au mur en matériau combustible protégé par un pare-feu, Fig 1 c.

Le poêle peut être utilisé avec un conduit de fumée non isolé, à condition que les distances entre le poêle et les murs/cloisons inflammables soient conformes à la figure 1b.

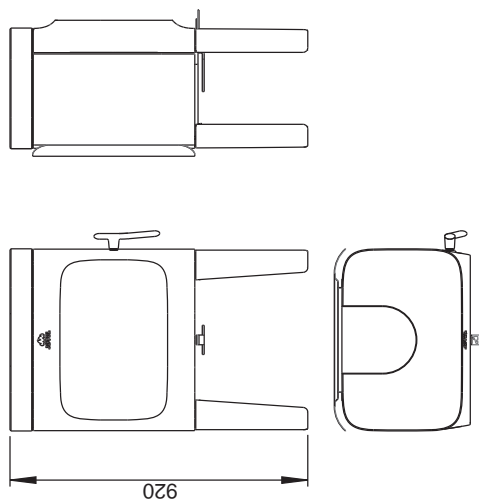
Fig. 1a

Jøtul F 305

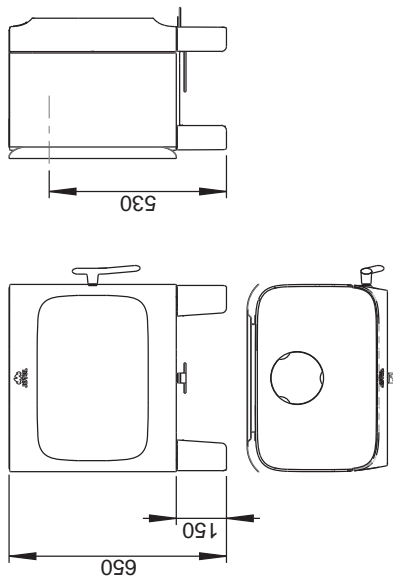
Jøtul F 305 avec pieds longs



Jøtul F 305 avec pieds longs et dessus en pierre ollaire

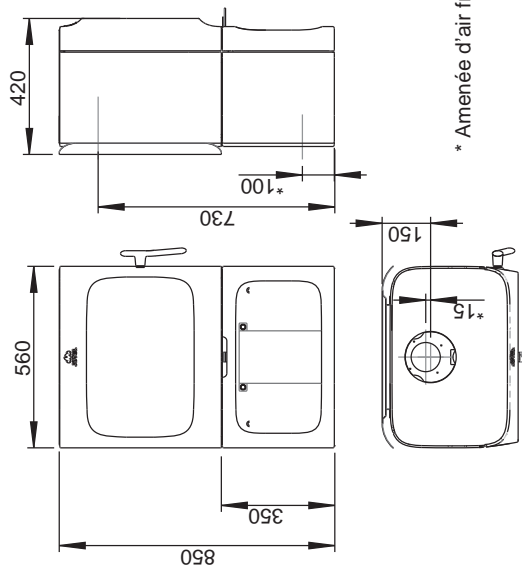


Jøtul F 305 avec pieds courts

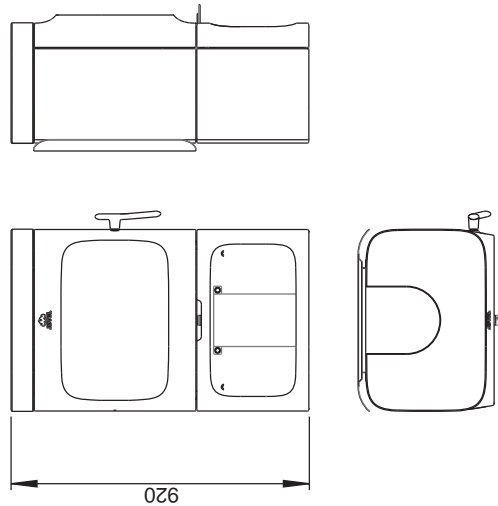


Le poêle Jøtul F 305 avec pieds courts peut uniquement être installé sur des sols où aussi bien la surface que la construction en soi sont en matériaux non combustibles. La surface non combustible doit présenter un prolongement d'au moins 500 mm devant le poêle.

Jøtul F 305 avec socle

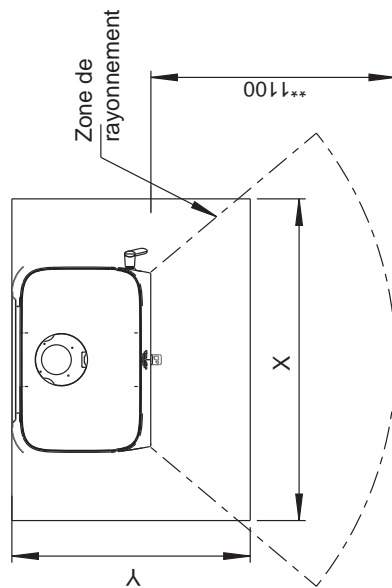


Jøtul F 305 avec socle et dessus en pierre ollaire



Remarque : Nous déconseillons d'installer le poêle sur un plancher chauffant (à eau ou électrique).

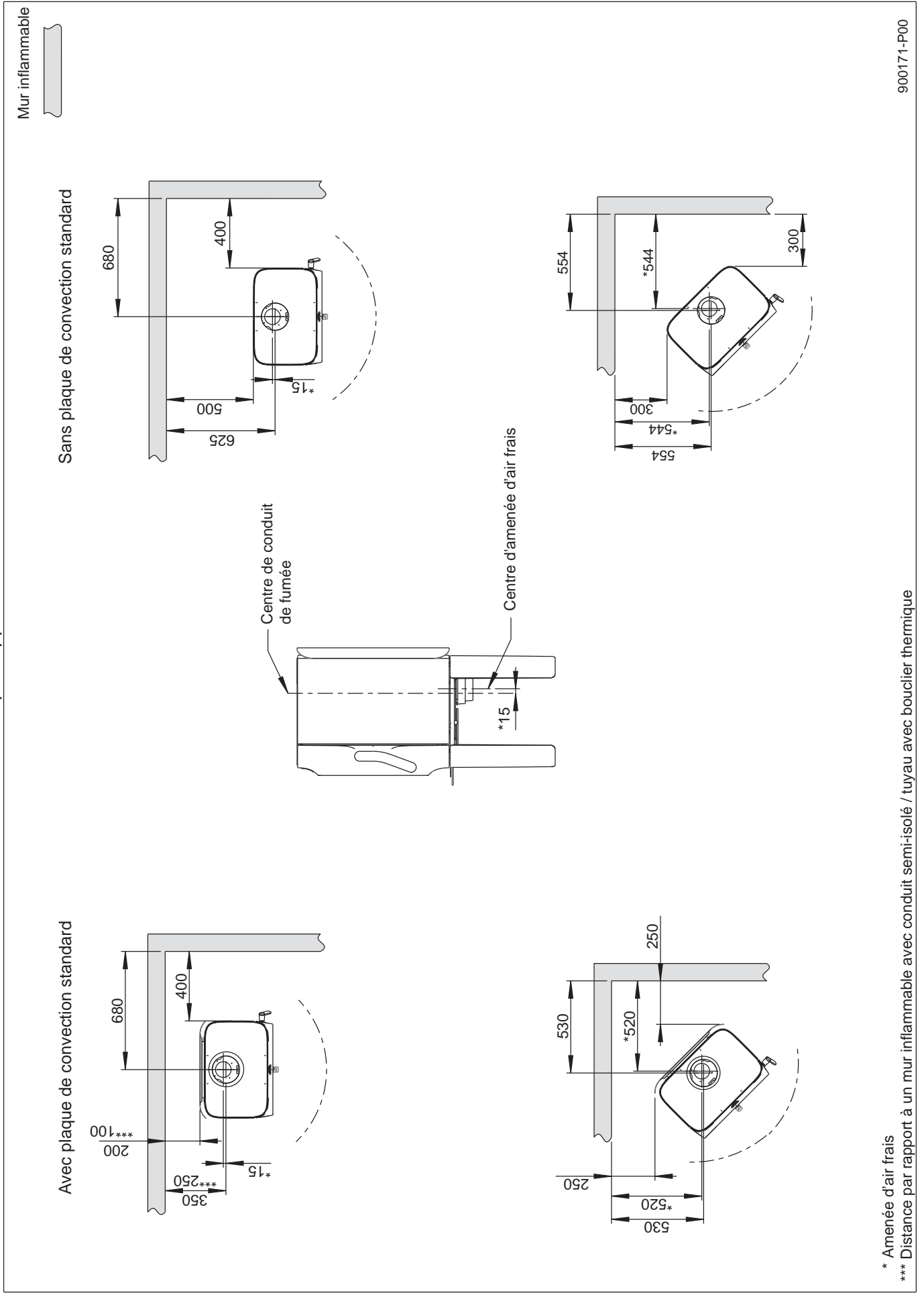
Plaque de sol



Dimensions minimales de la plaque de sol
X/Y = Conformes aux lois et règlements en vigueur.
** Pas de matériaux inflammables.

Distance minimale par rapport à un mur inflammable

Fig. 1b



* Amenée d'air frais

*** Distance par rapport à un mur inflammable avec conduit semi-isolé / tuyau avec bouclier thermique

900171-P00

Distance minimale par rapport au mur en matériau combustible protégé par un pare-feu

Fig. 1c

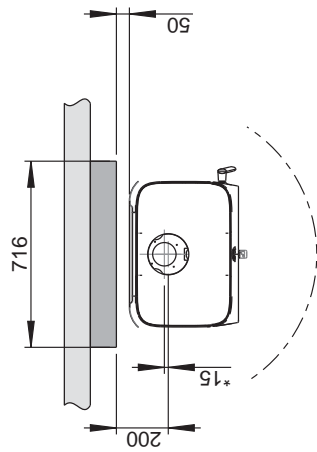
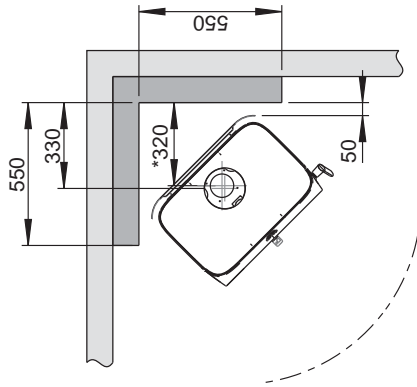
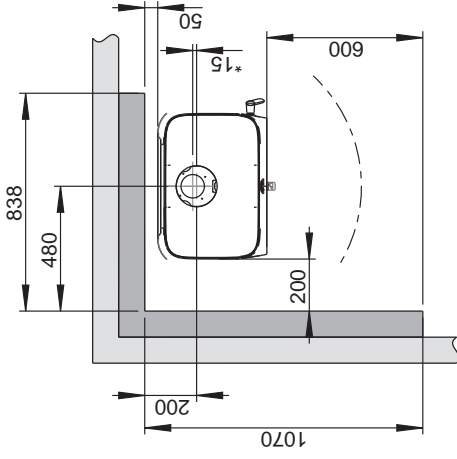
Mur inflammable



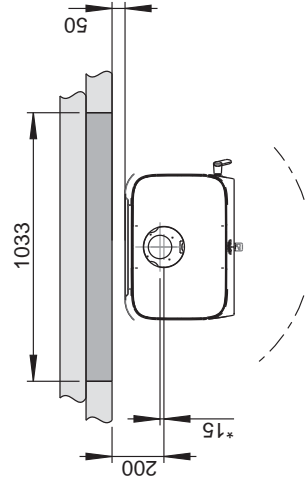
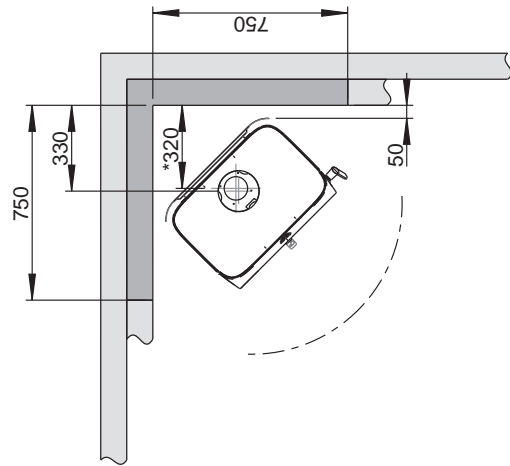
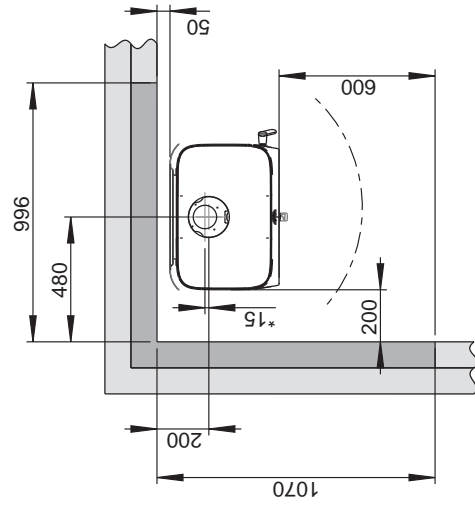
Mur ininflammable



Extern



Intégré



* Aménagé d'air frais

900171-P00

FRANCAIS

Arrivée d'air

Le volume d'air de combustion des produits Jøtul est d'environ 20 à 40 m³/h. L'arrivée d'air frais peut être raccordée directement au poêle Jøtul F 305 par :

- la base
- par un tuyau flexible depuis l'extérieur ou la cheminée (seulement si celle-ci dispose d'une conduite propre pour l'air frais) et vers le raccord d'air frais de l'appareil.

Fig. 2A, par un mur

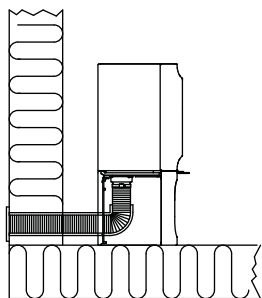


Fig. 2B, par le sol et la plaque de sol

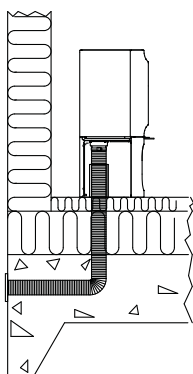


Fig. 2C, par le sol et la cave

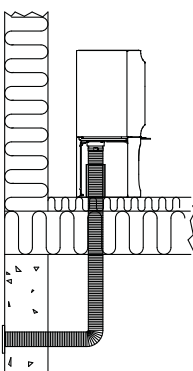
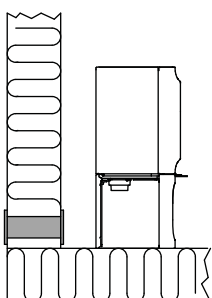


Fig. 2D, indirectement par un mur



4.0 Installation

Remarque : Assurez-vous que l'appareil est en bon état avant de procéder à l'installation.

Remarque : L'appareil est lourd ! Prévoyez de l'aide pour le montage et la mise en place.

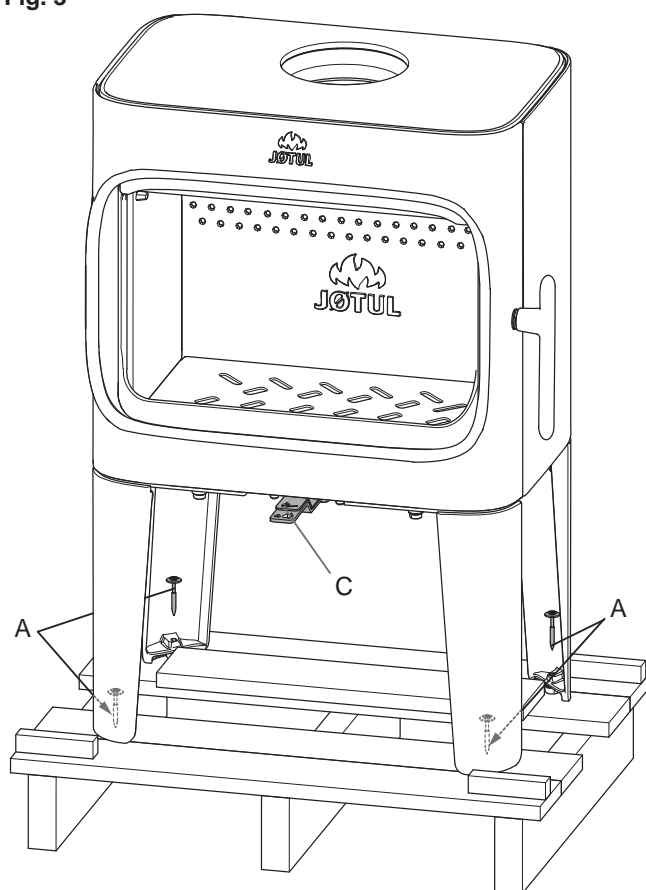
Remarque : Ne rien placer sur le couvercle du poêle, car cela pourrait causer des dommages permanents à la peinture/l'émail.

Faites en sorte que l'appareil ne puisse pas se renverser.

Remarque : Lisez attentivement le guide d'installation et d'utilisation avant d'installer le poêle !

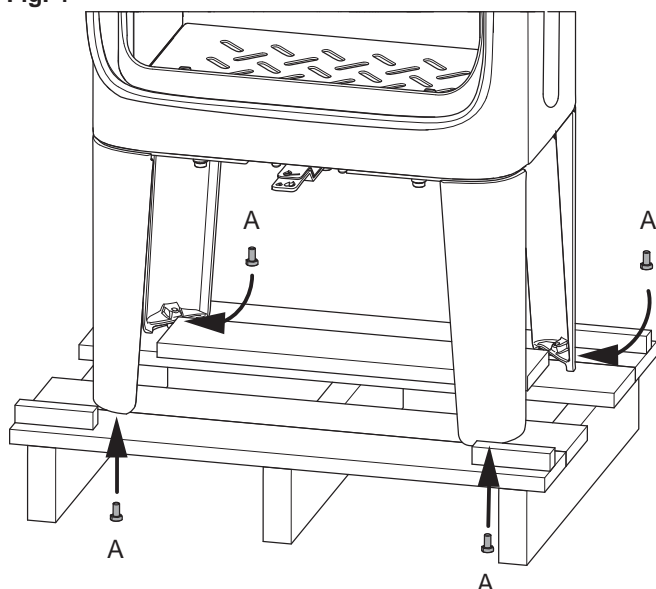
4.1 Avant l'installation - Jøtul F 305 avec pieds

Fig. 3



1. Retirer les quatre vis de transport (**A**) qui fixent le poêle sur la palette en bois.
2. Laisser le poêle en place sur la palette de transport.
3. Retirer les gants du cendrier.
4. Sortir le déflecteur, le pare-cendres, la sole poêle et le sachet de vis du poêle.
5. Vérifier que les commandes de réglage (**C**) se déplacent librement.

Fig. 4

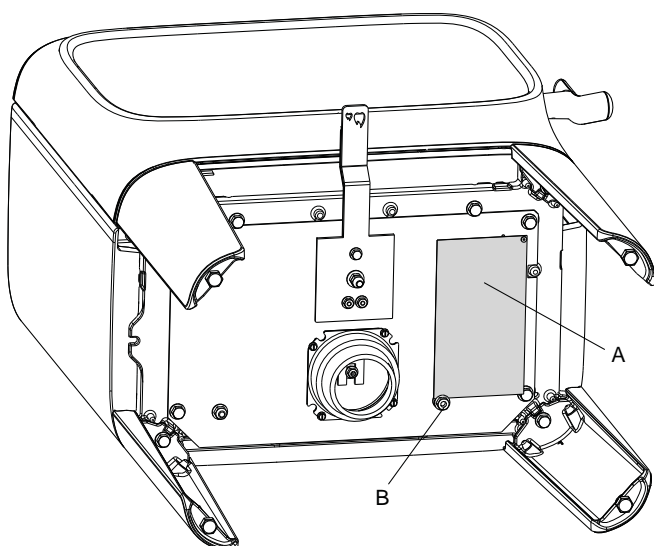


6. Installer les vis de réglage de la hauteur avec des bouchons en plastique **(A)** placés dans le sachet de vis.
7. Retirer le poêle de la palette.
8. Mettre en place le poêle et ajuster sa position avec les vis de réglage en hauteur. **Remarque** : Prendre en compte la hauteur de la plaque de sol. Effectuer un marquage sur le mur s'il est prévu d'avoir une sortie arrière pour le conduit de fumée et une amenée d'air frais extérieur.

Plaque d'homologation

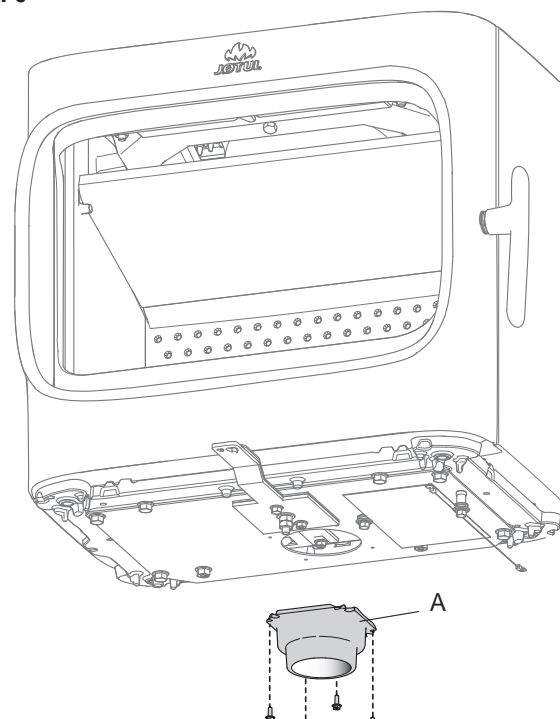
Jøtul F 305 avec pieds longs

Fig. 5



1. Retirer la plaque d'homologation **(A)** du cendrier et la fixer à l'aide de l'écrou **(B)**, comme indiqué. L'écrou doit être uniquement serré avec les doigts. **Remarque** : Ne pas couper le fil utilisé pour la fixation de la plaque.

Fig. 6

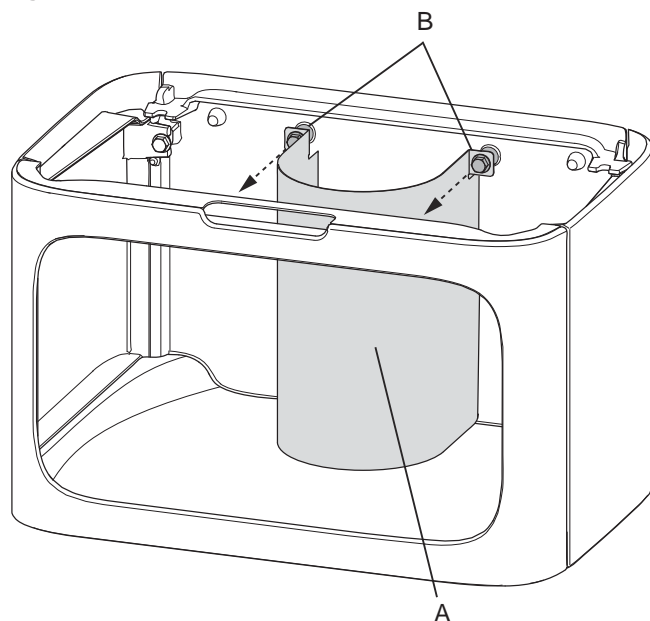


2. Si l'arrivée d'air extérieur n'est pas utilisée, le connecteur d'air extérieur **(A)** peut être déposé, le cas échéant. Retirer les quatre vis utilisées pour fixer le connecteur d'air extérieur, puis le connecteur lui-même. **(Pour les produits avec socle** : Si nécessaire, vous pouvez dévisser l'écran thermique sous le poêle afin de faciliter le démontage du connecteur d'air extérieur.

FRANCAIS

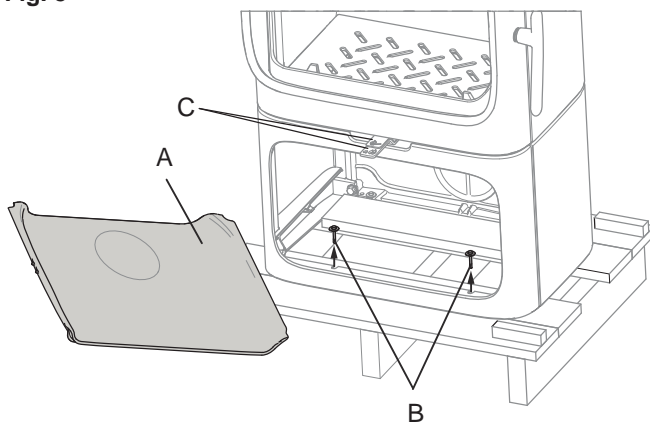
4.2 Avant l'installation - Jøtul F 305 avec socle

Fig. 7



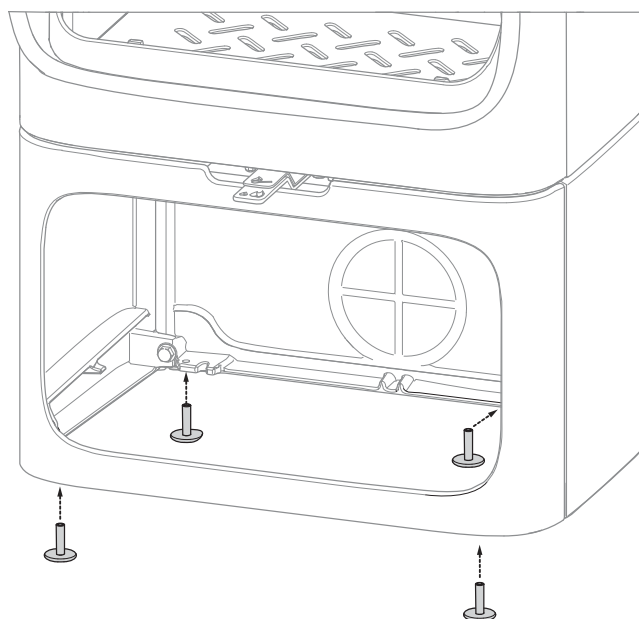
1. Commencer par retirer le couvercle de l'air extérieur (A) en desserrant les vis (B).

Fig. 8



2. Retirer les gants du cendrier.
3. Sortir le déflecteur, le pare-cendres et le sachet de vis du poêle.
4. Vérifier que les commandes de réglage (C) se déplacent librement.
5. Retirer la plaque de fond (A) en saisissant le coin avant gauche. Soulever la plaque et la retirer du socle dans un angle.
6. Retirer les quatre vis de transport (B) qui fixent le poêle sur la palette en bois.
7. Retirer le poêle de la palette et le mettre en place (voir fig. 1).

Fig. 9

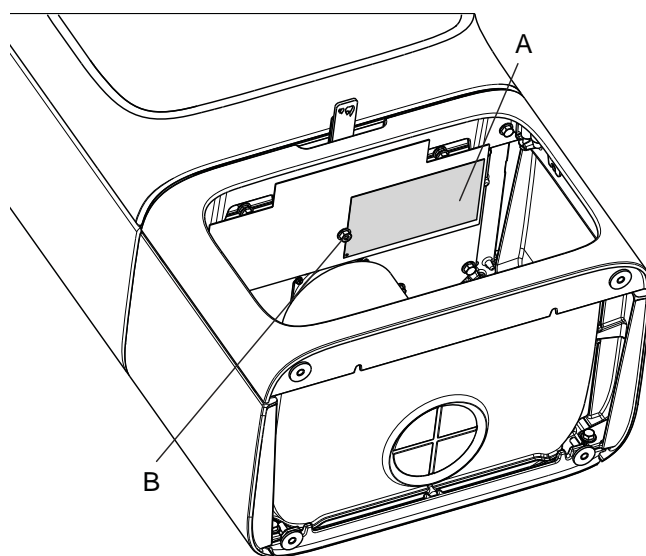


8. Ajuster le socle avec des vis de réglage de la hauteur à l'aide de la clé six pans placée dans le sachet de vis.
Remarque : Prendre en compte la hauteur de la plaque de sol.
9. Effectuer un marquage sur le mur s'il est prévu d'avoir une sortie arrière pour le conduit de fumée et une amenée d'air frais extérieur, (voir fig. 1).
10. S'il est prévu d'avoir une sortie arrière pour le conduit de fumée et une amenée d'air frais extérieur, dégager le poêle du mur et préparer les raccords.

Étiquette d'homologation

Jøtul F 305 avec socle

Fig. 10

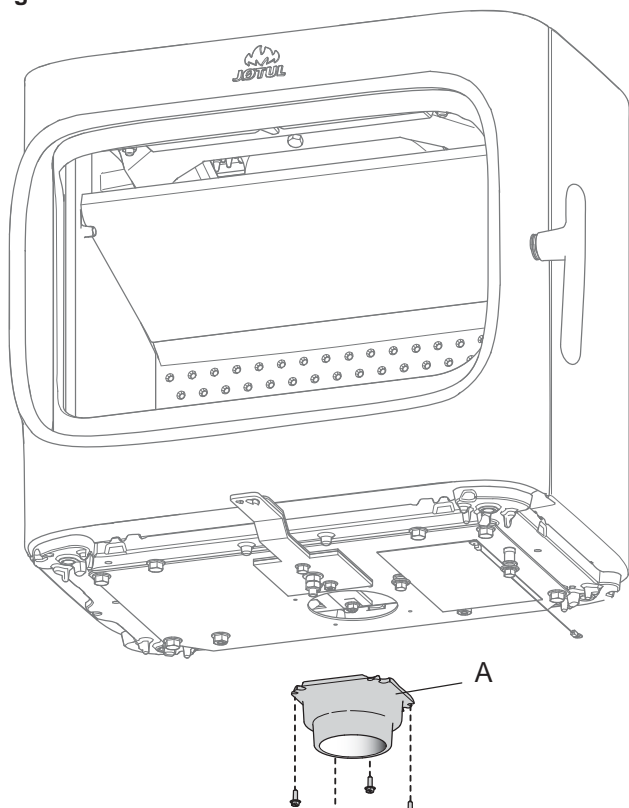


1. Retirer la plaque d'homologation (A) du cendrier et la fixer à l'aide de l'écrou (B), comme indiqué. L'écrou doit être uniquement serré avec les doigts. **Remarque :** Ne pas couper le fil utilisé pour la fixation de la plaque.

4.2 Installation

Si l'arrivée d'air extérieur n'est pas utilisée

Fig. 11

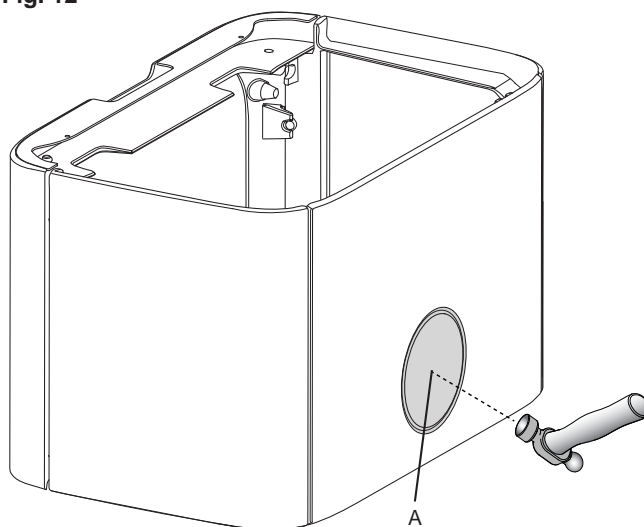


2. Si l'arrivée d'air extérieur n'est pas utilisée, le connecteur d'air extérieur (A) peut être déposé, le cas échéant. Retirer les quatre vis utilisées pour fixer le connecteur d'air extérieur, puis le connecteur lui-même. **(Pour les produits avec socle :** Si nécessaire, vous pouvez dévisser l'écran thermique sous le poêle afin de faciliter le démontage du connecteur d'air extérieur.
3. Monter la plaque de convection à sa place après avoir retiré le connecteur d'air extérieur.

Raccordement de l'air extérieur à travers le socle

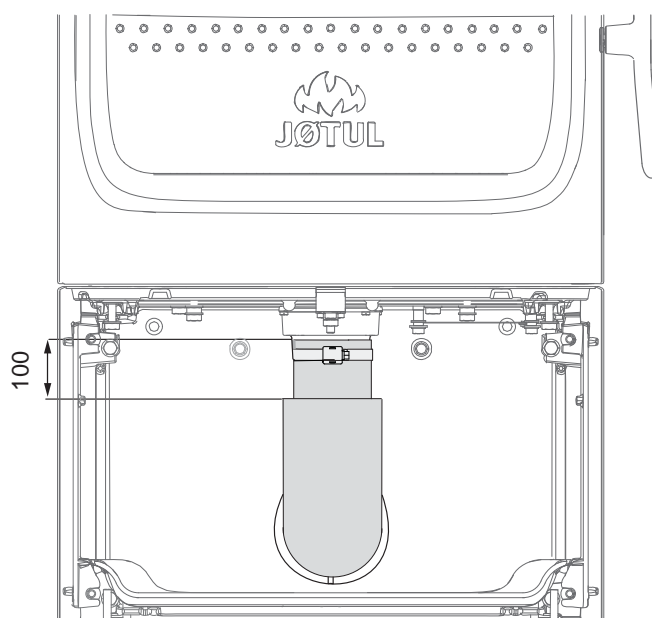
A travers la sortie arrière dans le socle

Fig. 12



1. Placer un morceau de carton à l'intérieur de la plaque arrière pour empêcher des pièces du couvercle d'endommager le socle. Défoncer le couvercle avec un marteau.

Fig. 13

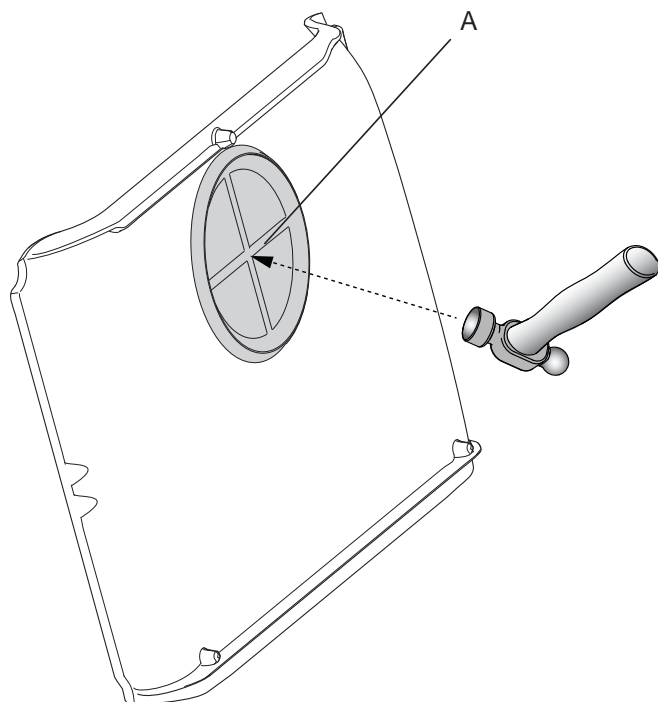


2. Voir les instructions d'installation qui suivent avec le kit d'air extérieur.
3. Fixer le tuyau au connecteur de l'air extérieur à l'aide d'un collier de serrage. L'isolant du tuyau d'arrivée d'air extérieur se termine à env. **100 mm au-dessous** du poêle.

FRANCAIS

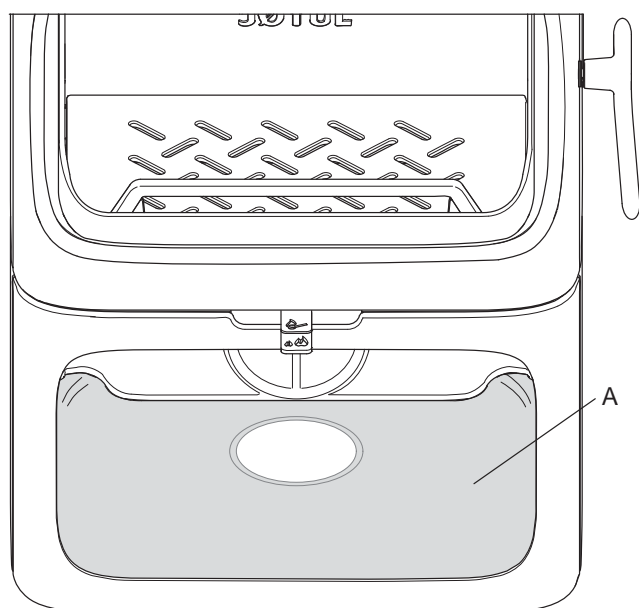
Raccordement de l'air extérieur à travers la plaque de fond dans le socle

Fig. 14



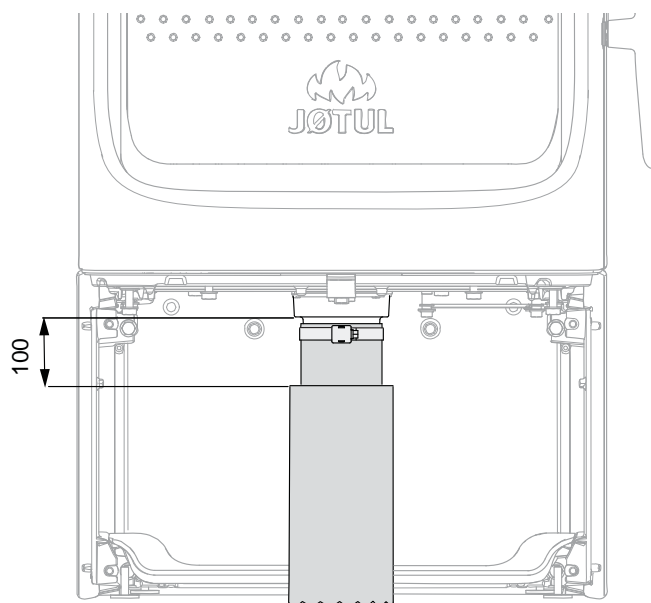
1. Placer un morceau de carton à l'arrière de la plaque de fond avant de défoncer le couvercle (A) avec un marteau, afin d'éviter que les pièces endommagent les surfaces environnantes.

Fig. 15



2. Remonter la plaque de fond.
3. Placer le poêle dans la position prévue pour son utilisation. Voir fig. 1 pour l'emplacement correct en ce qui concerne les distances de sécurité.

Fig. 16



4. Voir les instructions d'installation qui suivent avec le kit d'air extérieur.
5. Fixer le tuyau au connecteur de l'air extérieur à l'aide d'un collier de serrage. L'isolant du tuyau d'arrivée d'air extérieur se termine à env. **100 mm au-dessous** du poêle.

4.4 Cheminées et conduits

- Le poêle peut être branché à une cheminée et à un conduit approuvés pour les poêles à combustible solide, avec les températures de fumées spécifiées dans la section «**2.0 Données techniques**».
- La section minimale de la cheminée doit correspondre à celle du conduit. Pour calculer la section adéquate de la cheminée, voir la section «**2.0 Données techniques**».
- Plusieurs poêles à combustible solide peuvent être raccordés à la même cheminée si la section de la cheminée et la réglementation le permettent.
- Le raccordement à la cheminée doit être réalisé conformément aux **D.T.U. 24.1** ; ainsi qu'aux instructions d'installation du fournisseur de la cheminée.
- Procéder à un montage d'essai du poêle avant de percer un trou dans la cheminée. Voir **fig. 1** pour les cotes.
- Raccordement arrière : veiller à ce que le conduit de raccordement soit incliné vers le haut.
- Utiliser un coude de conduit doté d'une trappe ou un té ou siphon afin de permettre les opérations de ramonage suivant règlement.
- Veiller à ce que les raccordements soient souples afin d'empêcher toute fissure lors de l'installation.
- Tirage recommandé; Voir également les sections «**2.0 Données techniques**». En cas de tirage trop important, utiliser un clapet ou un modérateur de tirage.

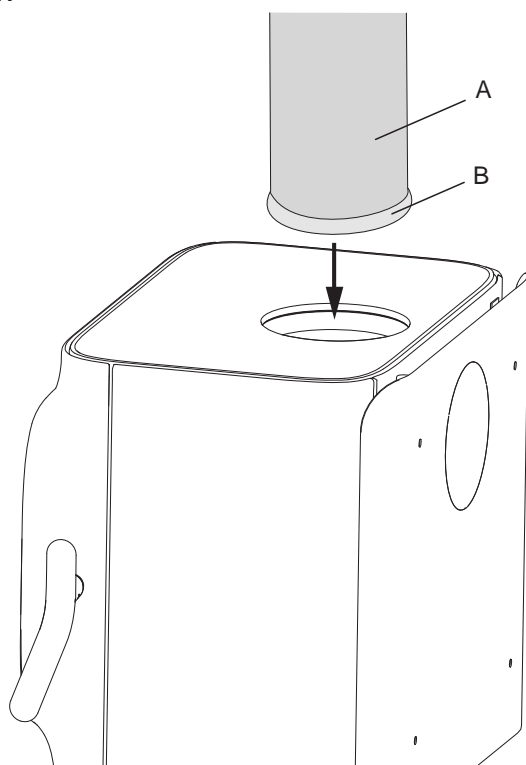
Grille de protection pour outil de ramonage

Remarque : Quand une cheminée en acier est installée à la sortie par le haut, une grille de protection pour outil de ramonage doit toujours être installée à la sortie supérieure (équipement optionnel).

4.5 Montage d'un conduit de fumée avec sortie par le haut

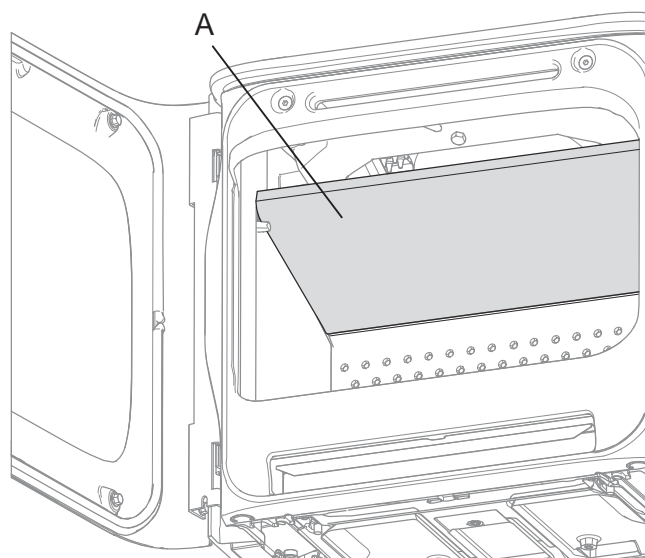
Le produit est livré avec un conduit d'évacuation de la fumée prévu pour une sortie par le haut.

Fig. 17



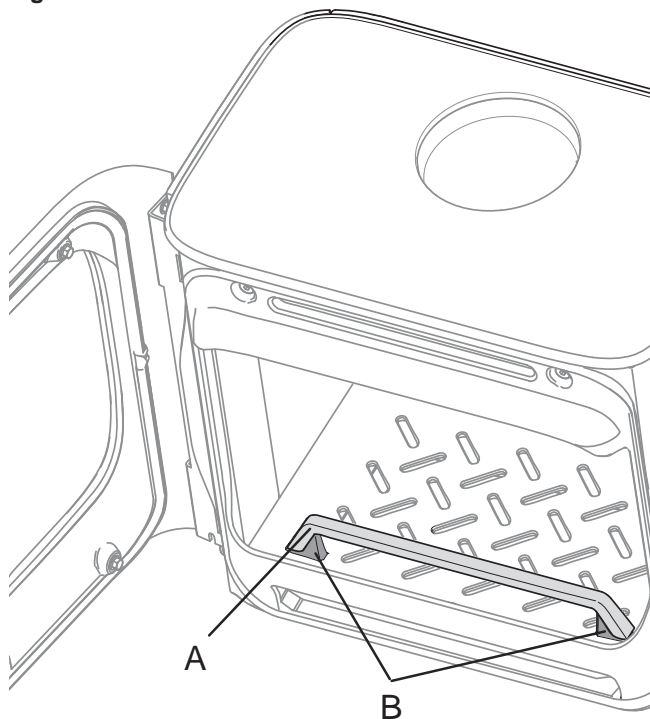
1. Emmancher le conduit de fumée **(A)** à travers la plaque supérieure, puis le placer dans la sortie de fumée par le haut.
2. Parfaire l'étanchéité avec un joint **(B)**.

Fig. 18



3. Placer le déflecteur **(A)** comme indiqué dans la figure.

Fig. 19



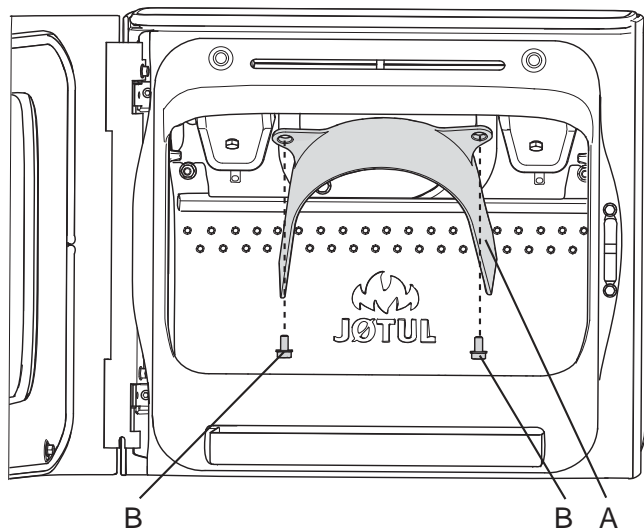
4. Monter la barre pare-bûches **(A)** sur les boutons **(B)**.

FRANCAIS

4.6 Montage d'un conduit de fumée avec sortie par l'arrière

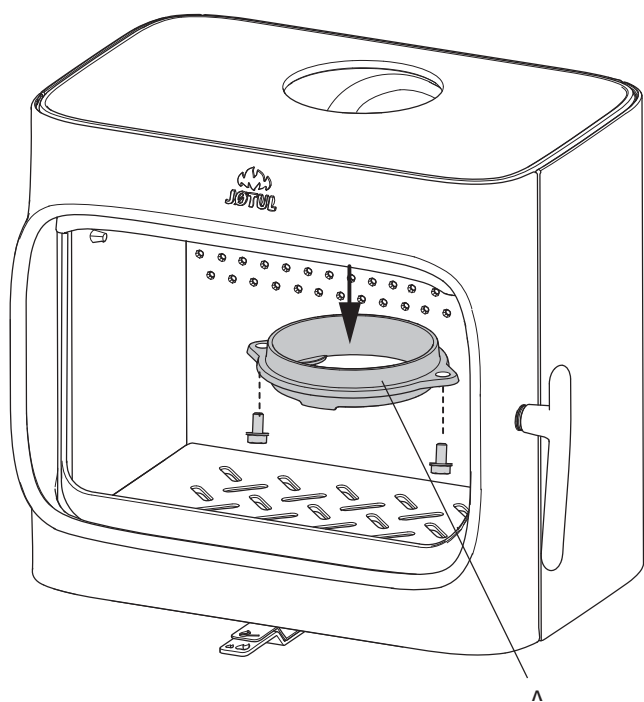
Le produit est livré avec un conduit d'évacuation de la fumée prévu pour une sortie par le haut. Si vous souhaitez une évacuation par l'arrière, procédez comme suit :

Fig. 20



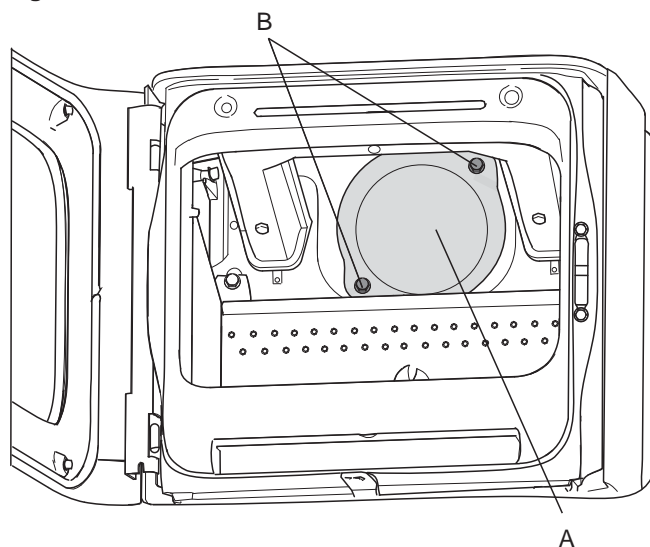
1. Positionner correctement l'appareil. Voir la **fig. 1**.
2. Desserrer les vis (**B**) et retirer le déflecteur (**A**).

Fig. 21



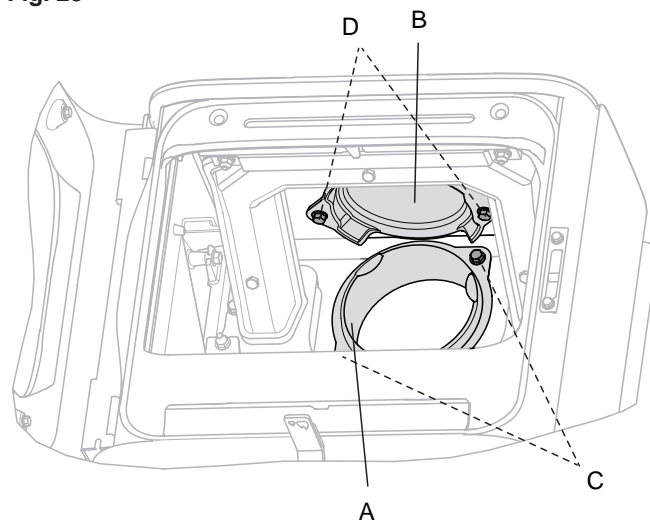
3. Dévisser la buse (**A**) de la sortie par le haut.

Fig. 22



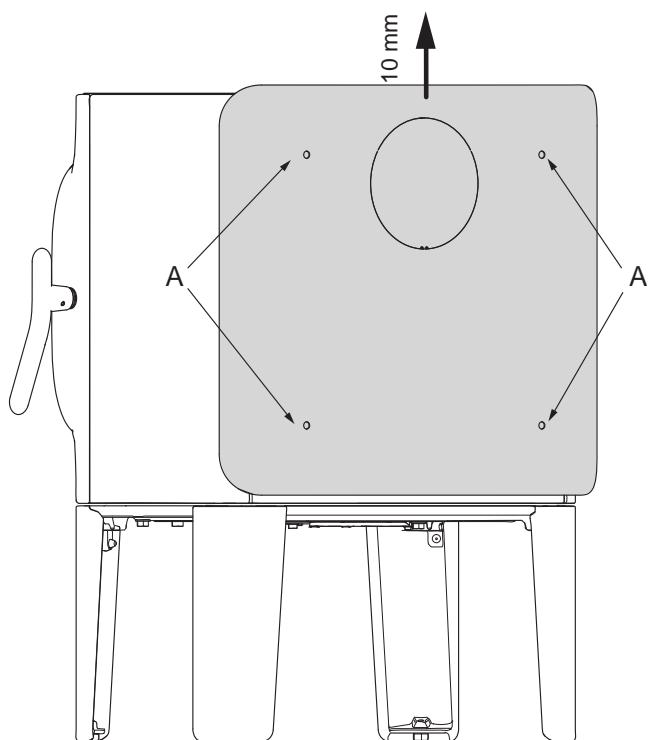
4. Desserrer les vis (**B**) et enlever le couvercle (**A**) de la sortie arrière de l'intérieur du poêle.

Fig. 23



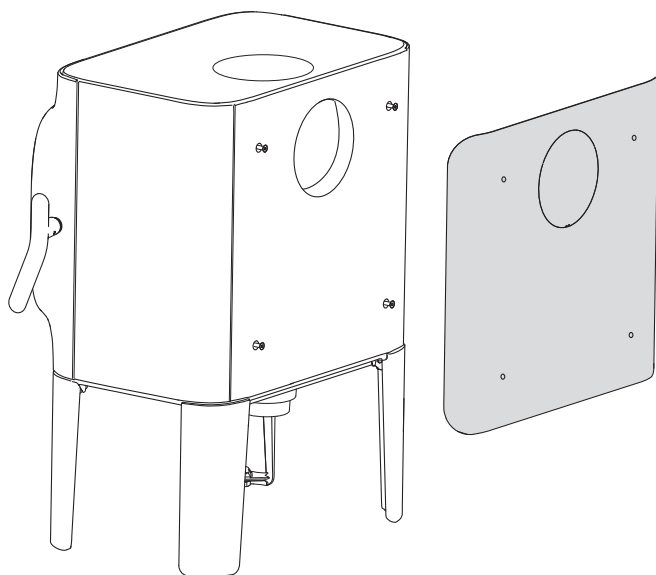
5. Fixer la sortie des fumées (**A**) à la sortie à l'arrière avec les deux vis (**C**) depuis l'intérieur du poêle.
6. Fixer le couvercle (**B**) à la sortie par le haut avec les deux vis (**D**) depuis l'intérieur du poêle.
7. Fixer le déflecteur (**fig. 20 A**).

Fig. 24



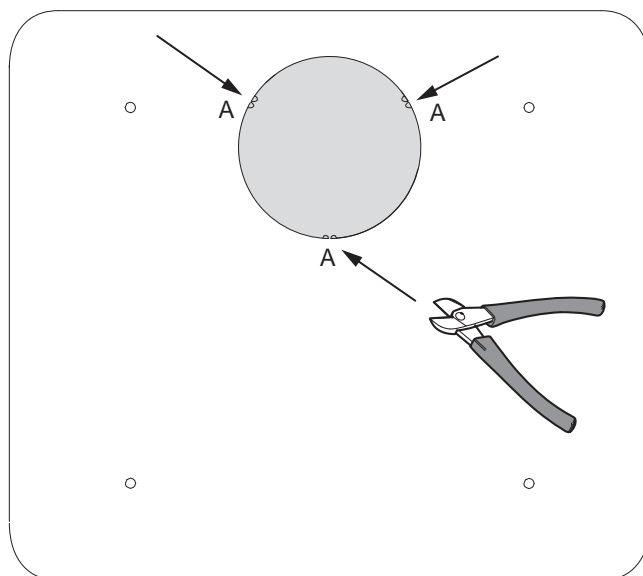
8. Desserrer, mais ne pas dévisser complètement les quatre vis (A) et soulever la plaque de convection d'env. 10 mm.

Fig. 25



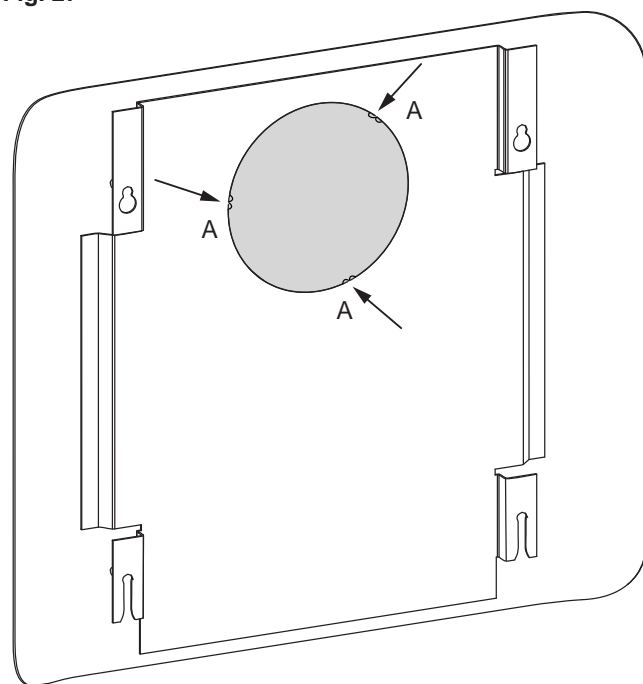
9. Décrocher la plaque de convection.

Fig. 26



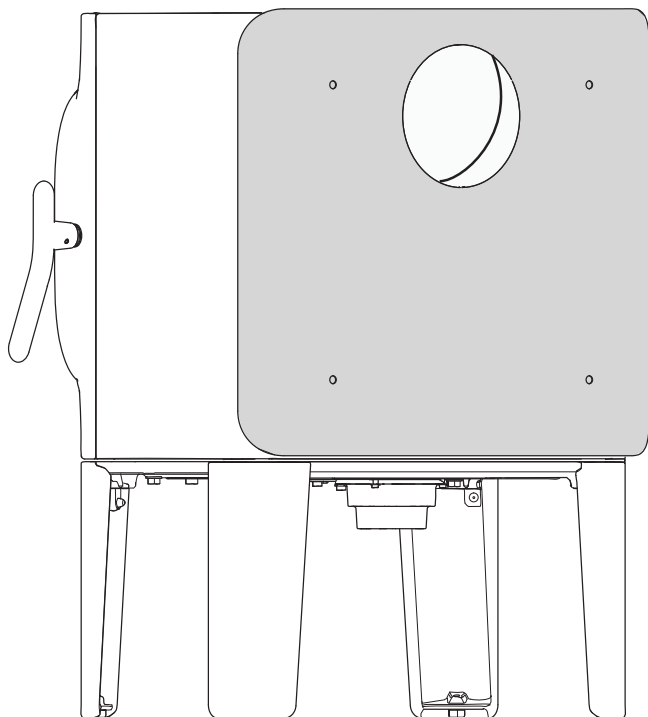
10. Découper la sortie arrière aux points (A) dans la sortie et retirer le couvercle.

Fig. 27



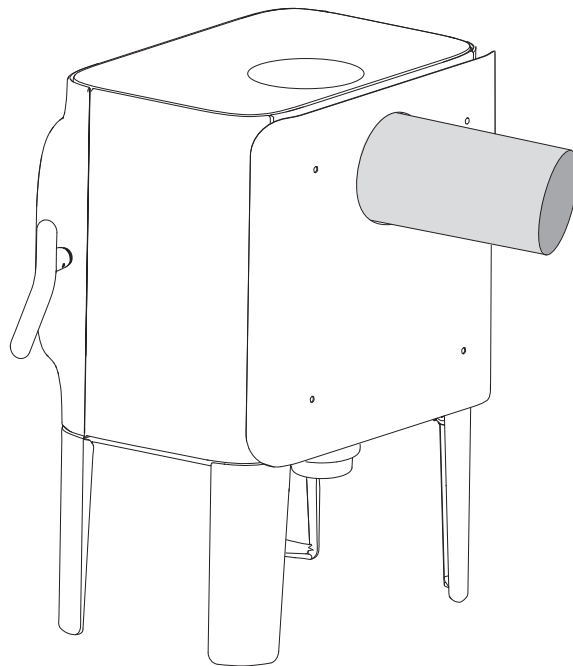
11. Procéder de la même façon pour la partie intérieure de la plaque de convection.

Fig. 28



12. Accrocher la plaque de convection de nouveau sur le produit et fixer à l'aide des quatre vis.

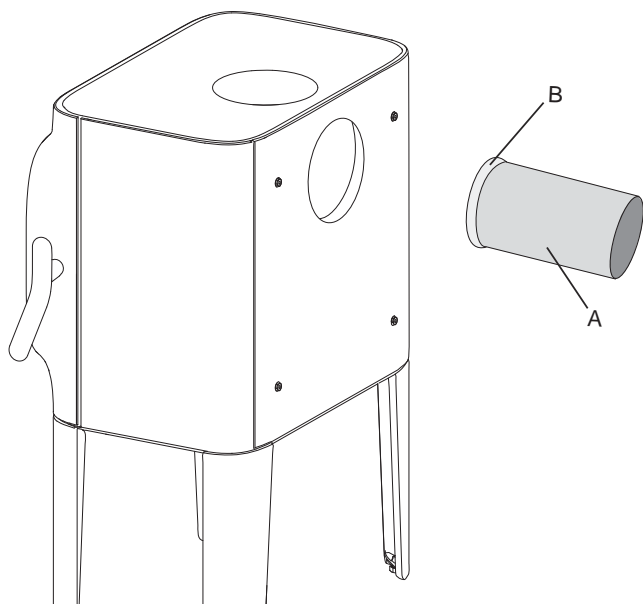
Fig. 30



14. Insérer le conduit de fumée dans la sortie arrière.

Remarque : Il est important que les joints/conduits de fumée soient parfaitement étanches. Les fuites d'air peuvent nuire au bon fonctionnement de l'appareil.

Fig. 29

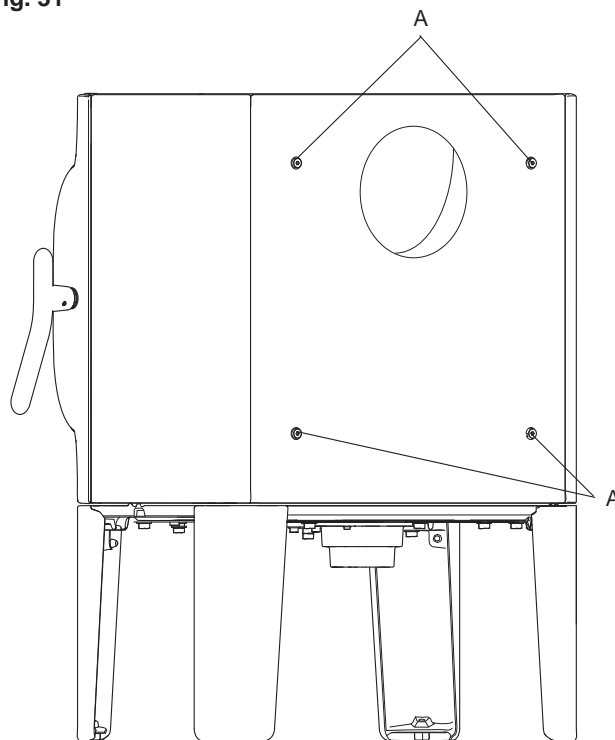


13. Placer le joint d'étanchéité (B) sur le bord du conduit de fumée (A).

Produit sans plaque de convection

Remarque : Si la plaque de convection n'est pas utilisée, le produit aura différentes conditions d'installation (voir fig. 1).

Fig. 31

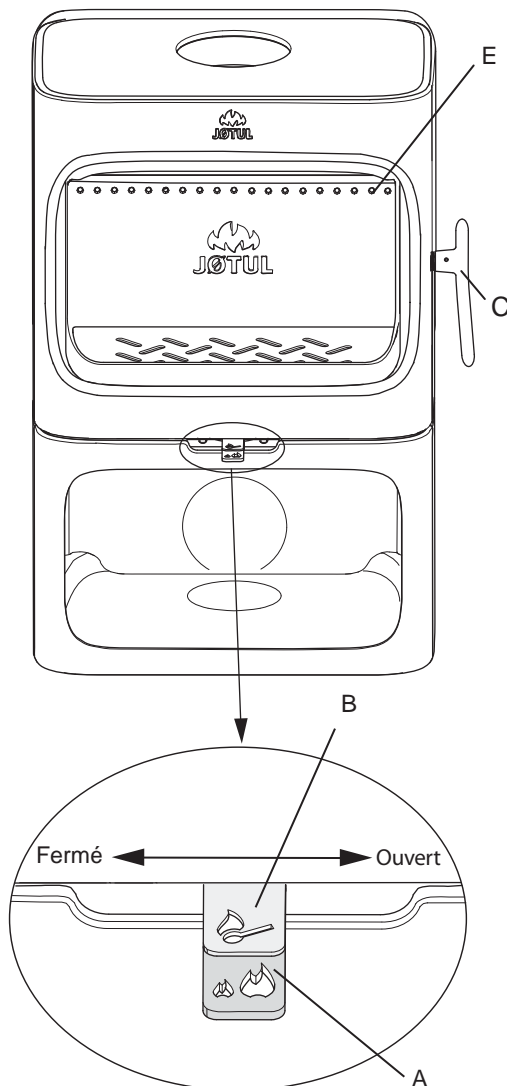


1. Si vous n'utilisez pas la plaque de convection dans le poêle, resserrer les quatre vis (A) en place.

4.6 Test de fonctionnement

Inspectez toujours les poignées de commande une fois l'appareil monté. Les éléments mobiles doivent fonctionner librement.

Fig. 32



Le poêle Jøtul F 305 est équipé des commandes suivantes :

Registre d'air (A)

Déplacer vers la gauche : Fermé
Déplacer vers la droite : Ouvert

Registre d'allumage (B)

Déplacer vers la gauche : Fermé
Déplacer vers la droite : Ouvert

Poignée de porte (C)

Ouvrir en tirant sur la poignée.

Hauteur d'empilage (E) pour le bois (les trous ne doivent pas être recouverts).

5.0 Utilisation au quotidien

Odeurs perceptibles lors de la première utilisation du poêle

Lors de la première utilisation, le poêle peut émettre un gaz irritant et dégager des odeurs désagréables. Ceci se produit seulement lorsque la peinture est neuve. Ce gaz n'est pas toxique, mais il est recommandé de bien aérer la pièce. Maintenir un tirage élevé dans le poêle jusqu'à qu'aucun gaz, fumée ou odeur ne puisse être détecté.

Conseils de chauffage

Remarque : Il est recommandé d'entrer les bûches qui ont été stockées à l'extérieur ou dans une pièce froide 24 heures avant de les brûler afin de les amener à température ambiante.

Il existe différentes manières de chauffer le poêle, mais soyez toujours attentif à ce que vous y mettez. Voir le chapitre intitulé « La qualité du bois ».

Important ! Une alimentation en air insuffisante entraîne une mauvaise combustion, des émissions élevées et un faible niveau d'efficacité.

La qualité du bois

Par bois de qualité, nous entendons les essences les plus courantes telles que bouleau, épicéa et pin ou hêtre, chêne, érable. Suivant les pays.

Les bûches doivent sécher afin que leur teneur en eau ne dépasse pas 20 %.

Pour cela, il convient de couper le bois à la fin de l'hiver. Fendez-les et empilez-les pour permettre à l'air de bien circuler. Recouvrez les piles afin de protéger les bûches doivent sécher pendant 24 mois. Entrez les bûches dans la maison au début de l'automne en vue de leur utilisation pendant l'hiver qui suit.

Soyez particulièrement attentif à ne jamais brûler les matériaux suivants dans le poêle :

- Les déchets ménagers, les sacs en plastique, etc.
- Le bois peint ou imprégné (très toxique).
- Le bois contreplaqué
- Le bois qui est resté dans l'eau
- Les chutes de menuiserie dont le bois est trop sec.
- Le bois de récupération de chantier

Ceux-ci risquent d'endommager l'appareil et ce sont aussi des polluants.

FRANCAIS

Remarque : N'employez jamais de l'essence, de la paraffine, de l'alcool (méthyllique) ou tout liquide similaire pour allumer le feu. Vous risqueriez de vous blesser sérieusement et d'endommager l'appareil.

Bois d'allumage (bois fendu menu) :

Longueur : max. 41 cm
Diamètre : 2 à 5 cm
Quantité nécessaire à l'allumage : 6 à 8 morceaux

Bois (bois fendu) :

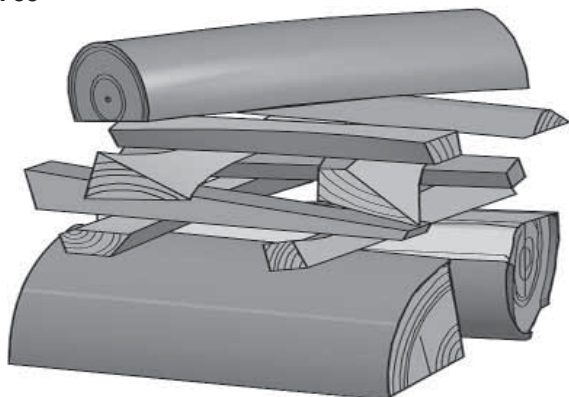
Longueur recommandée : 30 à 40 cm
Diamètre : Environ 8 cm
Ajouter du bois toutes les : 45 - 50 minutes environ
Taille du feu : 1,8 kg (puissance nominale)
Quantité nécessaire à l'allumage : x2
Quantité de bois d'allumage max. : 2,4 kg

La puissance de chauffage nominale s'obtient lorsque le registre d'air est ouvert à environ 50 % (Fig. 32 A).

Premier allumage

Ouvrir le registre d'air frais et le registre d'allumage en tirant les poignées (Fig. 32 A et B) à fond. Si nécessaire, maintenir la porte légèrement ouverte.

Fig. 33



- Disposez deux bûches au fond du poêle et empilez le bois d'allumage en strates croisées successives.
- Pour finir, placez une bûche de taille moyenne au sommet de la pile de bois.
- Placez 2 ou 3 briquettes sous la plus haute strate de bois d'allumage puis allumez le feu. **Remarque :** La hauteur maximale de la pile de bois ne doit pas dépasser la ligne de trous horizontale. Ne pas recouvrir les trous.
- Une fois que le feu a bien pris, fermez le registre d'allumage (Fig. 32 B).
- Si le flux d'air est normal, vous pourrez fermer la porte et le feu continuera à brûler de lui-même.
- Vous pouvez régler la vitesse de combustion pour obtenir le degré de chauffage souhaité en ajustant le registre d'air frais (Fig. 32 A).
- Vérifiez que la postcombustion (combustion secondaire) démarre. On le voit aux flammes jaunes, dansantes, devant les trous sous le déflecteur.

Ajouter du bois

Alimentez le poêle régulièrement mais n'ajoutez que de petites quantités de combustible à la fois. Si la combustion est trop vive, la contrainte thermique dans la cheminée risque de devenir excessive. Faites preuve de modération. Évitez les feux couvants car ils sont les plus polluants. Le feu est parfait lorsque le bois brûle bien et que la fumée qui sort de la cheminée est pratiquement invisible.

5.1 Risque de surchauffe

Ne surchauffez jamais le poêle

La surchauffe est provoquée par un excès de combustible et/ou d'air qui donne lieu à un dégagement de chaleur trop important. Lorsque le poêle devient incandescent par endroits, c'est un signe incontestable de surchauffe. Si le cas se produit, réduisez immédiatement l'apport d'air frais. En cas de surchauffe, la garantie ne pourrait pas être assurée.

Si vous pensez que la cheminée tire mal (tirage excessif ou insuffisant), contactez un spécialiste. Pour plus de détails, reportez-vous à « 4.0 Installation » (Cheminée et conduit d'évacuation).

5.2 Décendrage

Le poêle Jøtul F 305 est équipé d'un cendrier qui permet de vider facilement les cendres.

- Attendez que le poêle soit froid pour retirer les cendres.
- Raclez les cendres au-dessus de la grille au fond du poêle pour qu'elles tombent dans le cendrier. Portez un gant ou une protection similaire pour vous protéger la main. Saisissez la poignée du cendrier et sortez les cendres. Ne laissez pas le cendrier se remplir complètement, au point d'empêcher les cendres de tomber dans le cendrier à travers la grille.
- Avant de refermer la porte, assurez-vous que le cendrier a été introduit jusqu'au fond.

6.0 Maintenance

6.1 Nettoyage de la vitre

Le poêle est équipé d'un système d'entrée d'air par le haut. L'air est aspiré au-dessus du poêle et circule le long de la vitre.

L'accumulation de suie sur la vitre est toutefois inévitable, la quantité de dépôts dépendant du taux d'humidité du combustible, des conditions de tirage et du réglage de l'entrée d'air supérieure. Une grande partie de cette suie est normalement consommée lorsque l'entrée d'air est ouverte à son maximum et en présence d'un feu vif dans le poêle.

Un bon conseil ! Pour les opérations courantes de nettoyage, humidifier un essuie-tout ou du papier journal à l'eau chaude et l'imprégner de quelques cendres prélevées dans la chambre de combustion. Frotter la vitre avec ce papier puis rincer à l'eau claire et essuyer. Pour un nettoyage optimal, il est recommandé d'utiliser un nettoyant à vitres. Ne jamais projeter le produit directement sur la vitre : il risque de détériorer les fixations de la vitre et le joint, ce qui peut entraîner la cassure de la vitre.

6.2 Nettoyage et élimination de la suie

Pendant l'utilisation, de la suie peut se déposer sur les surfaces internes du poêle. La suie est un bon isolant. Elle réduit donc le rendement thermique du poêle. Utiliser une brosse métallique pour retirer tout dépôt de suie dans le produit sauf sur les plaques en vermiculite.

Laisser brûler vivement afin d'éviter tout dépôt de goudron et d'eau dans le poêle. Un nettoyage annuel de l'intérieur du poêle est requis pour optimiser le rendement du produit. Cette opération peut être réalisée lors du ramonage des conduits et de la cheminée.

6.3 Ramonage des conduits d'évacuation vers la cheminée

Le ramonage des conduits doit s'effectuer à partir de la trappe de ramonage ou depuis l'intérieur du produit suivant les réglementations locales.

Commencez par retirer les déflecteurs inférieur et supérieur.

6.4 Inspection du poêle

Jøtul recommande que l'utilisateur contrôle personnellement et soigneusement le poêle suite à une opération de ramonage/nettoyage. Vérifier l'absence de fissures sur toutes les surfaces visibles. Vérifier également l'état et la bonne installation de tous les joints. Tout joint montrant des signes d'usure, de déformation ou de dureté doit être remplacé. Un appareil ne doit jamais fonctionner avec un composant défaillant.

Nettoyer soigneusement les gorges de joint, appliquer de la colle céramique (disponible auprès des distributeurs Jøtul), puis insérer correctement le joint sans tirer dessus. La colle sèche rapidement.

6.5 Entretien de la surface externe

La couleur des produits peints peut se ternir après plusieurs années d'utilisation. Avant d'appliquer une nouvelle couche de peinture, brosser et laver la surface peinte pour en éliminer toutes les particules.

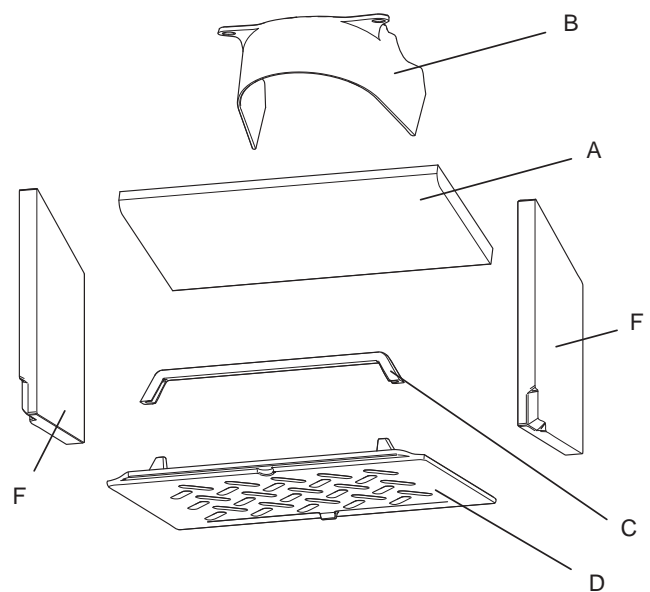
7.0 Entretien

Avertissement ! Toute modification non autorisée du produit est interdite ! Utilisez uniquement des pièces détachées d'origine !

7.1 Entretien/remplacement de pièces du poêle

Remarque : Utilisez les outils avec précaution ! Les plaques de vermiculite sont fragiles et pourraient être endommagées si elles étaient manipulées sans précaution.

Fig. 34

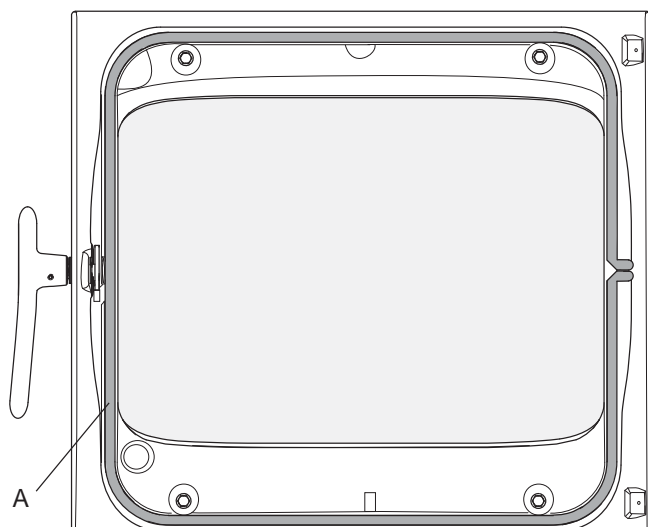


1. Saisir le bord arrière du déflecteur (A) et le tourner vers l'avant et vers le bas pour l'extraire du poêle.
2. La plaque de guidage (B) peut être démontée en desserrant les deux vis qui la maintiennent en place.
3. Barre pare-bûches (C) : Soulever la barre pare-bûches droit vers le haut et la retirer du poêle.
4. Grille à cendres (D) – Retirer d'abord la barre pare-bûches (C). Retirer le cendrier et dégager la grille à cendres (D) par dessous, de manière à pouvoir la saisir par dessus et de l'extraire du poêle.
5. Plaques de doublage latérales (F) : Commencer par retirer la barre pare-bûches (C) et le cendrier. Soulever e dégager ensuite les plaques de doublage latérales.

FRANCAIS

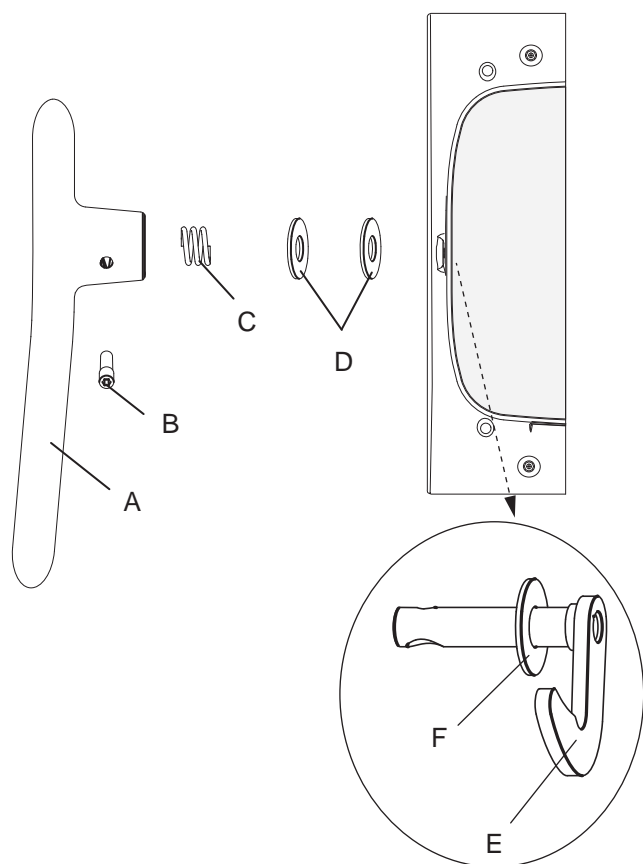
7.2 Remplacement de la vitre et des joints de la porte

Fig. 35



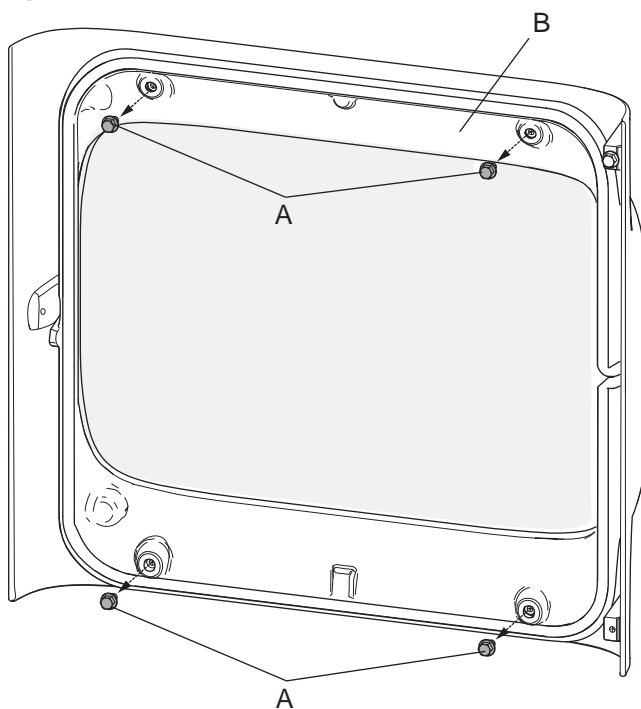
1. Retirer le joint **(A)** placé sur le côté intérieur de la porte, nettoyer la rainure du joint et coller un joint neuf.

Fig. 36



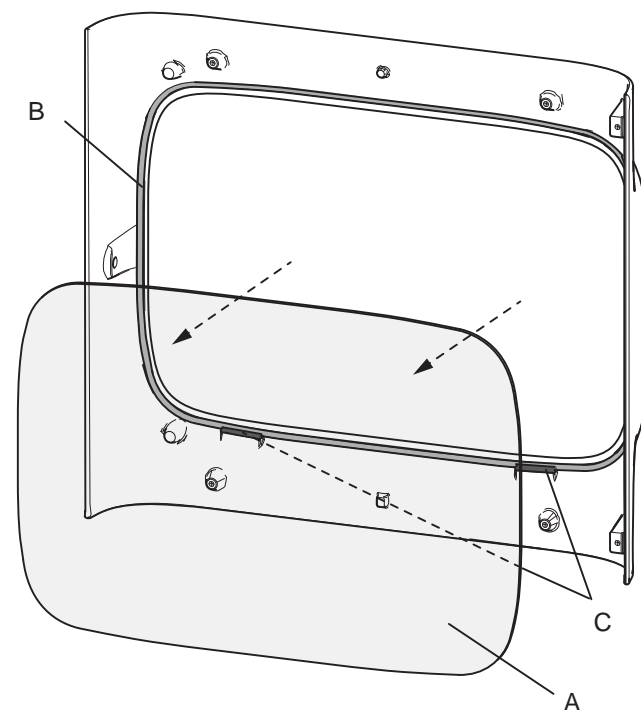
2. Desserrer la vis **(B)** et retirer la poignée **(A)**.
3. Retirer le ressort **(C)** et les deux rondelles **(D)**.
4. Retirer le crochet de porte **(E)** et la rondelle **(F)**.

Fig. 37



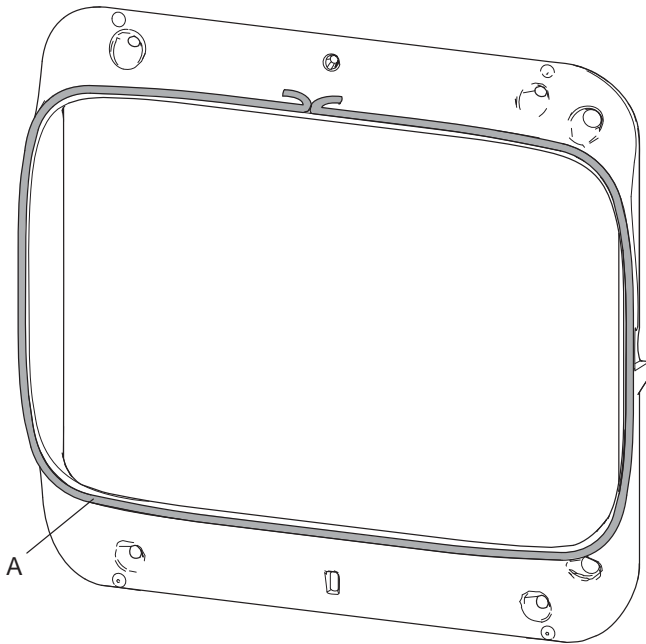
5. Si un joint de vitre ou une vitre doivent être remplacés, retirer d'abord la poignée de porte (voir pos. 2-4).
6. Dévisser le support de vitre **(B)** maintenu à l'aide de 4 vis **(A)**. Remarque : La vitre dans la porte n'est pas serrée. Veiller à ne pas heurter la vitre lorsque le support de vitre est desserré.

Fig. 38



7. Retirer la vitre **(A)** délicatement. Retirer les joints **(B)** et **(C)**, et nettoyer les rainures des joints.
8. Coller de nouveaux joints.

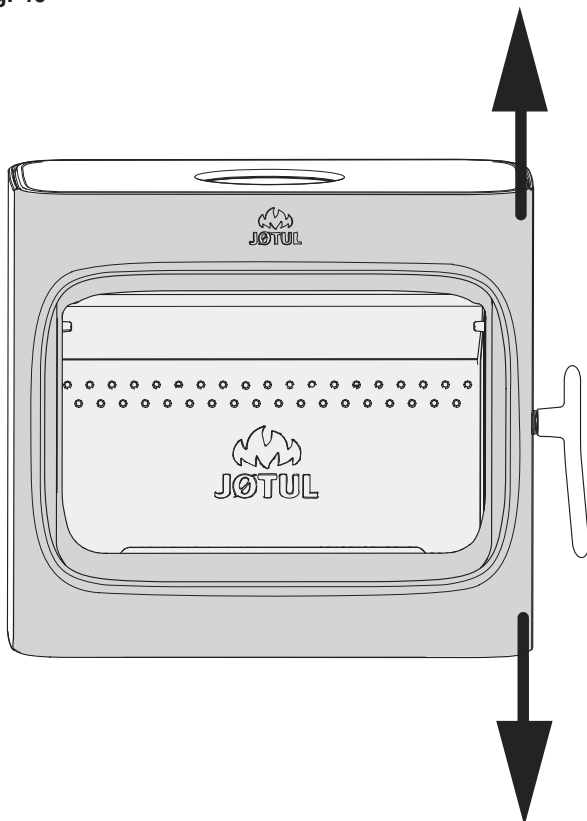
Fig. 39



9. Retirer le joint usagé (A) et nettoyer les rainures. Coller un nouveau joint.
10. Remonter toutes les parties, une fois tous les joints usagés ont été remplacés.

Ajuster la porte

Fig. 40



1. La porte peut être légèrement ajustée vers le haut ou vers le bas du côté verrou de porte. **Remarque** : la porte ne peut pas être complètement fermée au moment de l'ajustement!

8.0 Équipements disponibles en option

8.1 Raccordement prise d'air extérieur

Raccordement prise d'air extérieur, Ø 80 mm -
Réf. cat. 51047509.

Raccordement prise d'air extérieur, Ø 100 mm -
Réf. cat. 51012164.

8.3. Dessus en pierre ollaire

Réf. cat. 51048022, BP
Réf. cat. 51049314, WHE

8.4 Cendrier pour pieds

Réf. cat. 51047339, BP
Réf. cat. 51047341, WHE

8.5 Grille de protection pour outil de ramonage

Réf. cat. 151608 (Ø 150 mm).

8.6 Pieds courts

Réf. cat. 51047318, BP
Réf. cat. 51047340, WHE

FRANCAIS

9.0 Recyclage

9.1 Recyclage de l'emballage

- Votre poêle est livré avec les emballages suivants :
- Une palette en bois qui peut être sciée et brûlée dans le poêle.
- Des emballages en carton qui doivent être déposés dans une station de recyclage près de chez vous.
- Des sacs en plastique qui doivent être déposés dans une station de recyclage près de chez vous.

9.2 Recyclage du poêle

Le poêle est composé de :

- d'éléments métalliques qui doivent être déposés dans une station de recyclage près de chez vous.
- de verre qui doit être éliminé comme des déchets dangereux. Le verre dans le poêle ne doit pas être placé dans un conteneur de séparation à la source standard.
- de panneaux en vermiculite qui peuvent être déposés dans des conteneurs de déchets classiques.

10.0 Garantie

La société Jøtul offre une garantie sur les pièces extérieures en fonte en cas de vice de matière et/ou de fabrication à compter de la date de l'achat / de l'installation du poêle. L'acheteur est en droit de retourner la marchandise à condition que le poêle ait été installé en conformité avec les lois et règlements en vigueur ainsi qu'avec les instructions d'installation et d'utilisation de Jøtul.

La garantie ne couvre pas :

L'installation d'options, notamment pour rectifier le tirage, l'arrivée d'air ou d'autres circonstances qui échappent au contrôle de Jøtul. La garantie ne couvre pas les consommables tels que les plaques de doublage, les déflecteurs de fumée, les grilles de poêle, les grilles de fond, les briques réfractaires, les amortisseurs et les joints car ces éléments nécessitent d'être remplacés régulièrement en usage normal. La garantie ne couvre pas les dommages causés par l'utilisation d'un combustible inapproprié pour allumer le feu, tel que du bois ayant séjourné dans l'eau, du bois imprégné, du bois peint, des résidus de coupe, de l'aggloméré, des chutes de menuiserie, etc. La surchauffe se produit facilement en cas d'utilisation d'un combustible inapproprié. Le poêle devient alors incandescent, ce qui provoque le ternissement de la peinture et la fissuration des pièces en fonte.

La garantie ne couvre pas les avaries causées lors du transport de l'appareil entre le distributeur et le lieu de livraison. La garantie ne s'applique pas non plus aux dommages causés par l'utilisation de pièces qui ne sont pas d'origine.

Indice

1.0 Datos técnicos43

2.0 Relación con las autoridades43

3.0 Seguridad.....44

4.0 Instalación48

5.0 Uso diario57

6.0 Mantenimiento.....58

7.0 Servicio59

8.0 Complementos opcionales.....61

9.0 Reciclaje.....62

10.0 Garantía62

1.0 Relación con las autoridades

- La instalación de una estufa debe realizarse con arreglo a la normativa y legislación nacional. En la instalación de los productos deben cumplirse todas las disposiciones locales, incluidas aquellas referentes a las normas nacionales y europeas.
- La instalación deberá ser revisada por un inspector homologado antes de ponerse en servicio.
- Consulte a las autoridades locales en materia de construcción antes de instalar una nueva estufa.

2.0 Datos técnicos

Material: Hierro colado
 Acabado: Pintura negra / esmalte
 Salida de humo: Superior, trasera
 Tamaño del tubo de tiro: Ø 150 mm
 Conexión de aire exterior: Alum. flex. Ø 80 mm

Peso del producto:

Cámara de combustión con patas: 143 kg
 Cámara de combustión con base: 169 kg
 Placa superior de esteatita: 36 kg
 Extras opcionales: bandeja recogeceniza, placa de esteatita, toma para aire exterior y muelle para puerta con autocierre. Rejilla de protección apta para deshollinador, patas cortas.

Tamaños de producto y distancias:

Ver Fig. 1

Especificaciones técnicas conforme a EN 13240

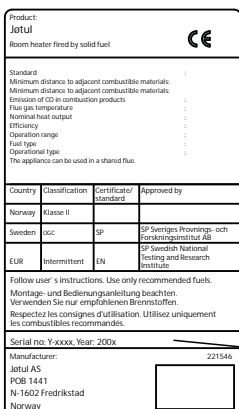
Potencia calorífica nominal: 7 kW
 Volumen de humos: 7,1 g/s
 Tiro de la chimenea, EN 13240: 12 Pa
 Presión negativa recomendada en la salida de humos: 14-16 Pa
 Rendimiento: 79% a 7,5 kW
 Emisiones de CO (13% O₂): 0,06%
 Emisiones de CO (13% O₂): 786 mg / Nm³
 Nox al 13% O₂: 85 mg/Nm³
 OGC al 13 % O₂: 64 mg/Nm³
 Emisión de partículas NS 3059: 1,5 g / kg
 Consumo de aire: 6,1 litre/sec o 22 m³/h
 Temperatura de la chimenea, EN 13240: 261 °C
 Temperatura en la salida de humos: 313 °C
 Polvo: <7 mg/Nm³ al 13%O₂ 13%O₂

Tipo de combustible: Madera
 Longitud máx. de leño: 41 cm
 Consumo de combustible: 2,25 kg/h
 Consumo máx. de leña: 2,4 kg
 Cantidad máx. de leña: 1,8 kg
 Funcionamiento: Intermitente

Combustión intermitente se refiere al uso normal de una estufa, es decir, añadida más combustible cuando el fuego haya quedado reducido a rescoldos.

Todos nuestros productos disponen de una etiqueta que indica su número de serie y año. Escriba este número en el lugar indicado para ello en las instrucciones de instalación.

Indique siempre este número cuando se ponga en contacto con su distribuidor o con Jøtul.



Serial no.

3.0 Seguridad

N. B.: para garantizar un rendimiento y seguridad óptimos, Jøtul recomienda que sus estufas sean instaladas por un instalador cualificado (consulte la lista íntegra de distribuidores en www.jotul.com).

Cualquier modificación del producto por parte del distribuidor, instalador o usuario puede motivar que el producto y sus prestaciones de seguridad no funcionen del modo previsto. Esto también se aplica a la instalación de accesorios o extras opcionales suministrados por terceros. Lo mismo puede suceder si se desmontan o retiran componentes esenciales para el funcionamiento y la seguridad de la estufa.

En cualquier caso, el fabricante no se hará responsable del producto y el derecho a realizar una reclamación quedará anulado y sin validez.

3.1 Medidas de prevención de incendios

Existe un cierto elemento de riesgo cada vez que se usa la estufa. Por lo tanto, deben respetarse las siguientes instrucciones:

- Las distancias mínimas de seguridad al utilizar la estufa se muestran en la **fig. 1**.
- Asegúrese de que no haya muebles ni otros elementos inflamables demasiado cerca de la estufa. Los elementos inflamables no deberían estar a menos de **1100 mm** de la estufa.
- Deje que el fuego se consuma por sí solo. Nunca apague las llamas con agua.
- La estufa se calienta cuando está encendida y puede causar quemaduras si se toca.
- Saque las cenizas solo con la estufa fría. Las cenizas pueden contener rescoldos calientes y, por lo tanto, deberán ponerse en un recipiente no inflamable.
- Las cenizas deberán sacarse al exterior o vaciarse en un lugar donde no supongan un riesgo de incendio.

Si se produce un incendio en la chimenea

- Cierre todas las trampillas y los respiraderos.
- Cierre la puerta de la estufa.
- Compruebe si hay humo en el sótano y en la buhardilla.
- Llame a los bomberos.
- Después de producirse un incendio, un experto deberá comprobar la estufa y la chimenea antes de utilizarse para asegurar que funciona correctamente.

3.2 Suelo

Anclaje, base

Debe verificar que la base se adecue a la instalación de una estufa. Compruebe el peso especificado en «**2.0 Especificaciones técnicas**».

Se recomienda retirar el revestimiento del suelo que no vaya fijado a la superficie correspondiente («suelos flotantes»).

Patas cortas (Accesorios opcionales)

La estufa Jøtul F 305 con patas cortas solo se puede instalar sobre suelos en los que tanto el revestimiento como la base sean de materiales incombustibles. El área de suelo incombustible debe prolongarse al menos 500 mm alrededor de la estufa.

En esta zona, desaconsejamos la instalación de suelo radiante, ya sea por agua o eléctrico.

Requisitos para la protección de tarimas de madera bajo la estufa

El producto con base integra una protección del piso y, por lo tanto, puede colocarse directamente sobre un suelo de madera.

El producto con patas deben tener una placa de protección debajo y adelante en concordancia con las regulaciones nacionales.

¡Atención! El espacio libre debajo del producto con patas debe mantenerse libre.

Quite de debajo del producto cualquier revestimiento de suelo elaborado en materiales inflamables, tales como linóleo, alfombras/moquetas, etc.

Requisitos para la protección de suelos inflamables delante de la estufa

La placa delantera/la placa de piso debe ajustarse a las leyes y normas nacionales.

Consulte a las autoridades locales en materia de construcción sobre posibles restricciones y requisitos de instalación.

3.3 Paredes

Distancia a paredes hechas de material combustible: ver la **fig. 1b**.

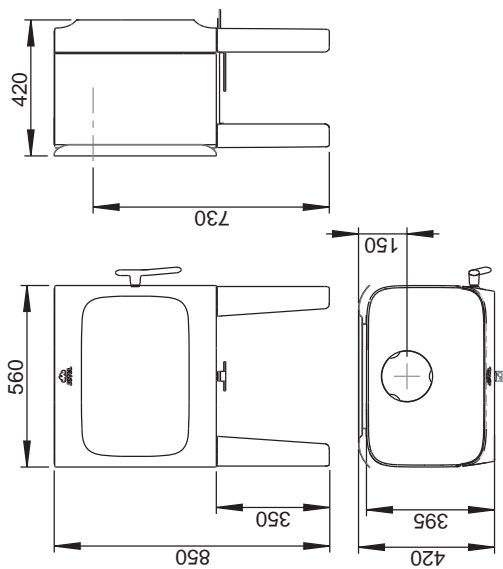
Distancia mínima a una pared de material combustible protegida con cortafuegos: ver la **fig. 1c**.

La estufa puede usarse con un tubo de tiro sin aislar siempre que las distancias entre la misma y las paredes hechas de materiales combustibles sean como las mostradas en la **fig. 1b**.

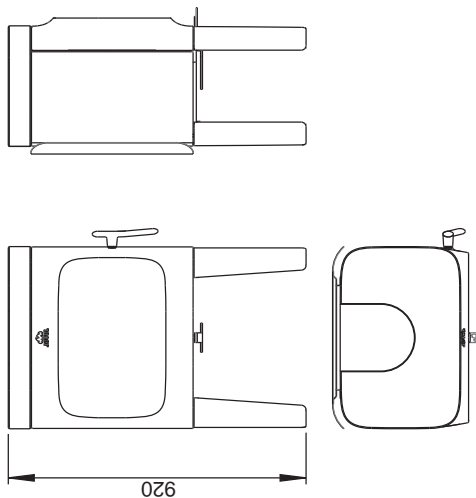
Fig. 1a

Jøtul F 305

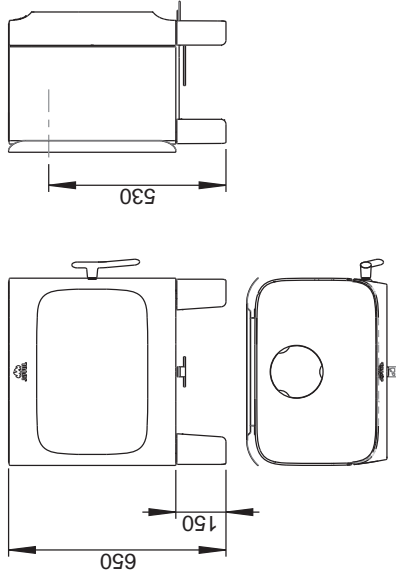
Jøtul F 305 con patas largas



Jøtul F 305 con patas largas y tapa de esteatita



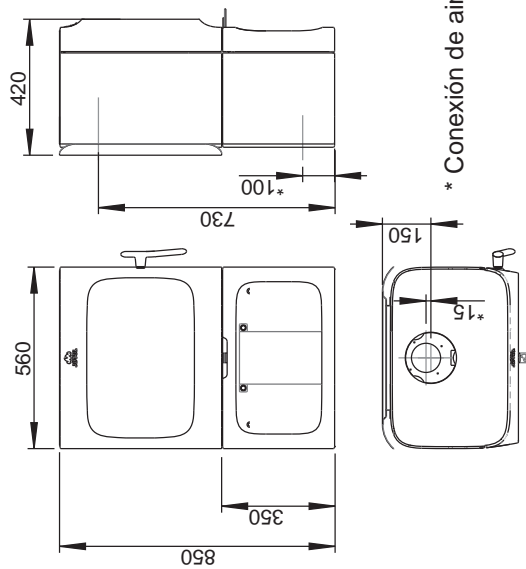
F 305 patas cortas



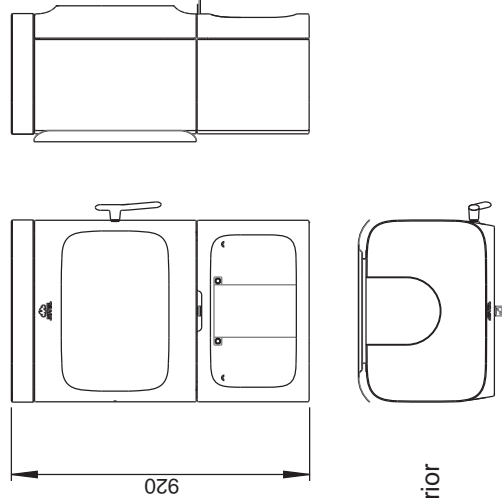
La estufa Jøtul F 305 con patas cortas solo se puede instalar sobre suelos en los que tanto el revestimiento como la base sean de materiales incombustibles. El área de suelo incombustible debe prolongarse al menos 500 mm alrededor de la estufa.

En esta zona, desaconsejamos la instalación de suelo radiante, ya sea por agua o eléctrico.

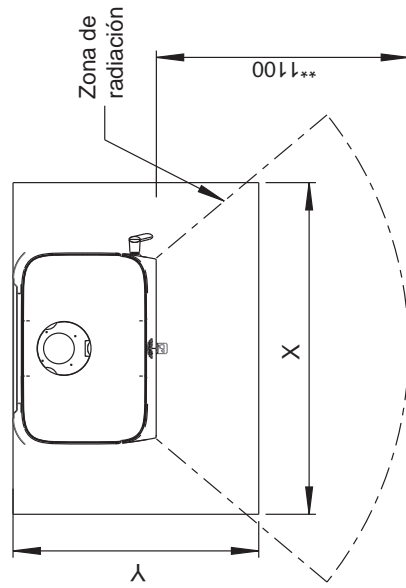
Jøtul F 305 con base



Jøtul F 305 con base y tapa de esteatita



Plancha de suelo



Dimensiones mínimas de la placa de piso

X / Y = De conformidad con las leyes y reglamentos nacionales.

** Distancia mínima a muebles / materiales combustibles.

Distancia mínima a pared de material combustible

Pared de material combustible

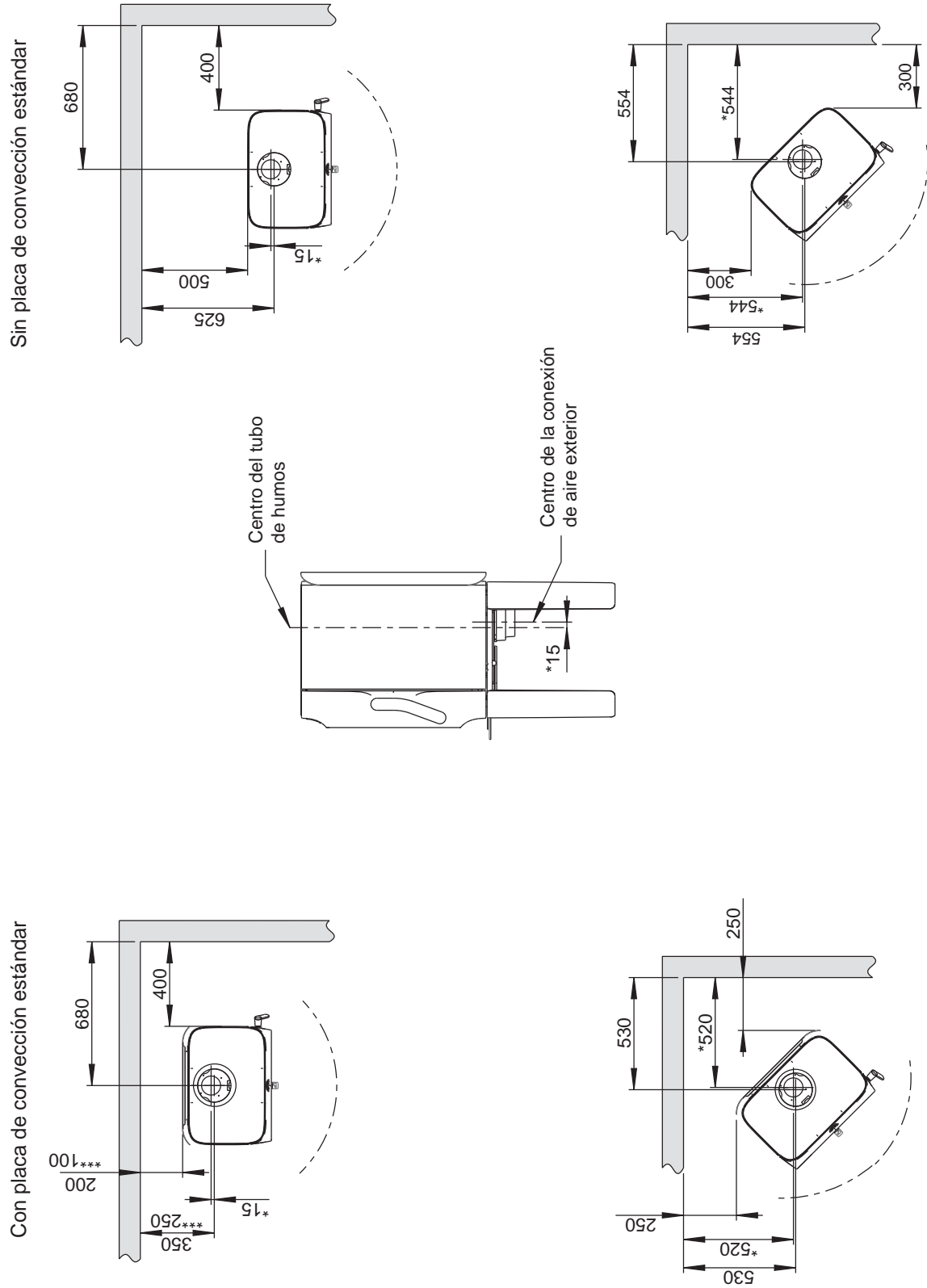


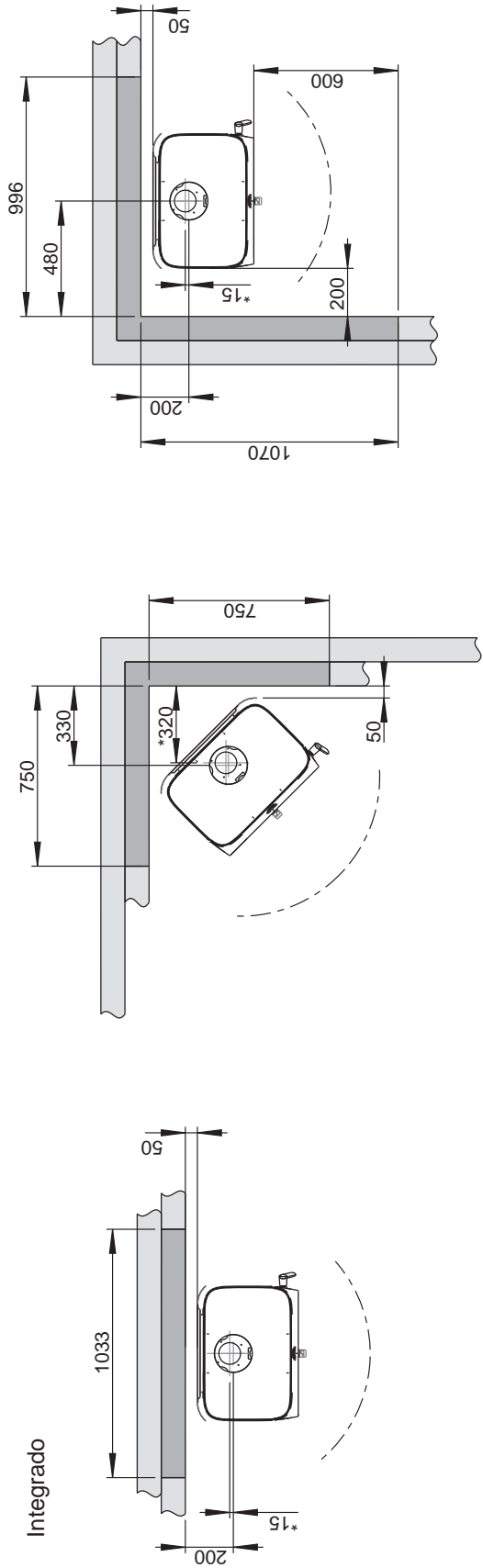
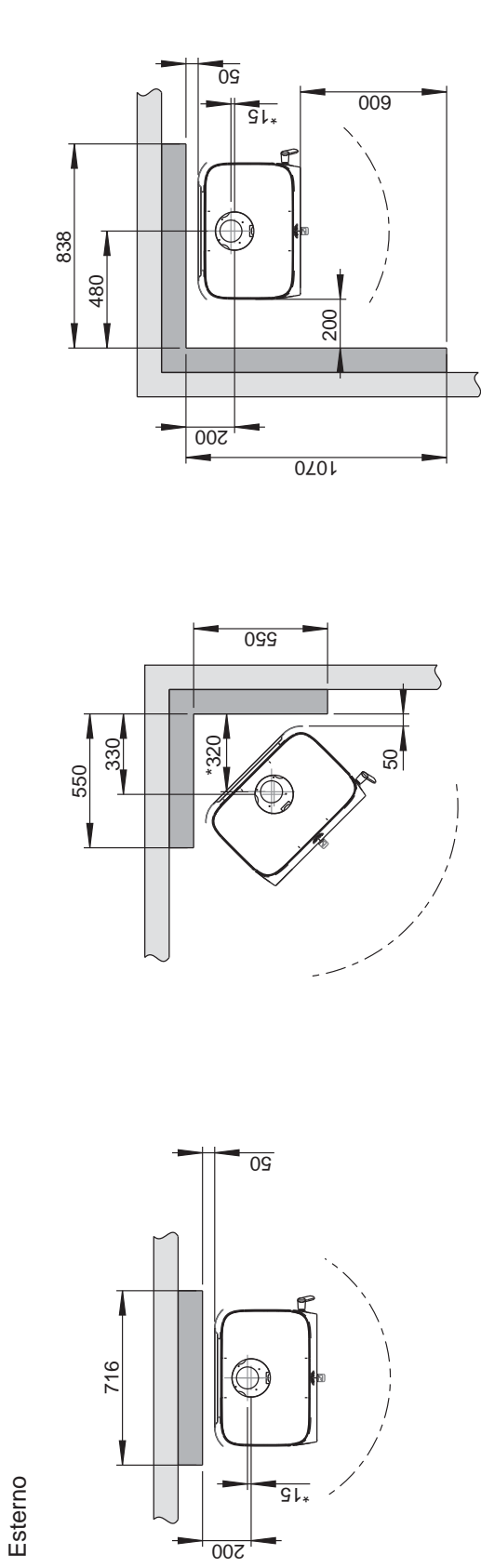
Fig. 1b

* Conexión de aire exterior

*** Distancia a pared inflamable con tubo de humos semiaislado o con pantalla térmica.

Distancia mínima a una pared de material combustible protegida con cortafuegos

Pared de material combustible
Muro cortafuegos



900171-P00

* Conexión de aire exterior

Suministro de aire

El volumen de aire de combustión para los productos de Jøtul es de aproximadamente 20-40 m³/h.

La conexión de aire exterior se puede conectar directamente a la Jøtul F 305 por:

- a parte inferior
- a través de un tubo flexible desde el exterior/chimenea (solo si la chimenea tiene su propio conducto para aire externo) y al conector de aire externo del producto.

Fig. 2A, a través de una pared exterior

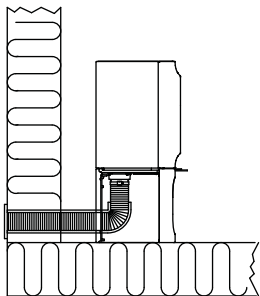


Fig. 2B, a través de la placa de piso y el suelo

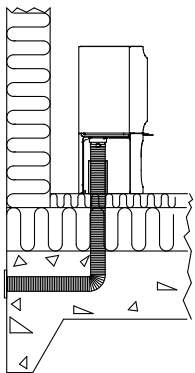


Fig. 2C, a través del suelo y el zócalo

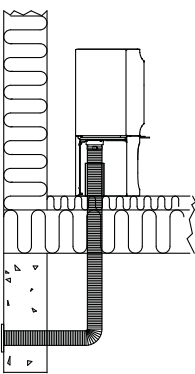
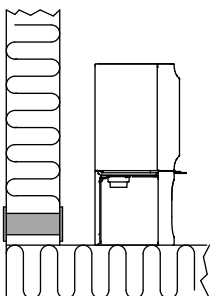


Fig. 2D, indirectamente a través de una pared exterior



4.0 Instalación

Nota: Compruebe que la estufa esté intacta antes de iniciar la instalación.

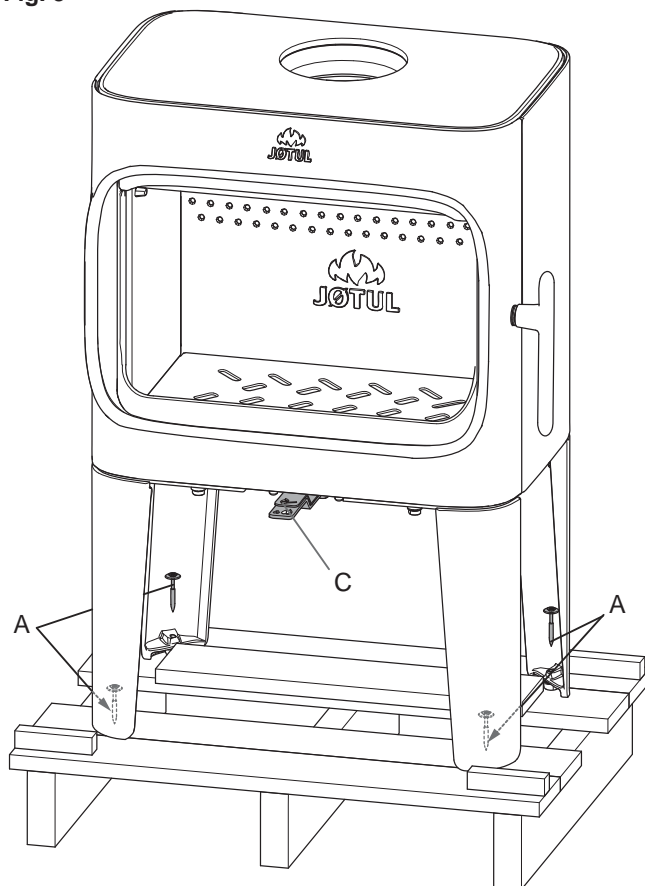
Nota: ¡Atención! El producto es pesado. Utilice ayuda para situar e instalar el producto. La cámara de combustión es pesada. Asegúrese de que el producto no vuelque.

Nota: No ponga nada sobre la tapa de la estufa; el acabado de pintura o esmalte podría sufrir daños permanentes.

Nota: Lea detenidamente las Instrucciones de instalación y funcionamiento antes de instalar la estufa.

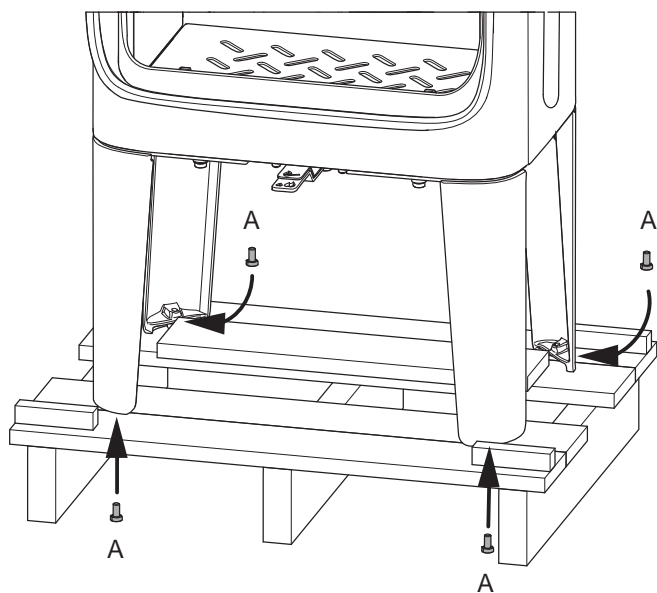
4.1 Antes de la instalación - Jøtul F 305 con patas

Fig. 3



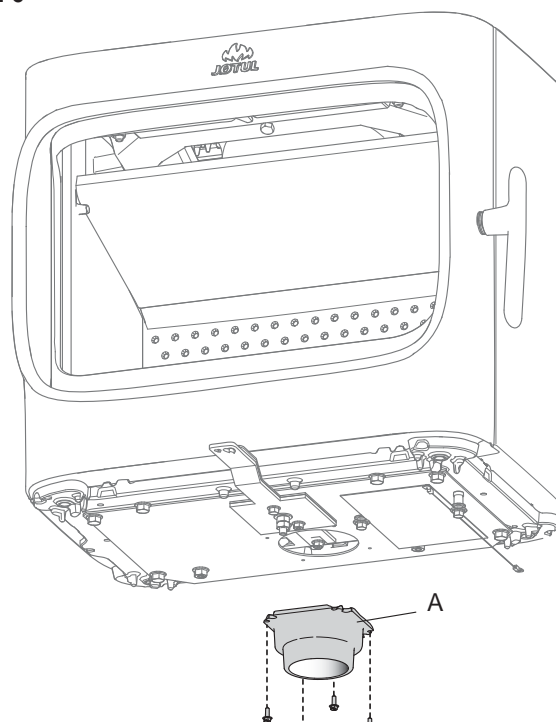
1. Quite los cuatro tornillos de transporte (A) que sujetan la estufa al palé de madera.
2. No baje de momento la estufa del palé.
3. Saque los guantes del cajón cenicero.
4. Saque la placa deflectora, la bandeja recogeceniza, la base interior y la bolsa de tornillos de la cámara de combustión.
5. Compruebe que los mandos de regulación (C) se mueven sin problemas.

Fig. 4



6. Monte los tornillos de ajuste de la altura con tapa de plástico (A) que encontrará en la bolsa de tornillos.
7. Baje la estufa del palé.
8. Ponga la estufa de pie y ajústela a la altura correcta con ayuda de los tornillos de ajuste de la altura. Nota: Tenga en cuenta la altura de la plancha de suelo. Si el tubo de humos y la toma de aire exterior van a ir en la parte trasera de la estufa, haga en la pared las marcas correspondientes.

Fig. 6

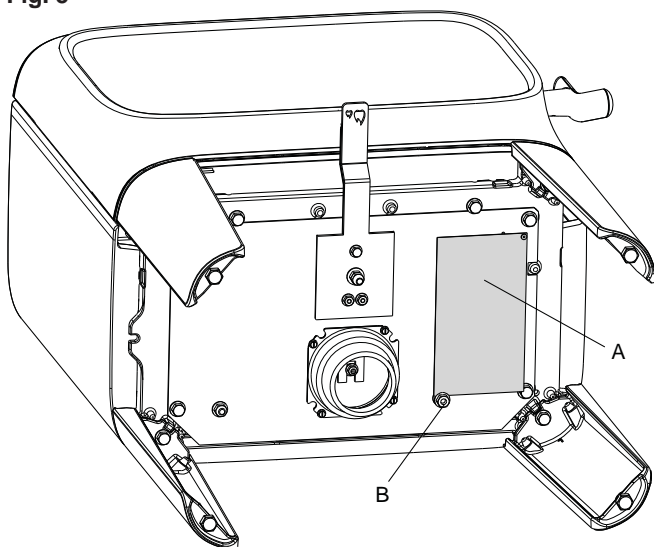


2. Si no va a usar toma de aire exterior puede, si lo desea, desmontar el conector para aire exterior (A). Quite los cuatro tornillos que sujetan el conector para aire exterior y extraiga el conector. (Productos con base: En caso necesario, puede desatornillar la pantalla térmica que hay bajo la cámara de combustión para desmontar el conector.

Chapa de homologación

Jøtul F 305 con patas

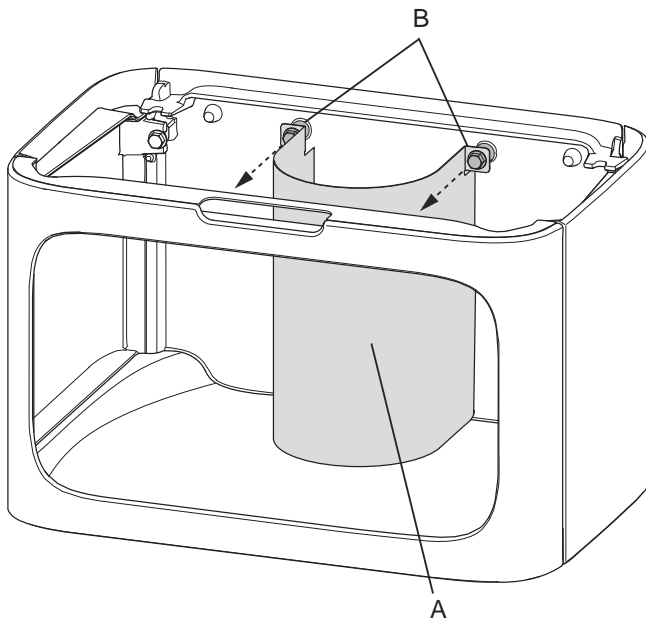
Fig. 5



1. Saque la chapa de homologación (A) del cajón cenicero y sujétela con la tuerca (B) como se muestra. Apriete la tuerca con los dedos exclusivamente. Nota: No corte el alambre utilizado para sujetar la chapa.

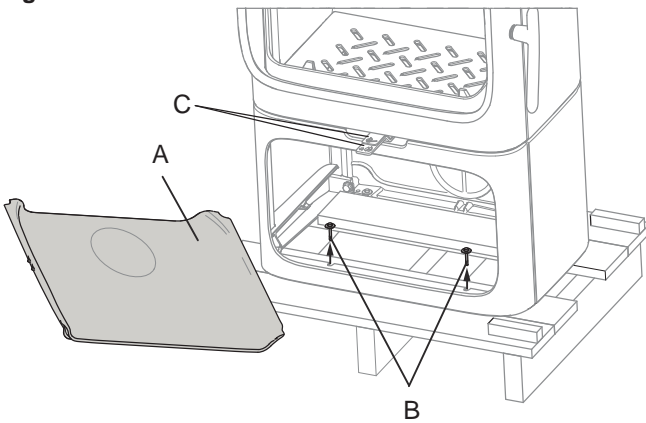
4.2 Instalación - Jøtul F 305 con base

Fig. 7



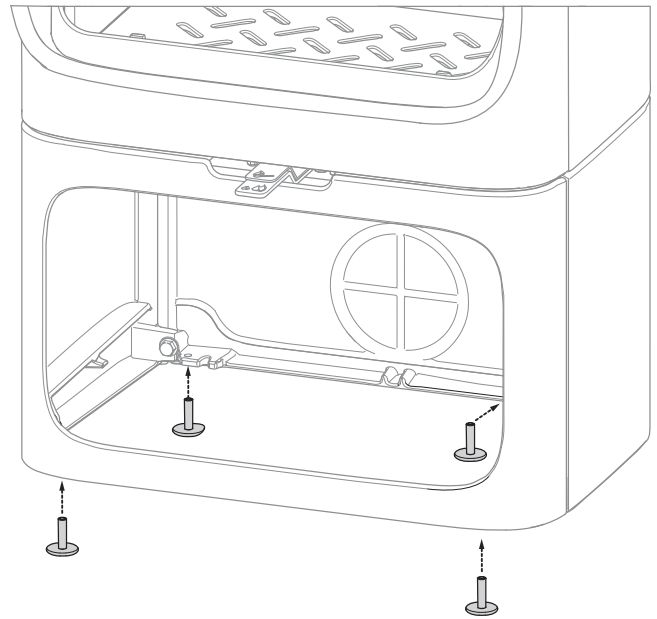
1. Desmonte la tapa de la toma de aire exterior (A) quitando los tornillos (B).

Fig. 8



2. Saque los guantes del cajón cenicero.
3. Saque la placa deflectora, la bandeja recogeceniza y la bolsa de tornillos de la cámara de combustión.
4. Compruebe que los mandos de regulación (C) se mueven sin problemas.
5. Levante la placa inferior (A) sujetándola por la esquina delantera izquierda. Extráigala inclinándola de un lado.
6. Quite los cuatro tornillos de transporte (B) que sujetan la estufa al palé de madera.
7. Baje la estufa del palé y colóquela (consulte la fig. 1).

Fig. 9

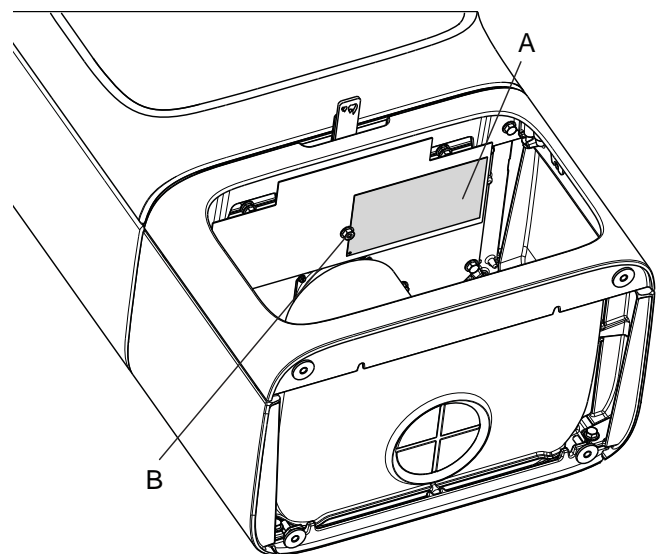


8. Ajuste la base con los tornillos de ajuste de la altura. Utilice para ello la llave hexagonal que encontrará en la bolsa de tornillos. **Nota: Tenga en cuenta la altura de la plancha de suelo.**
9. Si el tubo de humos y la toma de aire exterior van a ir en la parte trasera de la estufa, haga en la pared las marcas correspondientes (consulte la fig. 1).
10. Si el tubo de humos y/o la toma de aire exterior van a ir en la parte trasera de la estufa, separe la estufa de la pared y prepare las conexiones.

Chapa de homologación

Jøtul F 305 con base

Fig. 10

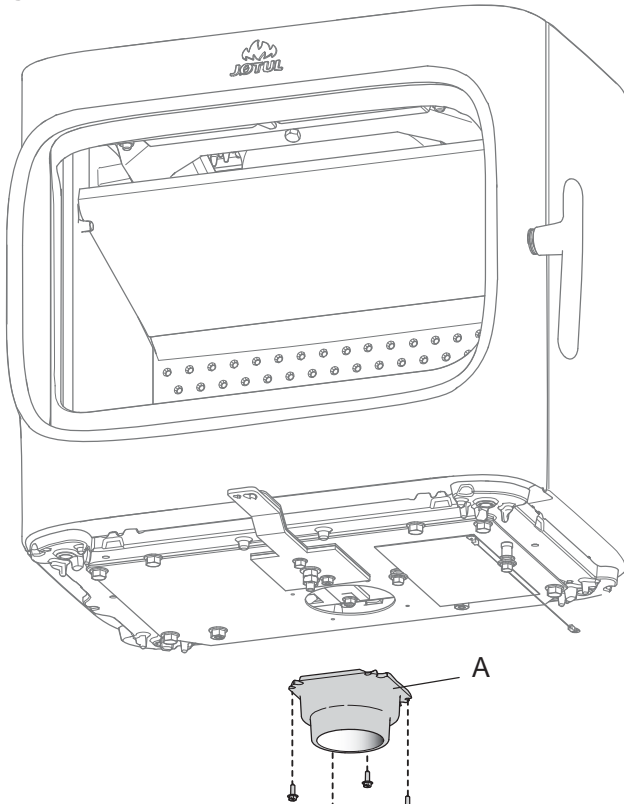


1. Saque la chapa de homologación (A) del cajón cenicero y sujétela con la tuerca (B) como se muestra. Apriete la tuerca con los dedos exclusivamente. **Nota: No corte el alambre utilizado para sujetar la chapa.**

4.3 Conexión de aire exterior

Sin toma de aire exterior

Fig. 11

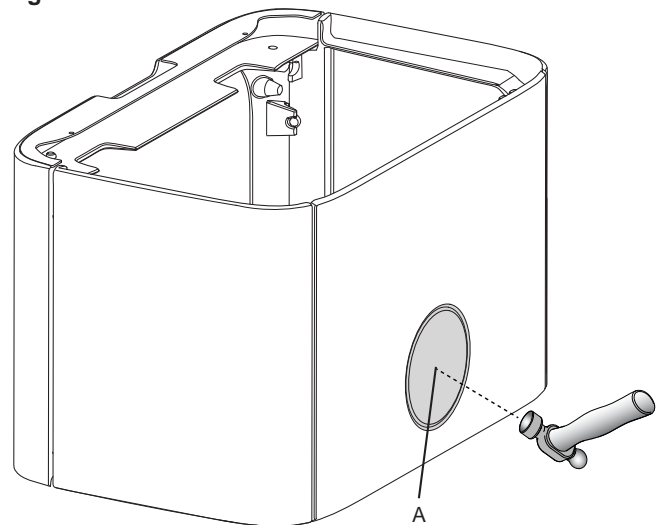


- Si no va a usar toma de aire exterior puede, si lo desea, desmontar el conector para aire exterior (A). Quite los cuatro tornillos que sujetan el conector para aire exterior y extraiga el conector. **(Productos con base:** En caso necesario, puede desatornillar la pantalla térmica que hay bajo la cámara de combustión para desmontar el conector.
- Vuelva a montar la placa de convección después de quitar el conector para aire exterior.

Toma de aire exterior por la base

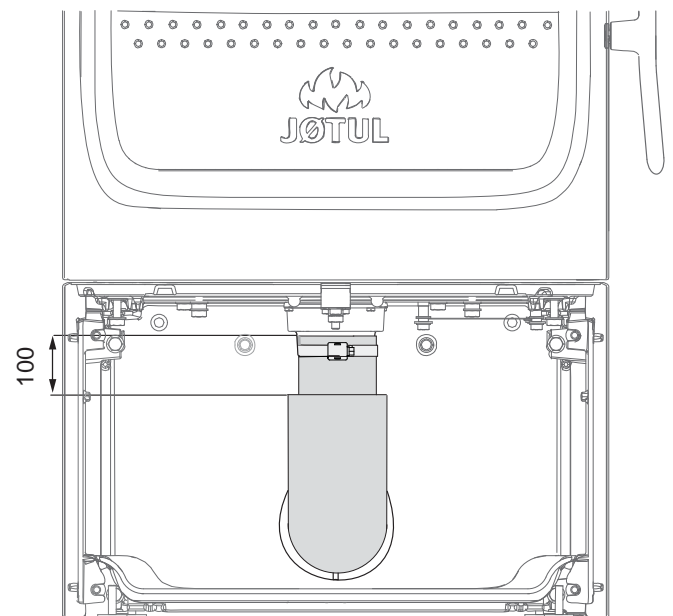
Por la salida trasera de la base

Fig. 12



- Coloque un cartón por la parte de dentro de la placa trasera para evitar que la tapa, al quitarla, dañe la base. Quite la tapa golpeándola con un martillo.

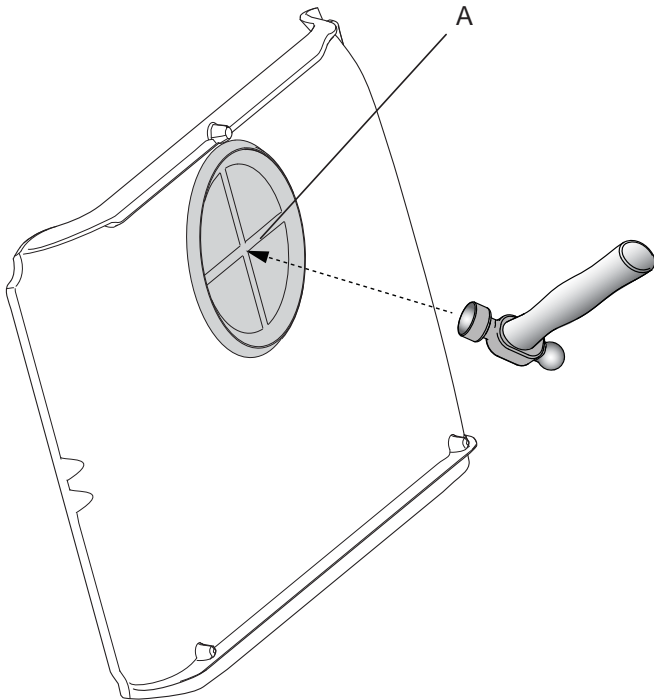
Fig. 13



- Consulte las instrucciones de instalación que se suministran con el kit para aire exterior.
- Sujete el tubo al conector para aire exterior con una abrazadera para tubo. El aislante del tubo para aire exterior termina a unos **100 mm** del conector, debajo de la cámara de combustión.

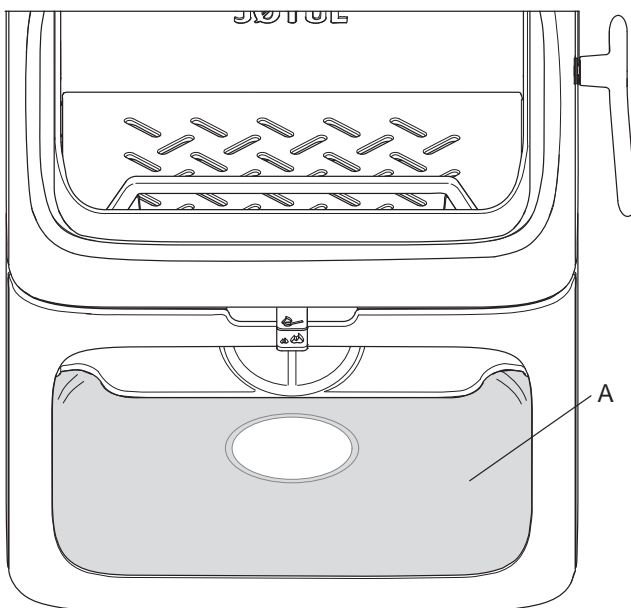
Toma de aire exterior por la placa inferior de la base

Fig. 14



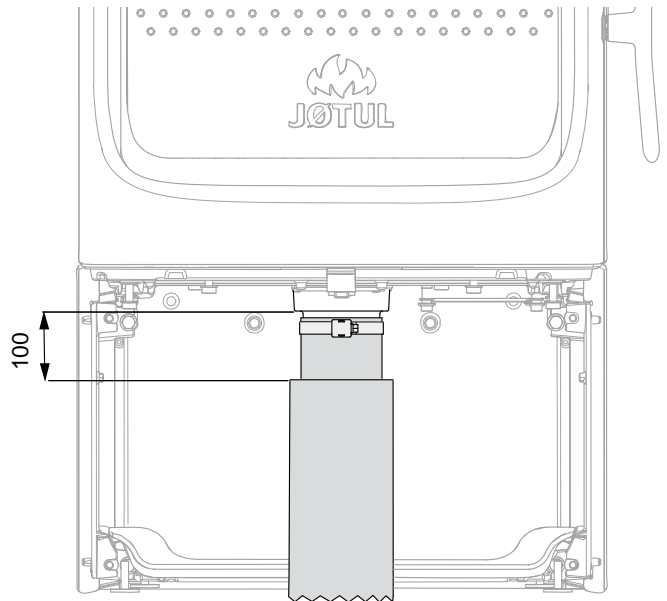
1. Ponga un cartón por la parte trasera de la placa inferior para evitar que la tapa (A), al quitarla, cause algún daño. Quite la tapa golpeándola con un martillo.

Fig. 15



2. Vuelva a montar la placa inferior.
3. Ponga la estufa en su posición definitiva de instalación. Consulte en la fig. 1 las distancias de seguridad que debe respetar.

Fig. 16



4. Consulte las instrucciones de instalación que se suministran con el kit para aire exterior.
5. Sujete el tubo al conector para aire exterior con una abrazadera para tubo. El aislante del tubo para aire exterior termina a unos 100 mm del conector, debajo de la cámara de combustión.

4.3 Chimenea y tubo del tiro

- La estufa solo debe conectarse a una chimenea y tubo de tiro homologados para estufas de combustible sólido con temperaturas de gas de tiro conforme a lo especificado en «**2.0 Datos técnicos**».
- La sección de la chimenea debe estar diseñada para ajustarse a la estufa. Emplee «**2.0 Datos técnicos**» para calcular la sección correcta de chimenea.
- La chimenea debe conectarse de acuerdo con las instrucciones de instalación del proveedor de la chimenea.
- Antes de practicar un orificio en la chimenea, debe instalarse provisionalmente el producto para marcar correctamente la posición de la estufa y del orificio de la chimenea. Consulte la **Fig. 1** para determinar las dimensiones mínimas.
- Asegúrese de que el tubo de tiro suba todo a lo largo de la chimenea.
- Con una salida trasera, emplee un codo de tubo de tiro con una trampilla que permita su deshollinado.
- No olvide que es de suma importancia que las conexiones ofrezcan un cierto grado de flexibilidad. Ello tiene como fin prevenir que el movimiento de la instalación pueda generar grietas.
- Para recomendaciones sobre la corriente de chimenea, consulte el apartado «**2.0 Especificaciones técnicas**». Para las dimensiones del tubo de tiro con la sección correspondiente, consulte «**2.0 Especificaciones técnicas**».

N. B.: La longitud mínima recomendada de la chimenea es de 3,5 m desde la inserción del tubo de tiro. Si la corriente es demasiado fuerte, podrá instalarse un amortiguador de tubo de tiro y utilizarse para reducir la corriente.

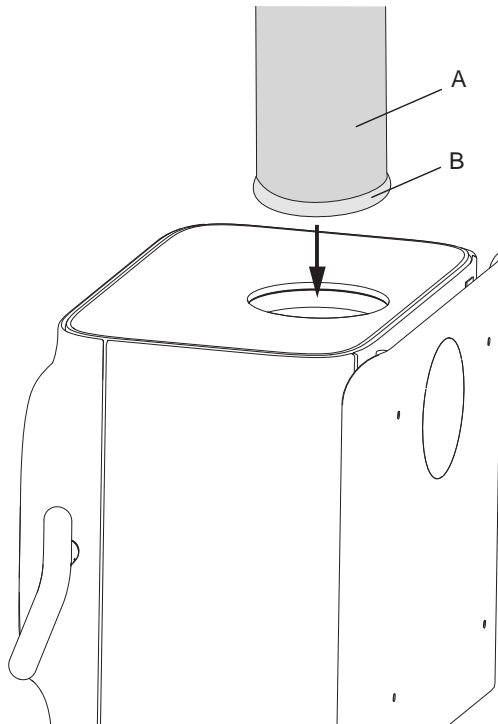
Rejilla de protección apta para deshollinador

Nota: Si se conecta una chimenea de acero a la salida de la parte superior, hay que montar una rejilla de protección apta para deshollinador en la salida de la parte superior (accesorios opcionales).

4.4 Instalación de tubo de humos con salida por la parte superior

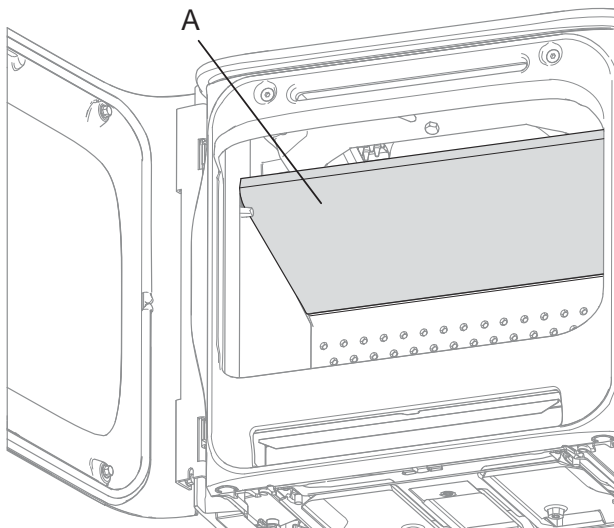
El producto se suministra de fábrica con la salida de humos en la parte superior.

Fig. 17



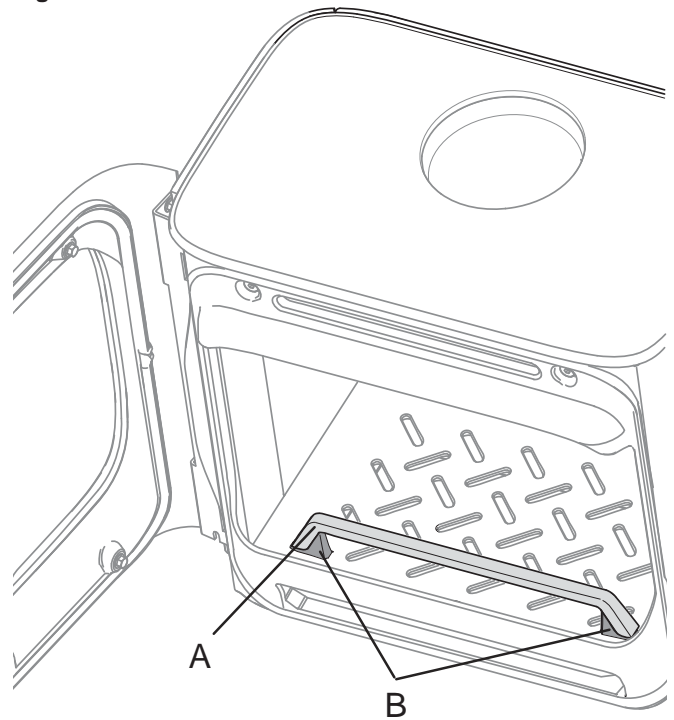
1. Introduzca el tubo de humos **(A)** por la placa superior y ajústelo a la salida de humos superior.
2. Coloque una junta **(B)** para garantizar la estanqueidad.

Fig. 18



3. Coloque la placa deflectora **(A)** como se muestra en la figura.

Fig. 19



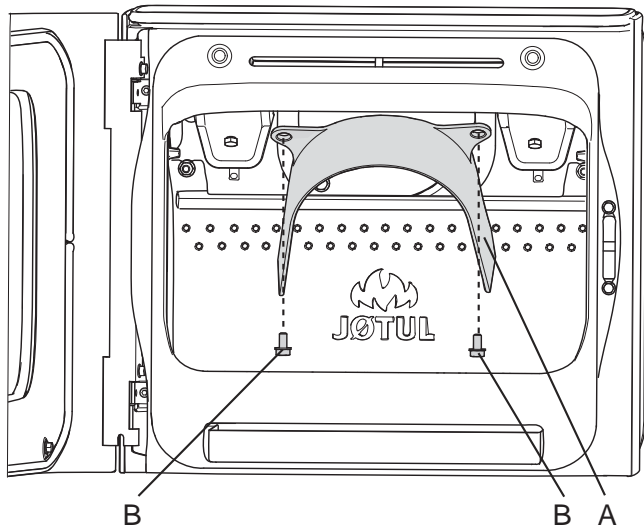
4. Coloque la barra sujetaleños **(A)** en los salientes **(B)**.

ESPAÑOL

4.5 Instalación de tubo de humos con salida por la parte posterior

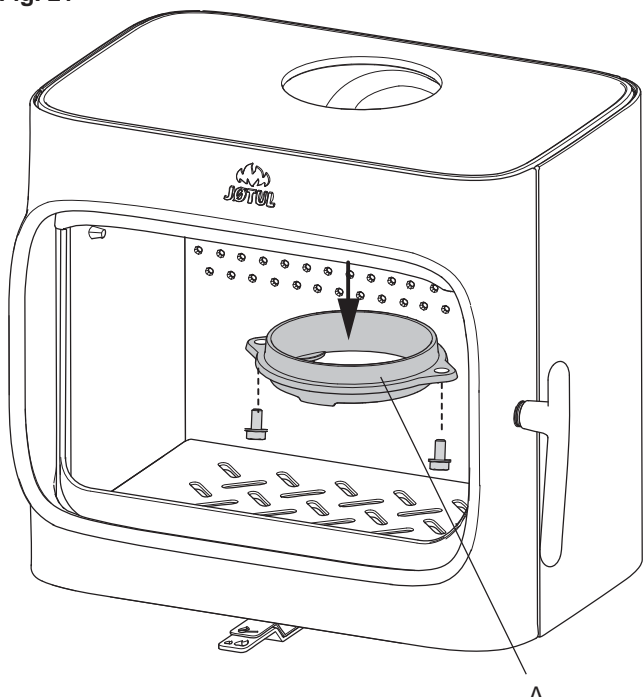
El producto se suministra de fábrica con la salida de humos en la parte superior. Si necesita que el tubo de humos vaya en la parte posterior, realice los pasos siguientes:

Fig. 20



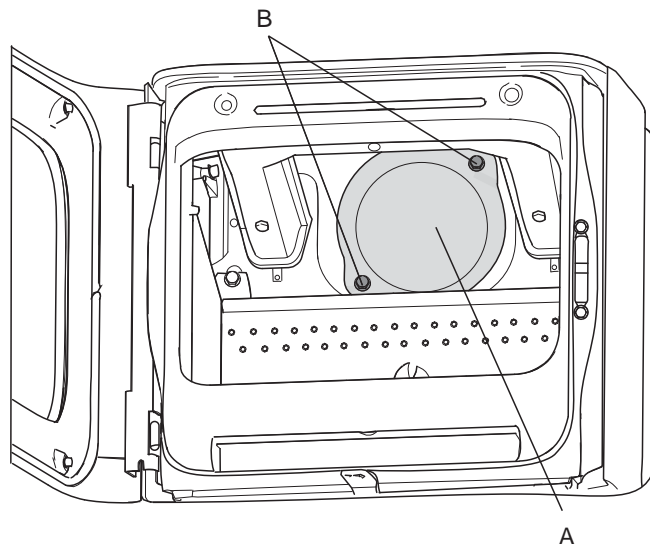
1. Coloque el producto en la posición correcta. Consulte la **fig. 1**.
2. Quite los tornillos (**B**) y extraiga el deflector de escape (**A**).

Fig. 21



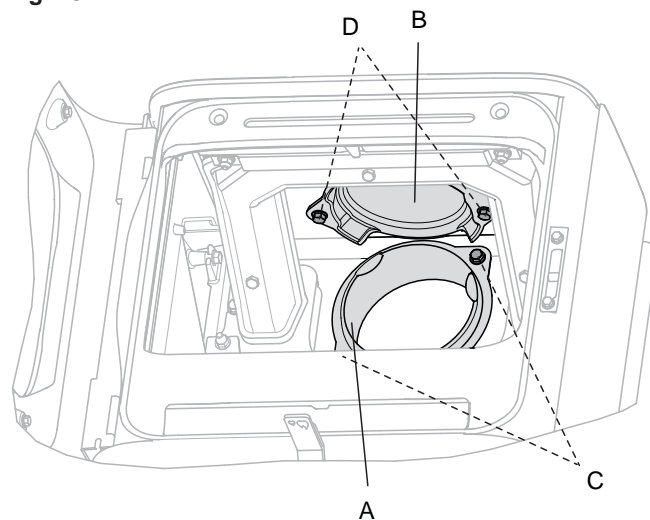
3. Desmonte el conector para tubo de humos de la parte superior (**A**) quitando los tornillos.

Fig. 22



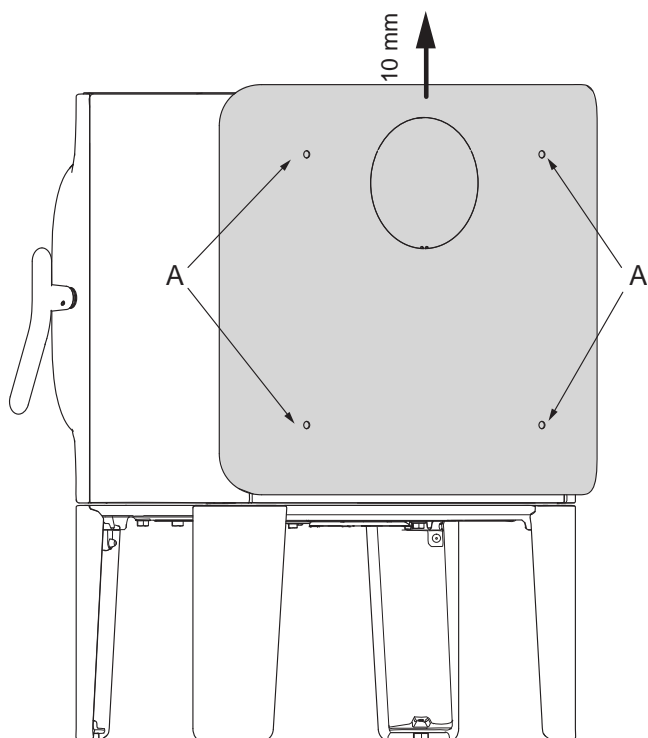
4. Quite los tornillos (**B**) y extraiga la tapa (**A**) de la salida posterior desde dentro de la cámara de combustión.

Fig. 23



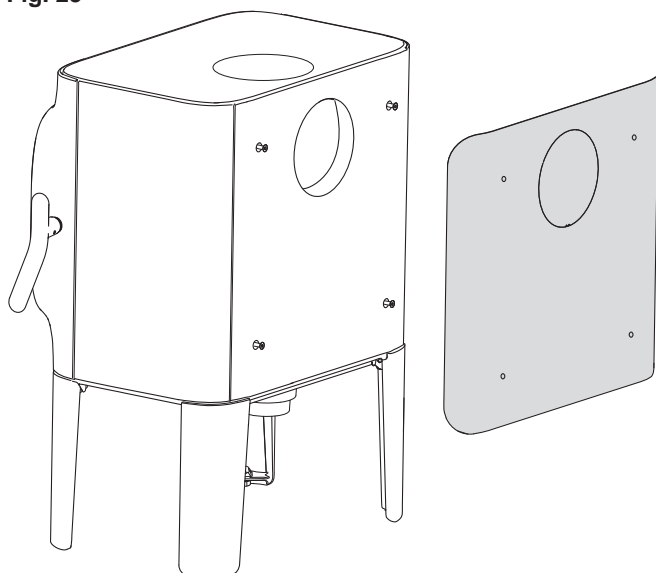
5. Sujete el conector para tubo de humos (**A**) a la salida posterior con los dos tornillos (**C**) desde dentro de la cámara de combustión.
6. Monte la tapa (**B**) en la salida superior con los dos tornillos (**D**) desde dentro de la cámara de combustión.
7. Monte el deflector de escape (**fig. 20 A**).

Fig. 24



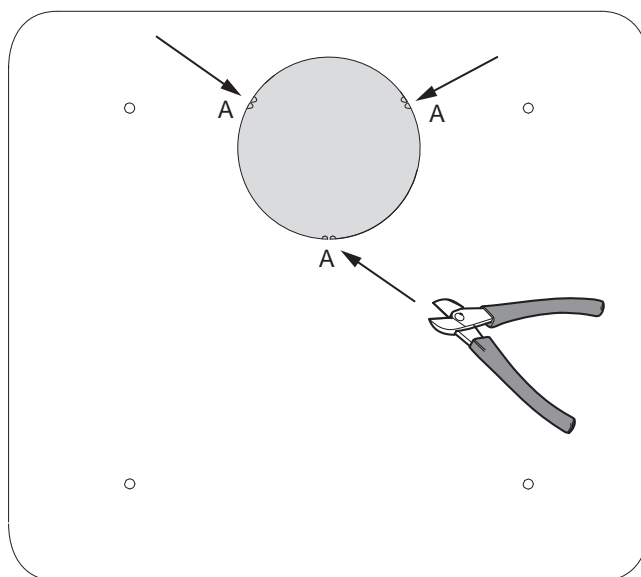
8. Afloje los cuatro tornillos (A) pero no los saque del todo y levante la placa de convección unos 10 mm.

Fig. 25



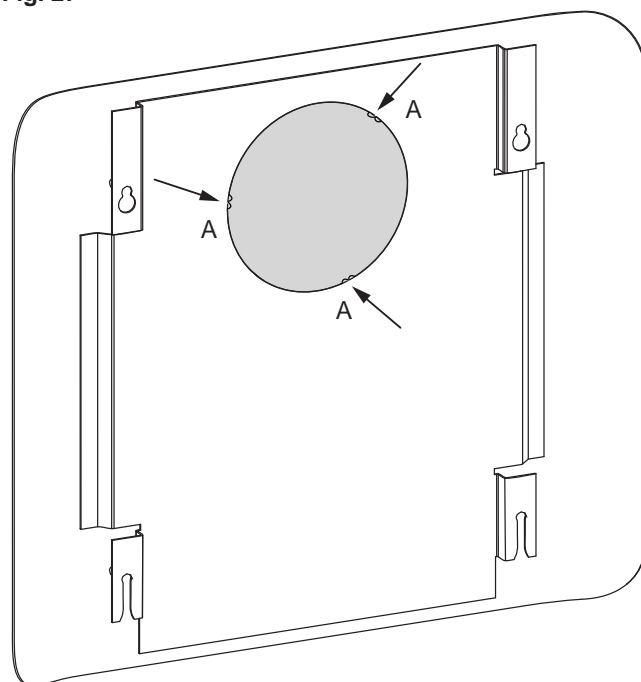
9. Desenganche la placa de convección.

Fig. 26



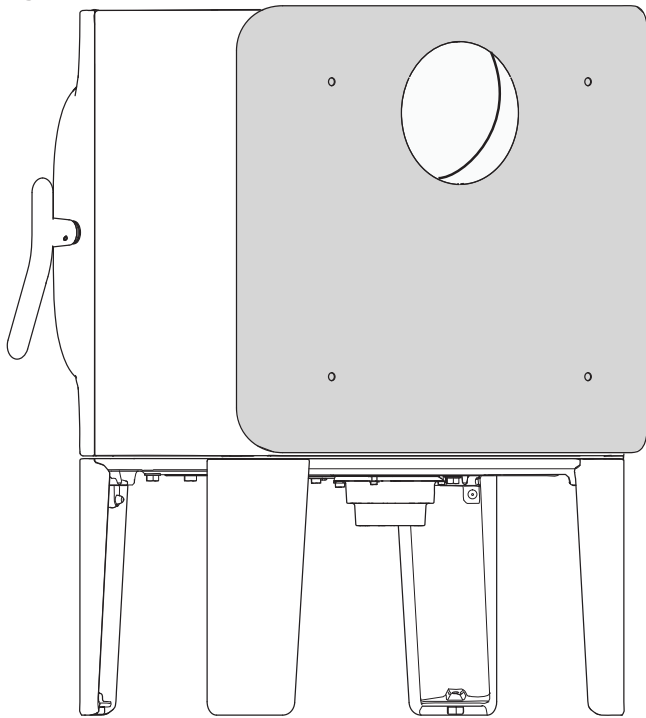
10. Corte la salida posterior en los puntos (A) indicados y quite la tapa.

Fig. 27



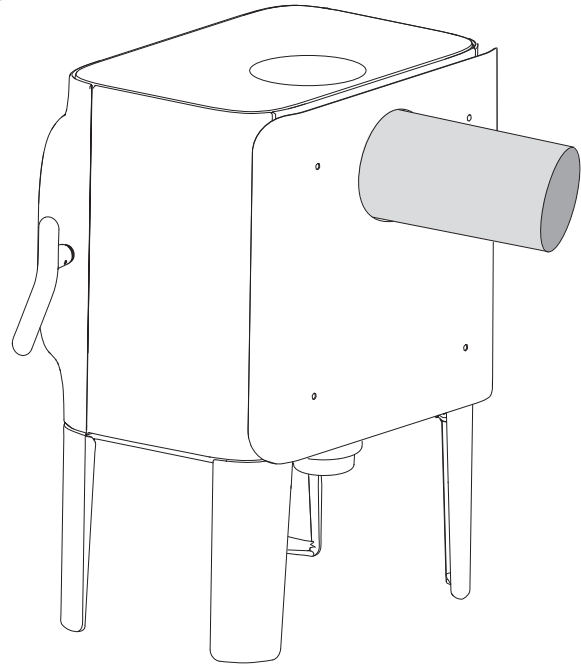
11. Haga lo mismo en la parte interior de la placa de convección.

Fig. 28



12. Vuelva a enganchar la placa de convección en la estufa y sujétela apretando los cuatro tornillos.

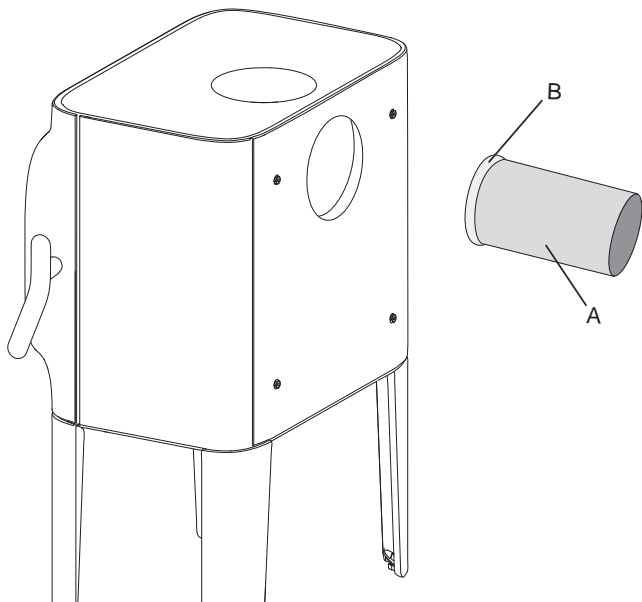
Fig. 30



14. Inserte el tubo de humos en la salida posterior.

Nota: Es importante que la unión entre la salida y el tubo sea totalmente hermética. Las fugas de aire pueden impedir que el producto funcione adecuadamente.

Fig. 29

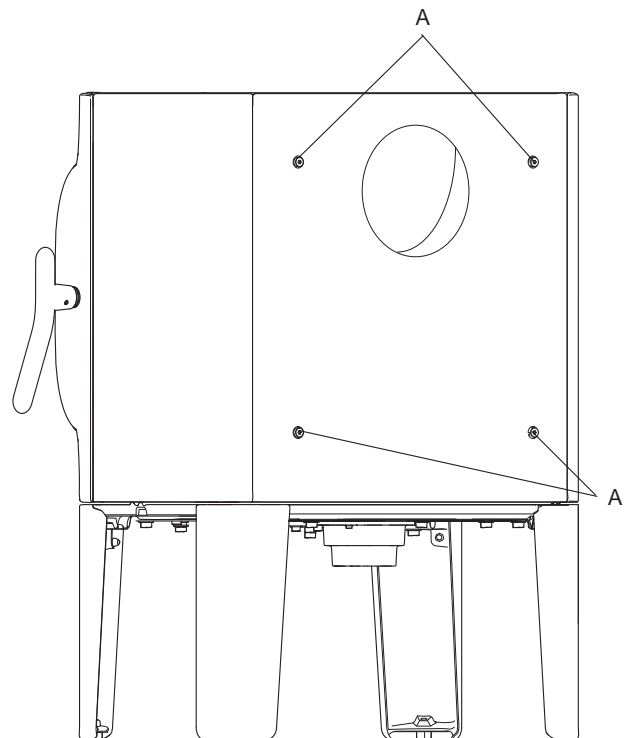


13. Ponga la junta (B) en el borde del tubo de humos (A).

Estufa sin placa de convección

Nota: Si no se monta placa de convección, la alineación del producto difiere (**consulte la fig. 1**).

Fig. 31

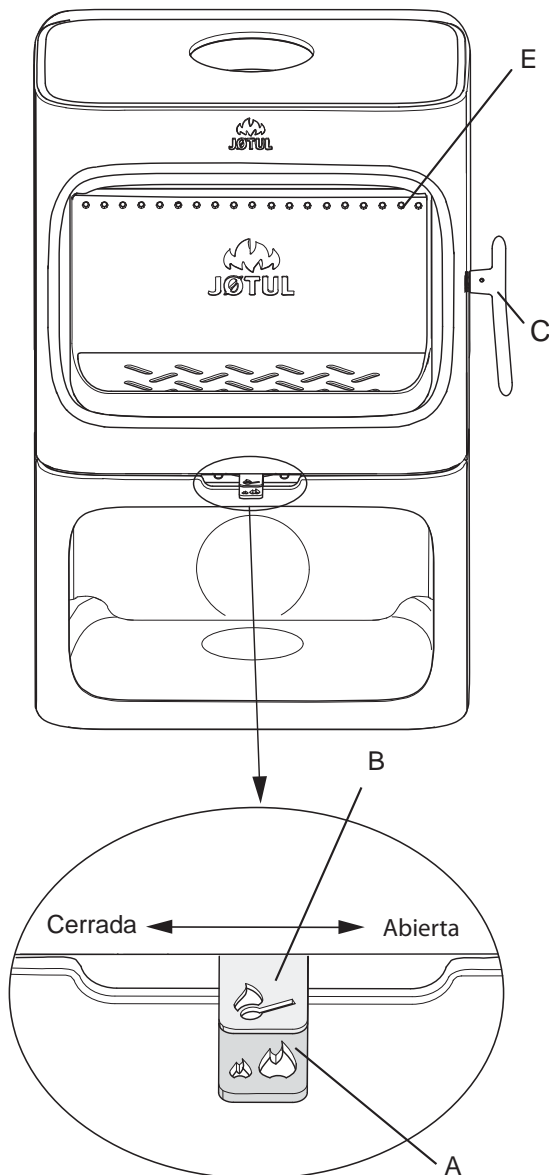


1. Si no va a montar la placa de convección en la cámara de combustión, vuelva a apretar los cuatro tornillos (A).

4.6 Comprobación del rendimiento

Compruebe siempre los manillares de control después de ensamblar el producto. Deben moverse con facilidad y operar de modo satisfactorio.

Fig. 32



La Jøtul F 305 cuenta con los elementos siguientes:

Entrada de aire secundario (A)

Posición izquierda: Cerrada
Posición derecha: Abierta

Entrada de aire primario (B)

Posición izquierda: Cerrada
Posición derecha: Abierta

Tirador (C)

Para abrir la puerta.

Altura de pila (E) para la madera (los agujeros no deben quedar tapados).

5.0 Uso diario

Olores al usar la estufa por primera vez

Cuando se usa la estufa por primera vez, puede emitir un gas irritante que huele ligeramente. Esto ocurre debido a que se seca la pintura. El gas no es tóxico, pero la habitación deberá ventilarse completamente. Deje que el fuego arda con mucha corriente hasta que haya desaparecido todo rastro del gas y no sea posible detectar humo ni olores.

Consejos de calentamiento

Nota: Los troncos que se hayan almacenado en el exterior o en una habitación fría deberán meterse al interior 24 horas antes de usarlos para que alcancen la temperatura ambiente. Hay varias formas de calentar la estufa, pero siempre es importante tener cuidado con lo que introduce en ella. Consulte la sección sobre “Calidad de la madera”.

¡Atención! Un suministro de aire inadecuado puede dar lugar a una combustión deficiente, altas emisiones y un menor nivel de eficiencia.

Calidad de la madera

Por madera de calidad nos referimos a los tipos más conocidos de madera, como abedul, picea y pino.

Los troncos deben secarse de forma que su contenido en humedad no supere el 20 %.

Para esto, los troncos deben cortarse a finales del invierno. Deben partirse y apilarse de forma que se garantice una buena ventilación. Las pilas de madera deben estar cubiertas para proteger los troncos de la lluvia. Los troncos deben ponerse a cubierto a principios del otoño y apilarse para utilizarlos en el próximo invierno.

Tenga cuidado especialmente de no usar nunca los siguientes materiales como combustible en su estufa:

- Basura doméstica, bolsas de plástico, etc.
- Madera pintada o impregnada (que es extremadamente tóxica).
- Planchas de madera laminada.
- Restos de madera

Pueden dañar el producto y también son contaminantes.

Nota: Nunca use gasolina, parafina, alcohol desnaturalizado o líquidos similares para encender el fuego. Puede sufrir lesiones graves y ocasionar serios daños al producto.

Astillas para encender (madera cortada fina):

Longitud:	Max. 41 cm
Diámetro:	2-5 cm
Cantidad necesaria en cada ocasión:	6-8 trozos

Madera (leña):

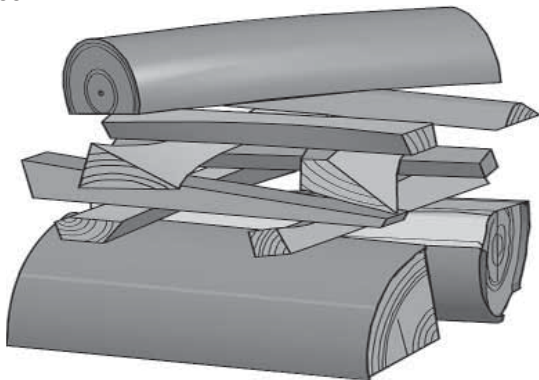
Longitud recomendada:	20 - 30 cm
Diámetro:	aprox. 8 cm
Intervalo de adición de leña:	aprox. cada 45 - 50 minutos
Tamaño del fuego:	1,8 kg (potencia nominal)
Consumo máx. de leña:	2,4 kg
Cantidad necesaria en cada ocasión:	x2

La potencia calorífica nominal se obtiene al abrir el respiradero cerca de un 50 % (fig. 32 A) y entrada de aire primario cerrado.

Encendido inicial

- Abra el respiradero de aire y el respiradero de encendido tirando de los manillares (**Fig. 19 A y B**) hasta el tope. (Use un guante o algo similar para protegerse la mano en caso de que los manillares estén calientes).

Fig. 33



- Coloque dos troncos en la parte inferior de la cámara de combustión y apile las astillas para encender en capas.
- Por último, ponga un tronco de tamaño medio en la parte superior de la pila.
- Ponga 2 ó 3 briquetas o astillas para encender debajo de la capa superior de astillas y encienda el fuego. **Nota:** La altura máxima de la pila de madera debe estar justo debajo de los orificios horizontales. No deben cubrirse los orificios.
- Cierre el respiradero de encendido (**Fig. 32 B**) cuando la madera se haya encendido y arda bien.
- Entonces podrá regular el régimen de combustión para obtener el calor que desee ajustando el respiradero (**fig. 32 A**).
- Compruebe que se inicia la postcombustión (combustión secundaria). Se indica mediante llamas amarillas que bailan delante de los agujeros debajo de la placa deflectora.
- Si el caudal de aire es normal, podrá cerrar la puerta y el fuego se mantendrá por sí mismo.

Añadir madera

Avive la estufa con frecuencia pero añada solo una pequeña cantidad de leña en cada ocasión. Si la estufa está demasiado llena, el calor generado podría causar una elevada tensión en la chimenea. Añada combustible al fuego con moderación. Evite el fuego sin llama, pues es el que produce más contaminación. El fuego irá mejor cuando arda bien y el fuego que salga por la chimenea sea casi invisible.

5.1 Peligro de sobrecalentamiento

La estufa no debe usarse nunca de manera que se sobrecaliente

Se produce sobrecalentamiento cuando hay demasiado combustible y/o demasiado aire y se produce demasiado calor. Un signo seguro de sobrecalentamiento es cuando partes de la estufa se ponen al rojo. Si sucede esto, reduzca de inmediato la abertura del respiradero.

Solicite la ayuda de un profesional si sospecha que la corriente de la chimenea no es correcta (demasiada corriente o demasiado poca). Para más información, consulte «**4.0 Instalación**» (chimenea y tubo de tiro).

5.2 Retirada de cenizas

La Jøtul F 305 tiene una bandeja de cenizas que permite retirar las cenizas con facilidad.

- Saque las cenizas solo con la estufa fría.
- Empuje las cenizas a través de la rejilla en la parte inferior para que caigan en la bandeja de cenizas. Use un guante o algo similar para protegerse la mano. Sujete el manillar de la bandeja de cenizas y extraiga la bandeja. Compruebe que la bandeja de cenizas no se llene nunca tanto que impida que las cenizas caigan a través de la rejilla.
- Compruebe que la bandeja de cenizas entre por completo antes de cerrar la puerta.

6.0 Mantenimiento

6.1 Limpieza del cristal

El producto está equipado con un sistema de inyección de aire para el cristal. El aire se introduce a través del respiradero de la parte superior del producto y se desplaza hacia abajo a lo largo de la cara interior del cristal.

Aunque siempre se adhiere algo de hollín al cristal, la cantidad dependerá de las condiciones de tiro locales y del ajuste del respiradero de ventilación. La mayor parte de la capa de hollín se suele quemar cuando se abre completamente el respiradero de ventilación y arde un fuego vivo en la estufa.

Un buen consejo! Para la limpieza normal humedezca una toalla de papel en agua caliente y añádale cenizas de la cámara de combustión. Frote el cristal con la toalla de papel y, a continuación, enjuáguelo con agua limpia. Séquelo bien. Si es necesario limpiar el cristal más a fondo, recomendamos el empleo de un limpiacristales (*siga las instrucciones de uso del envase*).

6.2 Limpieza y retirada del hollín

Pueden acumularse depósitos de hollín en las superficies internas de la estufa durante el uso. El hollín es un buen aislante y, por lo tanto, reducirá la potencia calorífica de la estufa. Si se acumulan depósitos de hollín mientras usa el producto, puede eliminarlos fácilmente mediante un limpiador de hollín.

Para evitar que se forme una capa de agua y alquitrán en la estufa, debe dejar que el fuego arda con intensidad regularmente para eliminar la capa. Es necesario realizar una limpieza interna anual para obtener el mejor rendimiento térmico del producto. Es buena idea hacerlo al limpiar la chimenea y los tubos de tiro.

6.3 Deshollinar los tubos de tiro en la chimenea

Los tubos de tiro deben deshollinarse a través de la trampilla del tubo de tiro o a través de la abertura de la puerta. Será necesario desmontar primero una de las placas deflectoras para poder hacerlo.

6.4 Inspección de la estufa

Jøtul le recomienda que inspeccione detenidamente la estufa después de limpiarla/deshollinarla. Revise todas las superficies visibles en busca de grietas. Compruebe también que estén selladas todas las uniones y que todas las juntas estén en la posición correcta. Será necesario sustituir cualquier junta que presente signos de desgaste o deformación.

Limpie cuidadosamente las ranuras de la junta, aplique adhesivo cerámico (disponible en su distribuidor de Jøtul más cercano) y coloque la junta en su sitio apretando bien. La unión se secará con rapidez.

6.5 Mantenimiento exterior

Los productos pintados pueden cambiar de color tras varios años de uso. Deberá limpiarse y cepillarse la superficie para retirar cualquier partícula suelta antes de aplicar pintura nueva.

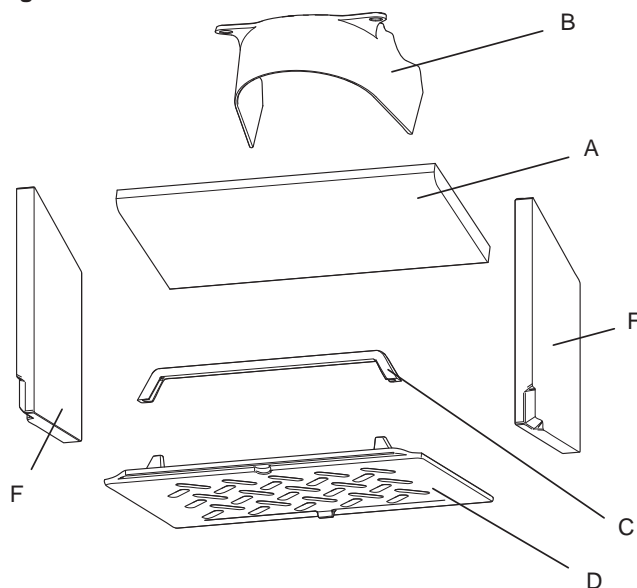
7.0 Servicio

¡Advertencia! Es ilegal cualquier modificación no autorizada del producto. Solo podrán usarse piezas de repuesto originales.

7.1 Mantenimiento/sustitución de piezas de la cámara de combustión

Nota: Use las herramientas con mucho cuidado. Las placas de vermiculita podrían dañarse si se tratan sin cuidado.

Fig. 34

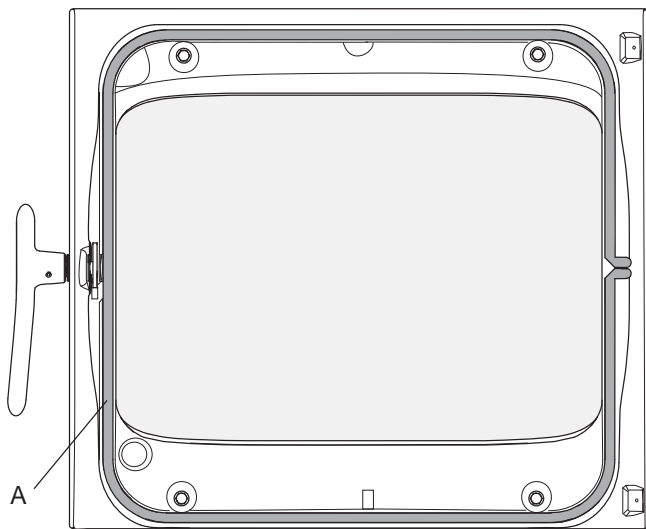


1. Empuje la placa deflectora (A) hacia delante y hacia abajo por el borde posterior y gírela lo suficiente para poder extraerla de la cámara de combustión.
2. El deflector de escape (B) se desmonta quitando los 2 tornillos que lo sujetan.
3. Barra sujetaleños (C): Tire hacia arriba de la barra sujetaleños para sacarla de la cámara de combustión.
4. Rejilla (D) – Quite la barra sujetaleños (C). Extraiga el cajón cenicero y empuje hacia arriba la rejilla (D) desde abajo, de modo que pueda sujetarla por el borde y sacarla de la cámara de combustión.
5. Placas de combustión laterales (F): Quite la barra sujetaleños (C) y el cajón cenicero. Extraiga las placas de combustión laterales.

ESPAÑOL

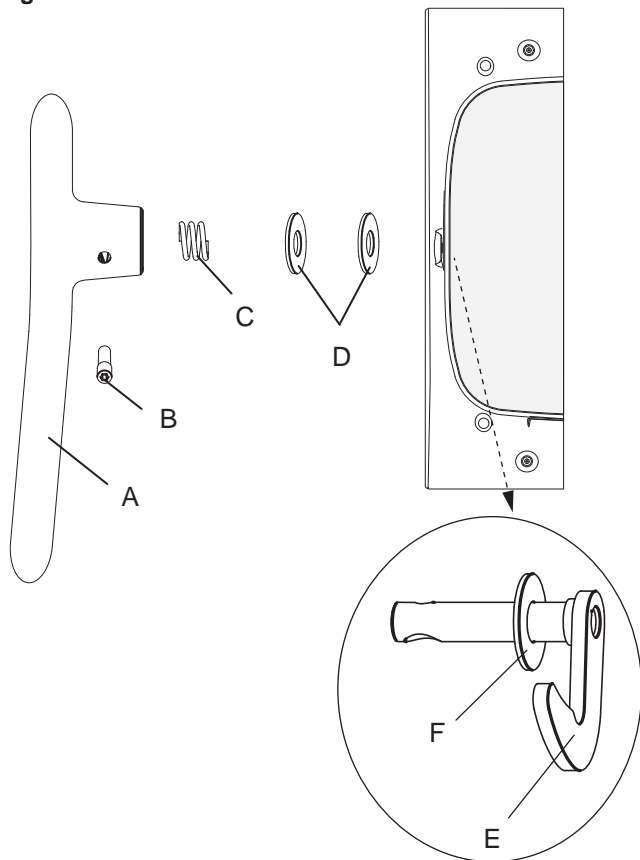
7.3 Cambio del cristal y las juntas de la puerta

Fig. 35



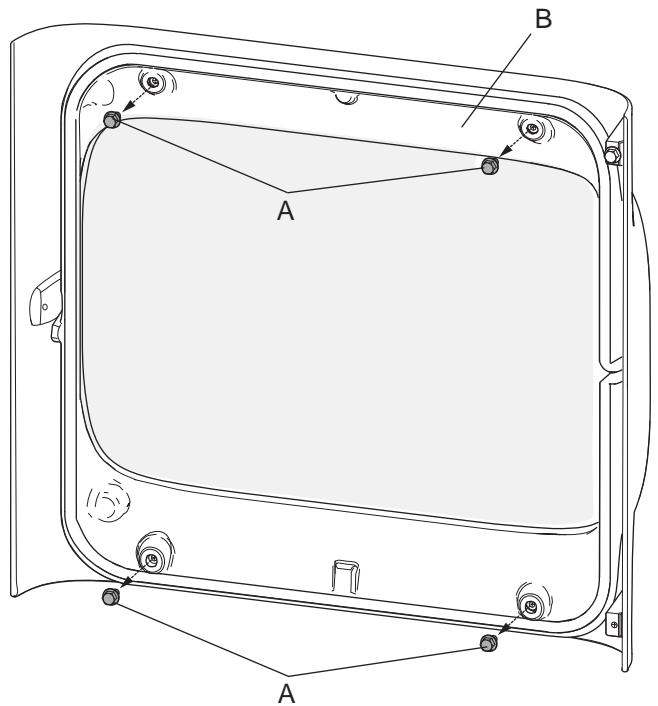
1. Quite la junta (A) del borde interior de la puerta, limpie la ranura y pegue una junta nueva.

Fig. 36



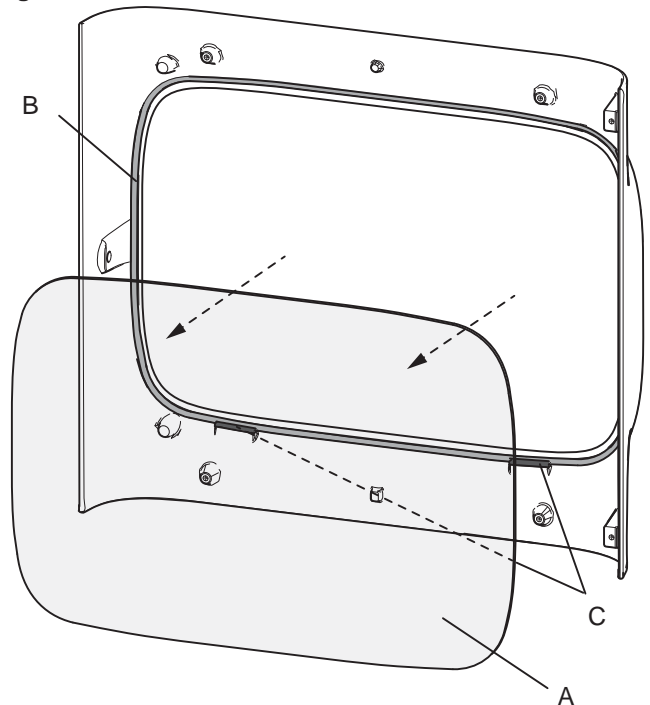
2. Quite el tornillo (B) y saque el tirador (A).
3. Quite el muelle (C) y las dos arandelas (D).
4. Quite el gancho de cierre (E) y la arandela (F).

Fig. 37



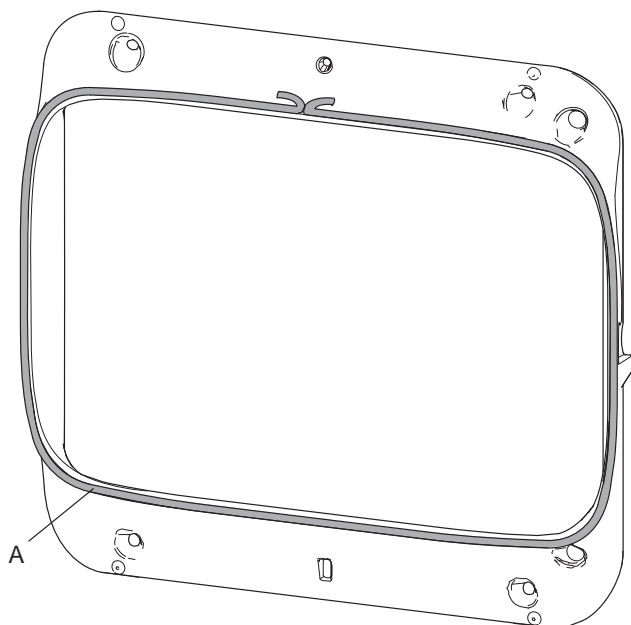
5. Si tiene que cambiar la junta del cristal o el propio cristal, desmonte primero el tirador de la puerta (consulte las fig. 2-4).
6. Quite el soporte del cristal (B) extrayendo los 4 tornillos que lo sujetan (A). **Nota: El cristal de la puerta va suelto. Tenga cuidado de que no se le caiga al quitar el soporte.**

Fig. 38



7. Quite con cuidado el cristal (A). Quite las juntas (B) y (C) y limpie las ranuras.
8. Pegue juntas nuevas.

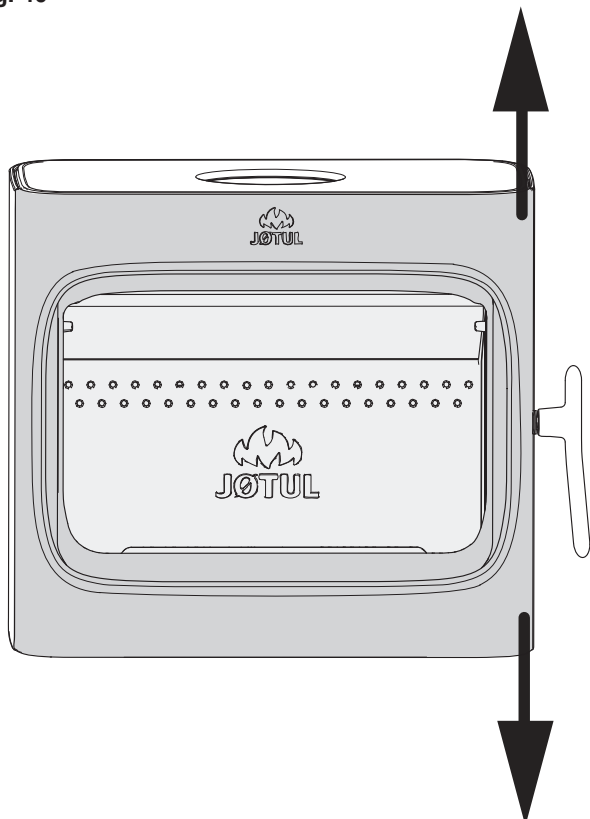
Fig. 39



9. Quite la junta vieja (A) y limpie la ranura. Pegue una junta nueva.
10. Cuando haya cambiado las juntas dañadas, vuelva a montar todas las piezas.

7.4 Ajuste de la puerta

Fig. 40



11. Puede ajustar un poco la puerta hacia arriba o hacia abajo por el lado del pestillo moviéndola un poquito.
Nota: este ajuste no se puede hacer con la puerta totalmente cerrada.

8.0 Accesorios opcionales

8.1 Conexión de aire exterior

Conexión de aire exterior, Ø 80 mm - N.º cat. 51047509
Conexión de aire exterior, Ø 100 mm - N.º cat. 51012164

8.2 Placa superior de esteatita

Nº de catálogo 51048022, BP
Nº de catálogo 51049314, WHE

8.3 Bandeja recogeceniza para patas

Nº de catálogo 51047339, BP
Nº de catálogo 51047341, WHE

8.4 Rejilla de protección apta para deshollinador

Nº de catálogo 151608 (Ø 150 mm).

8.5 Patas cortas

Art. nr. 51047318, BP
Art. nr. 51047340, WHE

9.0 Reciclaje

9.1 Reciclaje del embalaje

- Su estufa se entrega con el siguiente embalaje:
- Un palé de madera que puede cortarse y quemarse en la estufa.
- Embalaje de cartón que debe llevarse a un punto de reciclaje local.
- Bolsas de plástico que deben llevarse a un punto de reciclaje local.

9.2 Reciclaje de la estufa

La estufa se compone de:

- Metal que debe llevarse a un punto de reciclaje local.
- Cristal que debe desecharse como un residuo peligroso. El cristal de la estufa no debe depositarse en un contenedor de separación convencional.
- Placas de combustión de vermiculita que pueden desecharse en contenedores de desechos convencionales.

10.0 Garantía

Jøtul AS ofrece a sus clientes una garantía de diez años, con derecho a devolver los elementos externos de hierro fundido si presentan defectos como resultado de materiales y/o mano de obra defectuosa después de la compra/instalación original de la estufa. El comprador tendrá derecho a devolver el producto, siempre que la estufa haya sido instalada de conformidad con las normativas y leyes vigentes, y de acuerdo con las instrucciones de instalación y funcionamiento de Jøtul.

La garantía no cubre:

La instalación de accesorios opcionales, por ejemplo la rectificación del estado del tiro o el suministro de aire ni otras circunstancias fuera del control de Jøtul. La garantía no cubre los consumibles, como las placas de combustión, deflectores de humos, rejillas, ladrillos refractarios, amortiguadores ni juntas, puesto que se deterioran con el tiempo debido al uso normal. La garantía no cubre los daños provocados como resultado del uso de combustible inapropiado para encender el fuego, como restos de madera, madera pintada o impregnada, recortes de tablas, aglomerado, etc. Si se usa un combustible inapropiado puede producirse un sobrecalentamiento: la estufa se pone al rojo, lo que produce el descoloramiento de la pintura y el agrietamiento de las piezas de hierro fundido.

La garantía no será válida para los daños ocasionados mientras el producto está en tránsito entre el distribuidor y el lugar de entrega. La garantía tampoco será válida para los daños ocasionados por la utilización de piezas no originales.

Indice generale

1.0	Dati tecnici.....	63
1.0	Conformità alle normative	63
3.0	Sicurezza	64
4.0	Installazione	68
5.0	Utilizzo giornaliero.....	77
6.0	Manutenzione.....	78
7.0	Assistenza.....	79
8.0	Accessori opzionali	81
9.0	Riciclaggio.....	82
10.0	Garanzia.....	82

1.0 Conformità alle normative

- L'installazione di un caminetto deve essere eseguita in conformità alle leggi e alle normative locali di ogni paese. L'installazione del prodotto deve essere conforme a tutte le norme locali, incluse quelle che fanno riferimento agli standard nazionali ed europei.
- L'installazione può essere effettuata solo dopo un'accurata ispezione da parte di un ispettore qualificato.
- Contattare le autorità edili locali prima di installare un nuovo caminetto.

2.0 Dati tecnici

Materiale:	Ghisa
Finitura:	Vernice nera / smalto
Scarico fumi:	Superiore, posteriore
Dimensioni condotto:	Ø 150 mm
Condotto per l'aria esterna:	Alu. flex - Ø 80 / 100 mm

Peso del prodotto:

Camera con montanti:	143 kg
Camera con base :	169 kg
Coperchio in pietra ollare :	36 kg
Accessori opzionali	Ceneraio, coperchio in pietra ollare, condotto per l'aria esterna, Griglia di protezione per sfera di pulizia per canna fumaria, montanti corti.

Dimensioni prodotto, distanze: Vedere la **fig. 1**

Dati tecnici conformi alla norma EN 13240

Potenza termica nominale:	7 kW
Volume dei fumi:	7,1 g/s
Tiraggio della canna fumaria, EN 13240:	12 Pa
Pressione negativa raccomandata nello scarico fumi:	14-16 Pa
Efficienza:	79% a 7,5 kW
Emissioni di CO (13% O ₂):	0.06%
Emissioni di CO (13% O ₂):	786 mg/Nm ³
NOx a 13% O ₂ :	85 mg/Nm ³
Idrocarburi a 13 % O ₂ :	64 mg/Nm ³
Emissioni di particelle NS 3059:	1,5 g / kg
Temperatura della canna fumaria, EN 13240:	261 °C
Temperatura nello scarico fumi:	313 °C
Polvere:	<7 mg/Nm ³ a 13%O ₂
Consumo dell'aria:	6,1 litro/sec o 22 m ³ /h

Tipo di combustibile:	Legna
Lunghezza massima ceppi:	41 cm
Consumo di combustibile:	2,25 kg/h
Quantità max di fascine:	2,4 kg
Quantità nominale di fascine:	1,8 kg
Funzionamento:	Intermittente

Per "combustione intermittente" si intende il normale utilizzo di un caminetto, ovvero l'aggiunta di combustibile non appena si sono formate le braci.

Product: Jøtul Room heater fired by solid fuel			CE		
Standard Minimum distance to adjacent combustible materials:					
Minimum distance to adjacent non-combustible materials:					
Emission of CO in combustion products:					
Flue gas temperature:					
Nominal heat output:					
Efficiency:					
Operation range:					
Fuel type:					
Operational type:					
The appliance can be used in a shared flue:					
Country	Classification	Certificate standard	Approved by		
Norway	klasse II				
Sweden	otc	SP	SP Sveriges Provnings- och Forskningsinstitut AB		
EUR	Intermittent	EN	SP Swedish National Testing and Research Institute		
Follow user's instructions. Use only recommended fuels. Montage- und Bedienungsanleitung beachten. Verwenden Sie nur empfohlenen Brennstoffen. Respectez les consignes d'utilisation. Utilisez uniquement les combustibles recommandés.					
Serial no. Y-xxxx, Year: 200x					
Manufacturer: Jøtul AS POB 1441 N-1602 Fredrikstad Norway					

Su tutti i nostri prodotti è applicata un'etichetta che indica il numero di serie e l'anno. Annotare questo numero dove indicato nelle istruzioni di installazione.

Citare sempre questo numero di serie quando ci si rivolge al rivenditore o a Jøtul.

Serial no.

3.0 Sicurezza

Nota: per garantire prestazioni e sicurezza ottimali, le stufe Jøtul devono essere montate da un installatore qualificato (vedere www.jotul.com per un elenco completo di rivenditori).

Qualunque modifica al prodotto da parte del distributore, installatore o consumatore può comportare un funzionamento imprevisto del prodotto e delle funzionalità di sicurezza. Lo stesso si applica all'installazione di accessori o di extra opzionali non forniti da Jøtul. Ciò può riguardare anche componenti essenziali per il funzionamento e la sicurezza del caminetto eventualmente smontati o rimossi.

In tutti i casi citati, il produttore non potrà essere ritenuto responsabile o punibile per il prodotto, rendendo nullo e non valido ogni reclamo.

3.1 Misure di prevenzione antincendio

Ogni utilizzo del caminetto ha in sé un certo elemento di pericolo. Pertanto, è necessario seguire attentamente le seguenti istruzioni:

- Le distanze minime di sicurezza in caso di utilizzo del caminetto sono fornite nella **fig. 1**.
- Assicurarsi che gli arredi e altri materiali infiammabili non siano troppo vicini al caminetto. I materiali infiammabili non devono mai essere posizionati entro 1100 mm dal caminetto.
- Attendere l'estinzione del fuoco. Non spegnere mai le fiamme con acqua.
- Il caminetto acceso diventa caldo e può causare bruciate se toccato.
- Rimuovere la cenere solo con il caminetto freddo. La cenere può contenere braci calde, pertanto deve essere collocata in un contenitore ignifugo.
- La cenere deve essere collocata all'esterno o svuotata in un luogo in cui non rappresenterà un pericolo potenziale di incendio.

In caso di incendio della canna fumaria

- Chiudere tutte le aperture e le prese d'aria.
- Tenere chiusa la porta del camino.
- Verificare la presenza di fumo in cantina e in soffitta.
- Chiamare i vigili del fuoco.
- Prima di utilizzare di nuovo il camino e la canna fumaria dopo un incendio, è necessario che vengono controllati da un tecnico specializzato che ne assicuri l'integrità e il corretto funzionamento.

3.2 Pavimento

Basamento

È importante accertarsi che il basamento sia adatto a un caminetto. Consultare il capitolo "**2.0 Dati tecnici**" per le specifiche sul peso.

Si raccomanda la rimozione dall'area di installazione di ogni eventuale rivestimento non fissato al pavimento ("rivestimenti mobili").

Montanti corti (Accessori opzionali)

Jøtul F 305 con montanti corti può essere installato solo su pavimenti in cui sia la superficie, sia la struttura in sé siano realizzate in materiale non combustibile. L'area non combustibile deve avere un'estensione minima di 500 mm dalla stufa.

Nota: In questa zona non utilizzare riscaldamento a pavimento o elettrico.

Requisiti per la protezione del pavimento in legno sotto il caminetto

Il prodotto con base presenta una protezione integrata del pavimento, pertanto può essere posizionato direttamente su un pavimento in legno.

Il prodotto con le gambe deve avere una pedana in acciaio: se le norme locali lo richiedono.

Nota! Lo spazio sotto la Jøtul F 305 con le gambe non deve essere utilizzato per mettere la legna.

Rimuovere da sotto il prodotto ogni eventuale rivestimento infiammabile per la pavimentazione, come linoleum, moquette, ecc.

Requisiti per la protezione dei pavimenti infiammabili davanti al caminetto

La piastra anteriore deve risultare conforme alle leggi e alle normative nazionali.

Contattare le autorità edili locali in relazione alle disposizioni e ai requisiti di installazione.

3.3 Pareti

Distanza da pareti composte da materiali combustibili : vedere la **fig. 1b**.

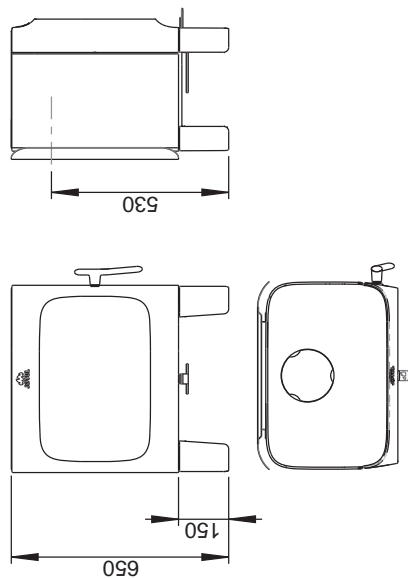
Distanza minima dalla parete combustibile protetta da un muro tagliafuoco: vedere la **fig. 1c**.

Distanze alternative con condotti di scarico fumi rivestiti o isolati sono visualizzate anche nella **fig. 1b**.

Il caminetto può essere utilizzato con un condotto non isolato, sempre che le distanze tra il caminetto e le pareti in materiali combustibili rispettino i valori indicati nella **fig. 1b**.

Fig. 1a

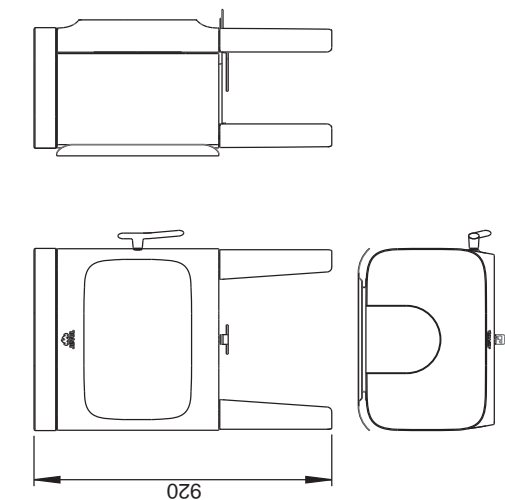
Jøtul F 305 con montanti brevi



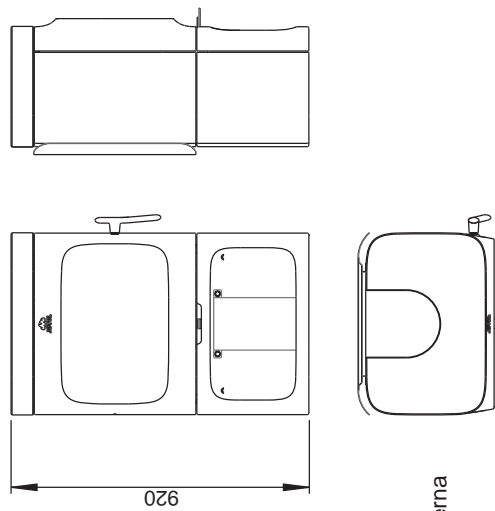
Jøtul F 305 con montanti corti può essere installato solo su pavimenti in cui sia la superficie, sia la struttura in sé siano realizzate in materiale non combustibile. L'area non combustibile deve avere un'estensione minima di 500 mm dalla stufa.

Nota: In questa zona non utilizzare riscaldamento a pavimento o elettrico.

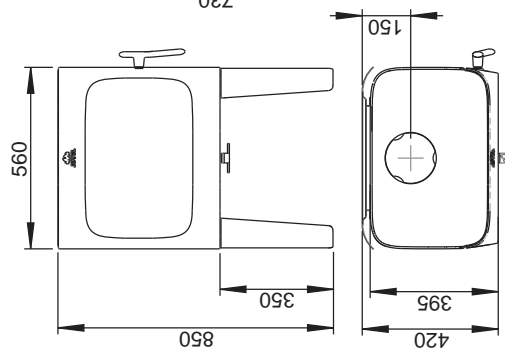
Jøtul F 305 con montanti lunghi e coperchio in pietra ollare



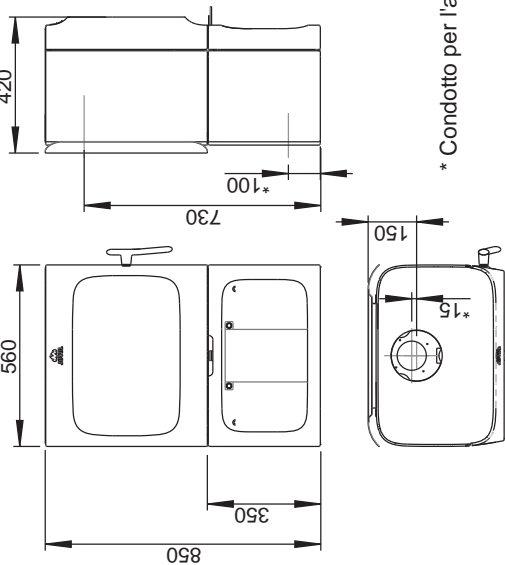
Jøtul F 305 con base e coperchio in pietra ollare



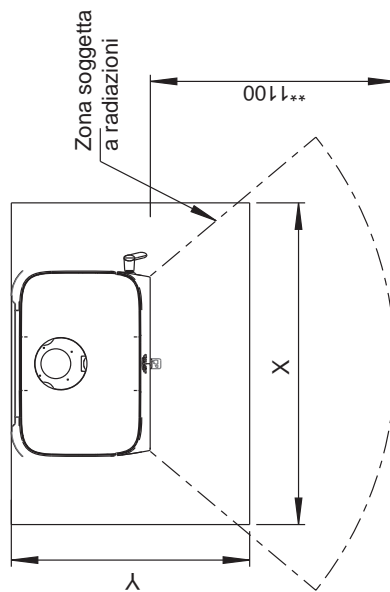
Jøtul F 305 con montanti lunghi



Jøtul F 305 con base



Piastra di protezione

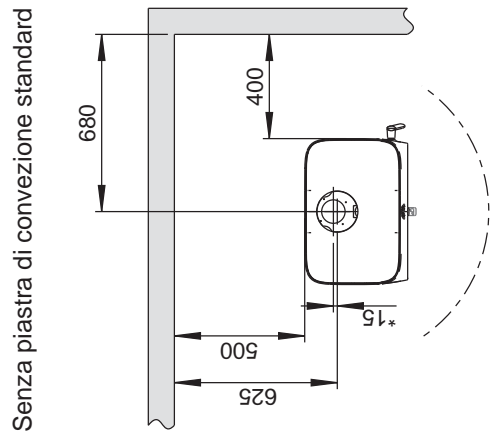
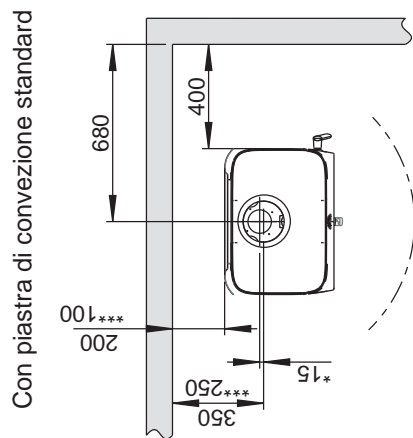


Dimensioni minime per la piastra di protezione del pavimento
 X/Y = In conformità alle leggi e alle normative nazionali.
 ** Distanza dalla parete combustibile

Distanza minima dalla parete combustibile

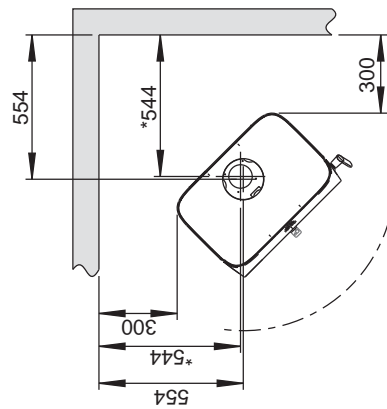
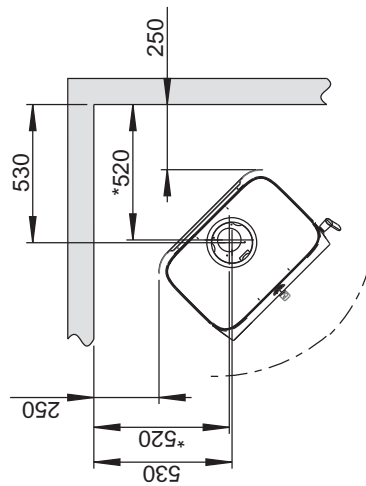
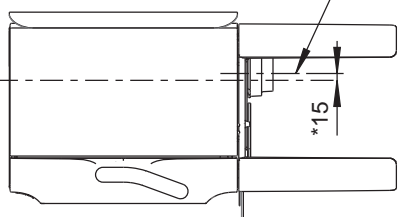
Fig. 1b

Parete combustibile



Centro del condotto scarico fumi

Centro del condotto per l'aria esterna

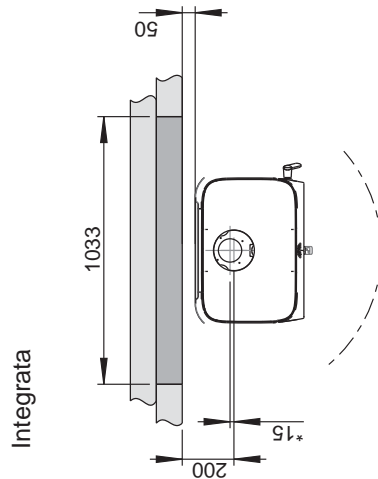
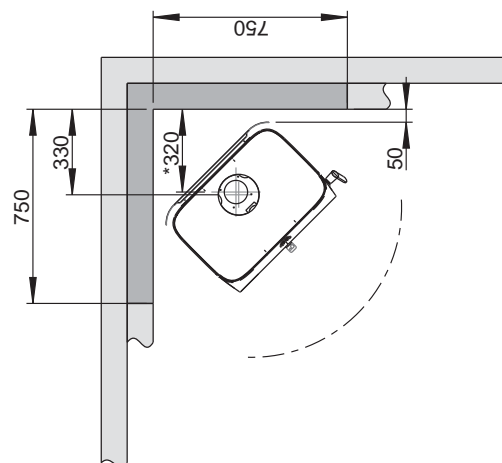
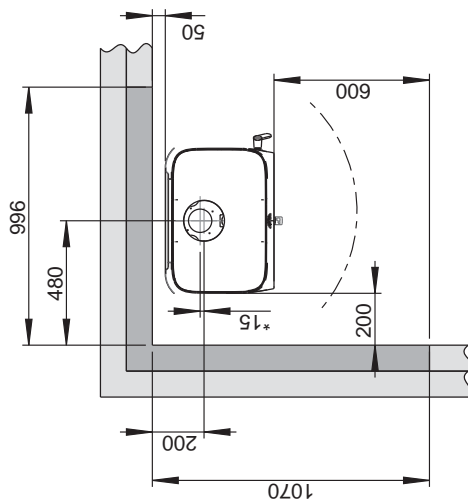
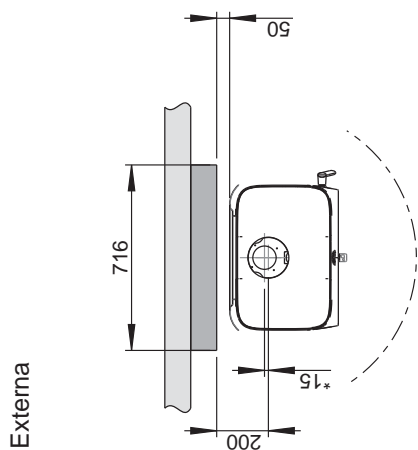
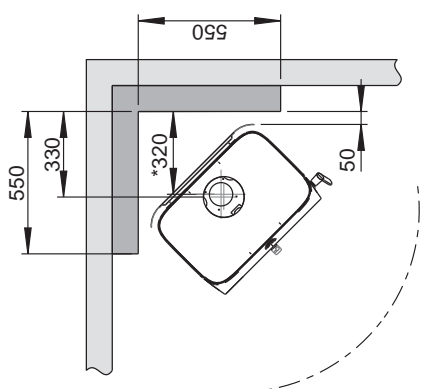
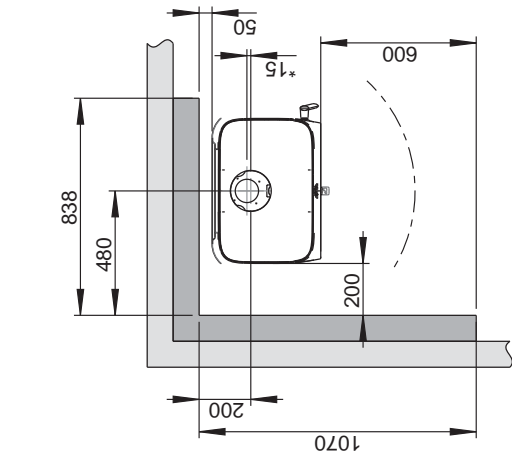


* Condotto per l'aria esterna

*** Distanza da una parete in materiale infiammabile con condotto scarico fumi parzialmente isolato/rivestito

Fig. 1c Distanza minima dalla parete combustibile protetta da un muro tagliafuoco

Parete combustibile
 Muro tagliafuoco



* Condotto per l'aria esterna

900171-P00

Circolazione dell'aria

Il quantitativo di aria di combustione per i prodotti Jøtul è di circa 20-40 m³/h.

Il condotto per l'aria esterna può essere inserito direttamente in Jøtul F 305 attraverso:

- il fondo
- attraverso un tubo flessibile di circolazione dell'aria dall'esterno/dalla canna fumaria (solo se la canna fumaria presenta un proprio condotto per l'aria esterna) diretto al connettore dell'aria esterna del prodotto.

Fig. 2A, attraverso una parete esterna

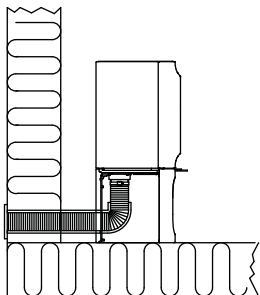


Fig. 2B, attraverso il pavimento e la piastra di terra

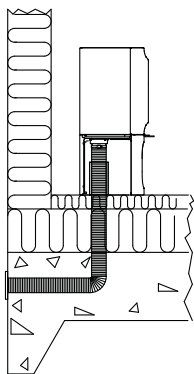


Fig. 2C, attraverso il pavimento e il basamento

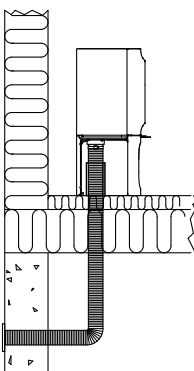
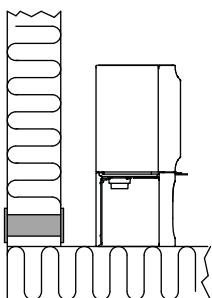


Fig. 2D, indirettamente attraverso una parete esterna



4.0 Installazione

Nota: prima di iniziare l'installazione, assicurarsi che il caminetto non sia danneggiato.

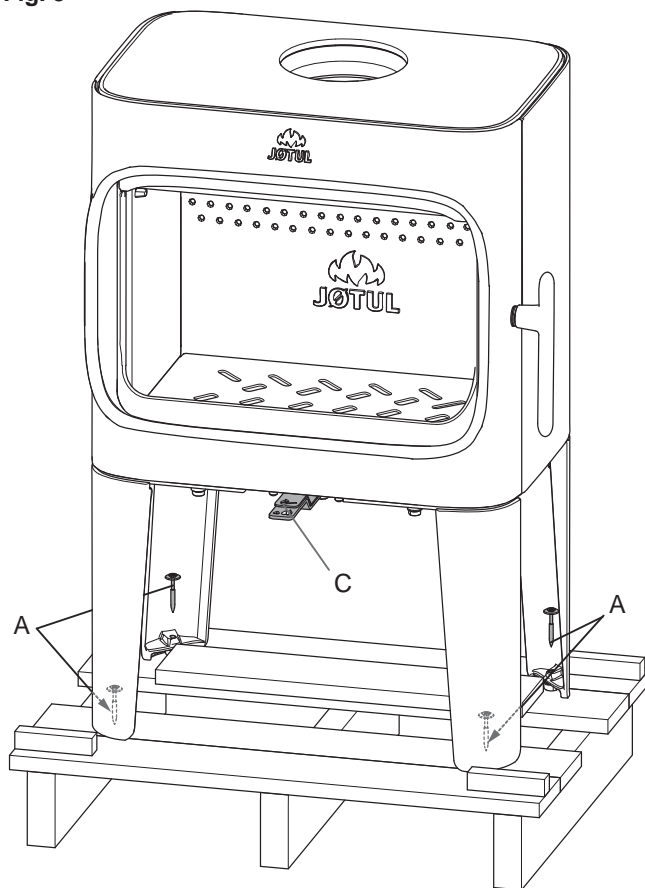
Nota: il prodotto è pesante! Assicurarsi di disporre dell'aiuto necessario in fase di posizionamento e installazione. La camera di combustione è pesante. Fare attenzione a non rovesciare il prodotto.

Nota: Non collocare niente sulla piastra superiore della stufa, dal momento che potrebbe causare danni permanenti alla vernice o allo smalto.

Nota: leggere attentamente le Istruzioni di installazione e funzionamento prima di installare il caminetto!

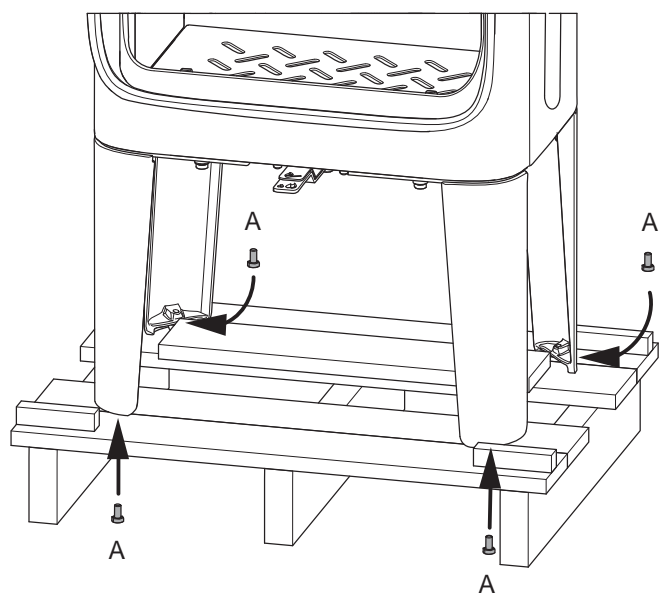
4.1 Prima dell'installazione - Jøtul F 305 con montanti

Fig. 3



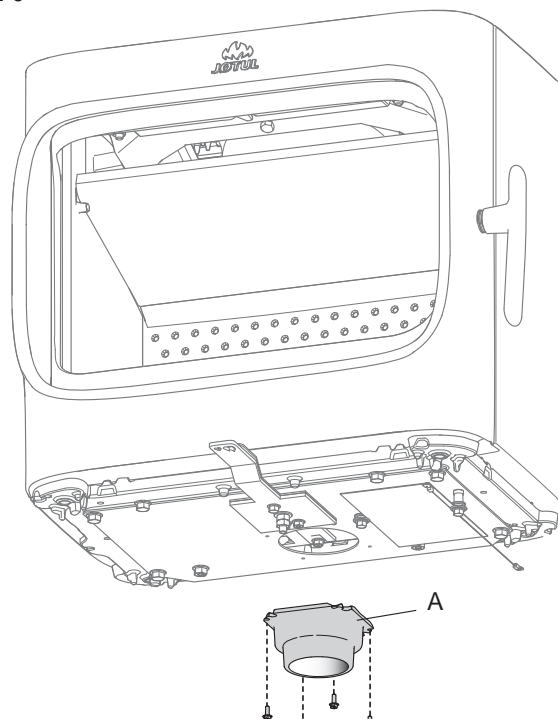
1. Rimuovere le quattro viti di trasporto (**A**) che fissano la stufa al pallet in legno.
2. Lasciare la stufa sul pallet di trasporto.
3. Rimuovere i guanti dal ceneraio.
4. Togliere il parafiamma, il fermo della cenere, la piastra di fondo e il sacchetto di viti dalla camera di combustione.
5. Controllare che le manopole di regolazione (**C**) si muovano liberamente.

Fig. 4



6. Installare le viti di regolazione dell'altezza con i tappi in plastica (A) presenti nel sacchetto delle viti.
7. Sollevare la stufa dal pallet.
8. Montare la stufa e regolare all'altezza corretta utilizzando le viti di regolazione dell'altezza. **Nota:** tenere presente l'altezza della piastra di protezione per il pavimento
9. Fare un segno sulla parete se è necessario uno scarico posteriore per il condotto di scarico fumi e l'alimentazione dell'aria esterna.

Fig. 6

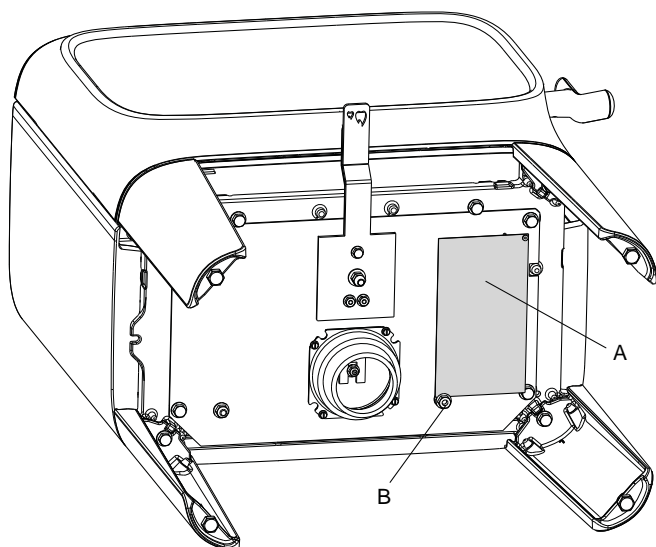


2. Se non viene utilizzata l'alimentazione dell'aria esterna, il connettore dell'aria esterna (A) può essere svitato, se lo si desidera. Rimuovere le quattro viti utilizzate per fissare il connettore dell'aria esterna e poi il connettore stesso.

Etichetta di conformità

Jøtul F 305 con montanti lunghi

Fig. 5

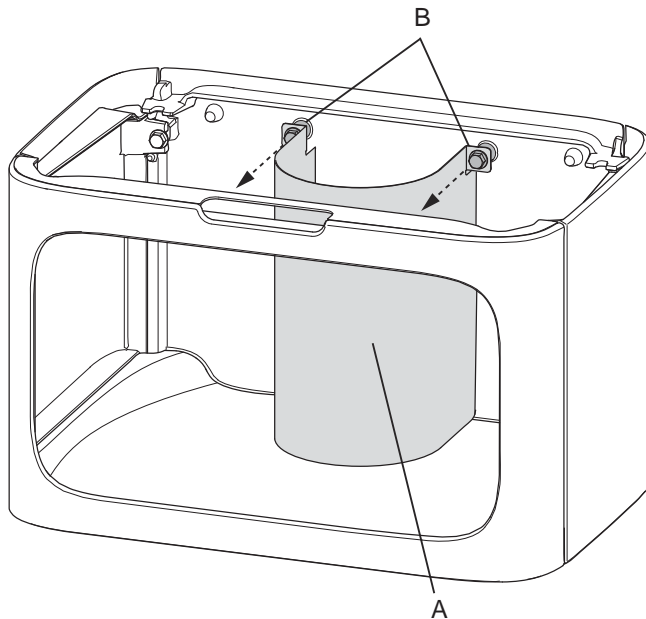


1. Estrarre l'etichetta di conformità (A) dal ceneraio e applicarla con il dado (B), come illustrato. Il dado deve essere serrato solo con le dita. **Nota: non tagliare il filo utilizzato per applicare l'etichetta.**

ITALIANO

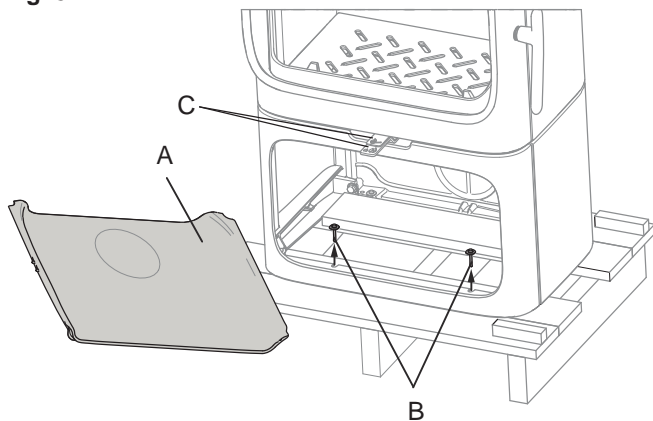
4.2 Prima dell'installazione - Jøtul F 305 con base

Fig. 7



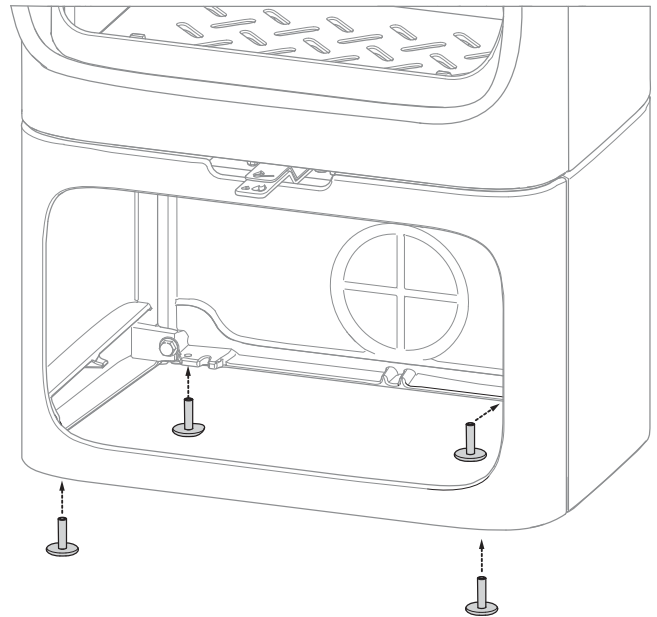
1. Rimuovere prima la protezione dell'aria esterna (A) svitando le viti (B).

Fig. 8



2. Rimuovere i guanti dal ceneraio.
3. Togliere il parafiamma, il fermo della cenere e il sacchetto di viti dalla camera di combustione.
4. Controllare che le manopole di regolazione (C) si muovano liberamente.
5. Rimuovere la piastra inferiore (A) afferrandola dall'angolo anteriore sinistro. Sollevare la piastra e rimuoverla dalla base in diagonale.
6. Rimuovere le quattro viti di trasporto (B) che fissano la stufa al pallet in legno.
7. Sollevare la stufa dal pallet e montarla (vedere fig. 1).

Fig. 9

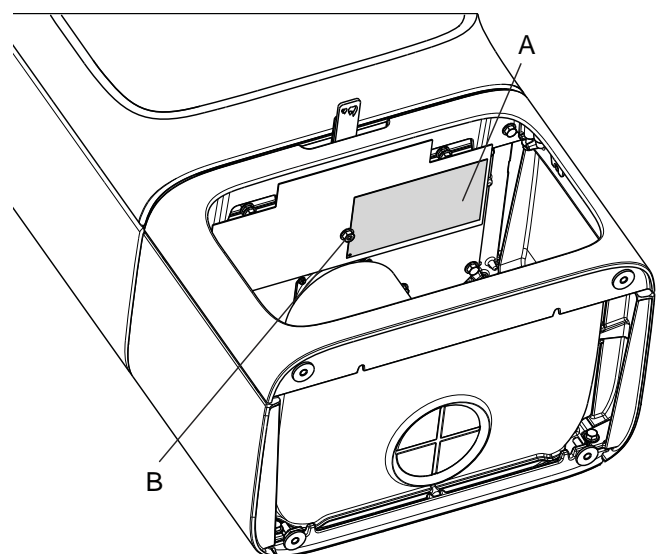


8. Regolare la base con le viti di regolazione dell'altezza, utilizzando la chiave esagonale presente nel sacchetto delle viti. **Nota! Tenere in considerazione l'altezza della piastra di protezione per il pavimento.**
9. Fare un segno sulla parete se è necessario uno scarico posteriore per il condotto di scarico fumi e l'alimentazione dell'aria esterna (vedere fig. 1).
10. Se è necessario uno scarico posteriore per il condotto di scarico fumi e/o l'alimentazione dell'aria esterna, spostare la stufa dalla parete e preparare i collegamenti.

Etichetta di conformità

Jøtul F 305 con base

Fig. 10

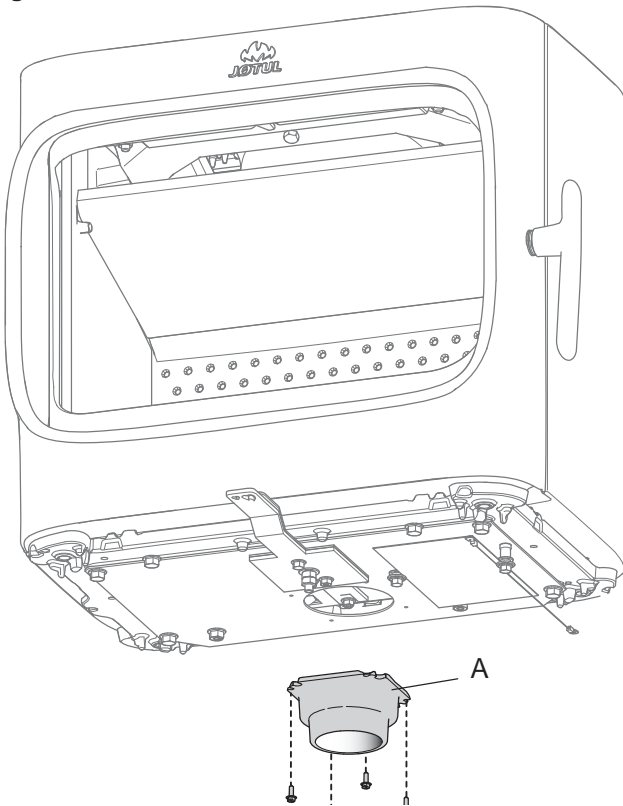


1. Estrarre l'etichetta di conformità (A) dal ceneraio e applicarla con il dado (B), come illustrato. Il dado deve essere serrato solo con le dita. **Nota: non tagliare il filo utilizzato per applicare l'etichetta.**

4.2 Installazione

Se l'alimentazione dell'aria esterna non è in uso

Fig. 11

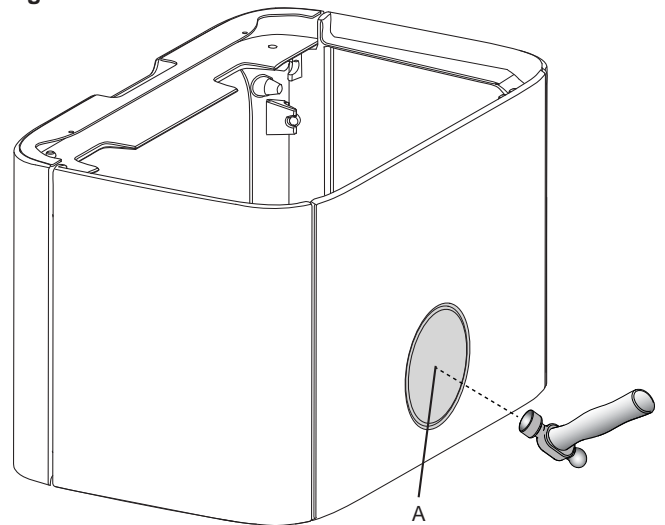


2. Se non viene utilizzata l'alimentazione dell'aria esterna, il connettore dell'aria esterna (A) può essere svitato, se lo si desidera. Rimuovere le quattro viti utilizzate per fissare il connettore dell'aria esterna e poi il connettore stesso. (Per i prodotti con base: se necessario, è possibile svitare lo scudo termico sotto alla camera di combustione per facilitare lo smontaggio del connettore dell'aria esterna.
3. Montare nuovamente la piastra di convezione in posizione dopo aver rimosso il connettore dell'aria esterna.

Collegamento dell'aria esterna attraverso la base

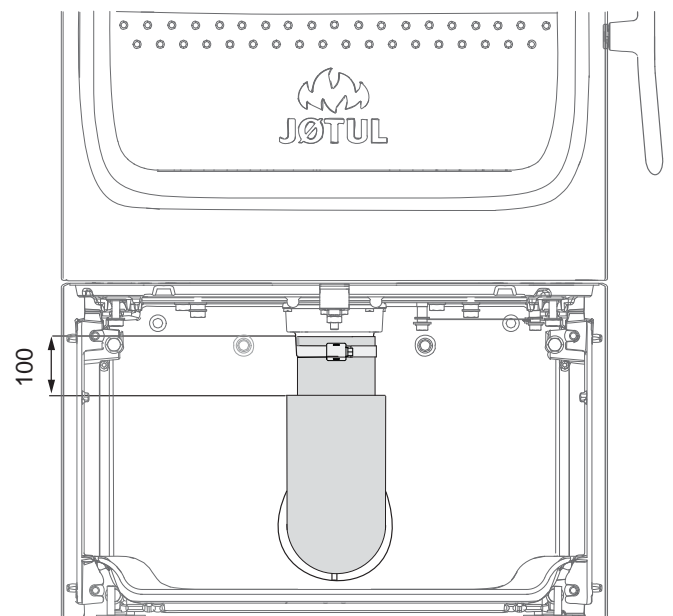
Attraverso lo scarico posteriore nella base

Fig. 12



1. Posizionare una scatola di cartone all'interno della piastra posteriore per evitare che i pezzi della copertura danneggino la base. Buttare giù la copertura con un martello.

Fig. 13

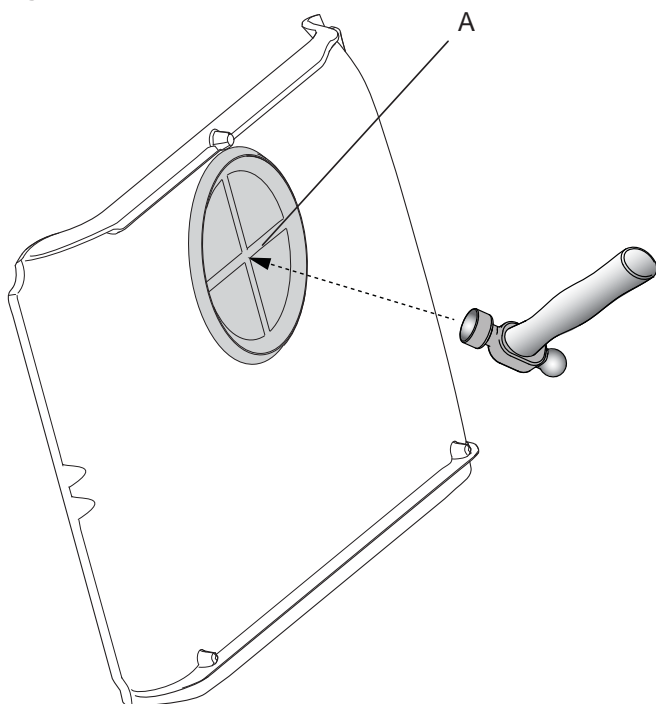


2. Vedere le istruzioni di installazione seguenti con il kit dell'aria esterna.
3. Fissare il tubo flessibile al connettore dell'aria esterna con una fascetta stringitubo. L'isolamento del tubo flessibile dell'aria esterna termina circa 100 mm sotto la camera di combustione.

ITALIANO

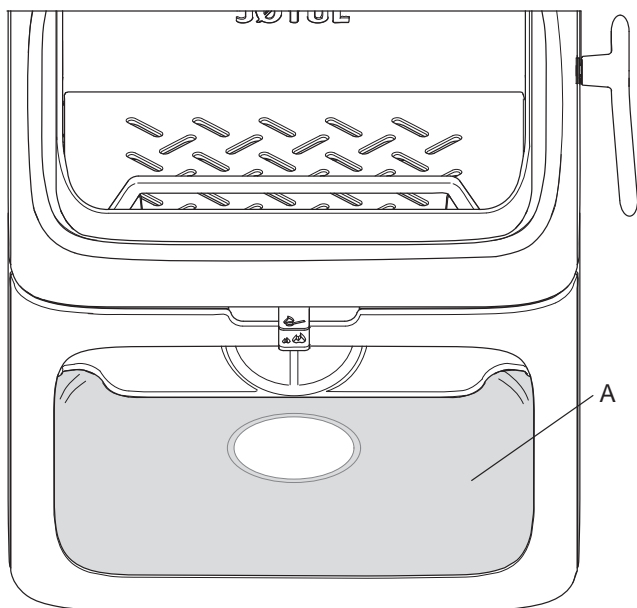
Collegamento dell'aria esterna attraverso la piastra inferiore nella base

Fig. 14



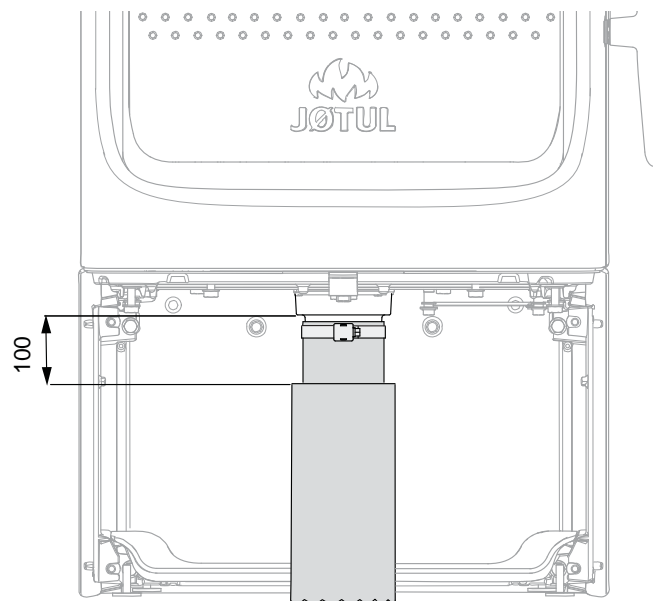
1. Posizionare una scatola di cartone sul retro della piastra inferiore prima di buttare giù la copertura (A) con un martello, per evitare che i pezzi danneggino le parti circostanti.

Fig. 15



2. Riposizionare la piastra inferiore.
3. Posizionare la stufa nel punto designato. **Vedere la fig. 1** per il posizionamento corretto in termini di distanze di sicurezza.

Fig. 16



4. Vedere le istruzioni di installazione seguenti con il kit dell'aria esterna.
5. Fissare il tubo flessibile al connettore dell'aria esterna con una fascetta stringitubo. L'isolamento del tubo flessibile dell'aria esterna termina **circa 100 mm** sotto la camera di combustione.

4.3 Canna fumaria e condotto

- Il caminetto deve essere collegato solo a una canna fumaria e a un condotto approvati per caminetti a combustibile solido; le temperature dei gas prodotti dal fumo sono indicate nel capitolo “**2.0 Dati tecnici**”.
- Il collegamento della canna fumaria deve essere realizzato in conformità alle istruzioni di installazione fornite dal produttore della stessa.
- Prima di praticare un foro nella canna fumaria, montare e posizionare provvisoriamente il prodotto, in modo da individuare la corretta posizione del caminetto e del foro sulla canna fumaria. Vedere la **Fig. 1** per le dimensioni minime.
- Assicurarsi che il condotto si sviluppi verso l'alto, in direzione della canna fumaria.
- Assicurarsi che sia possibile spazzare vicino allo scarico posteriore e allo scarico superiore. Se necessario, utilizzare un condotto di scarico fumi dotato di un portello.
- È estremamente importante che i collegamenti abbiano una certa flessibilità, questo per impedire ogni movimento in fase di installazione tale da causare la formazione di crepe.
- Per il tiraggio raccomandato della canna fumaria, consultare il capitolo “**2.0 Dati tecnici**”. Per le dimensioni del condotto con la sezione trasversale rilevante, consultare il capitolo “**2.0 Dati tecnici**”. **Nota: Il diametro della canna fumaria deve essere almeno delle stesse dimensioni del condotto.**

Nota: la lunghezza minima raccomandata della canna fumaria è 3,5 m dall'inserito del condotto. Se il tiraggio risulta eccessivo, installare una valvola di regolazione del tiraggio.

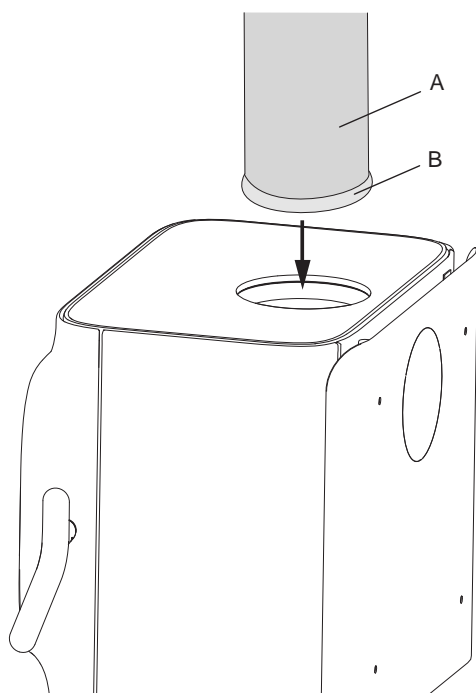
Griglia di protezione per sfera di pulizia

Nota: Qualora sullo scarico superiore sia montata una canna fumaria in acciaio, è sempre necessario installare una griglia di protezione sull'uscita superiore (accessori opzionali).

4.4 Inserimento di un condotto con uno scarico superiore

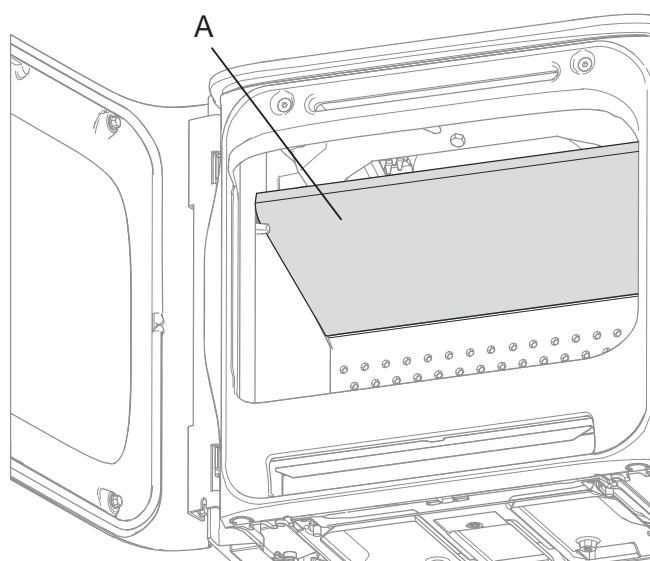
Il prodotto viene consegnato dalla fabbrica con uno scarico fumi adatto allo scarico superiore.

Fig. 17



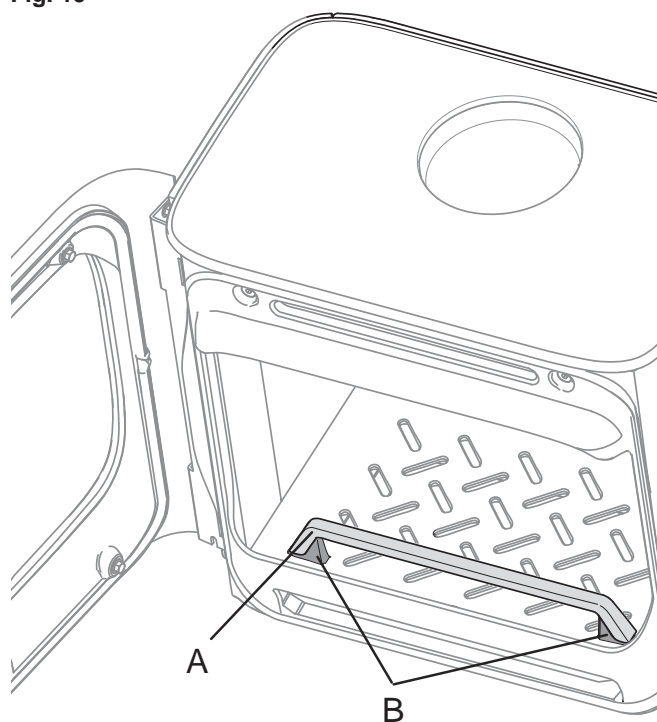
1. Avvitare il condotto di scarico fumi (**A**) attraverso la piastra superiore e posizionarlo nello scarico fumi superiore.
2. Sigillare bene con una guarnizione (**B**).

Fig. 18



3. Posizionare il parafiamma (**A**) come visualizzato nella figura.

Fig. 19



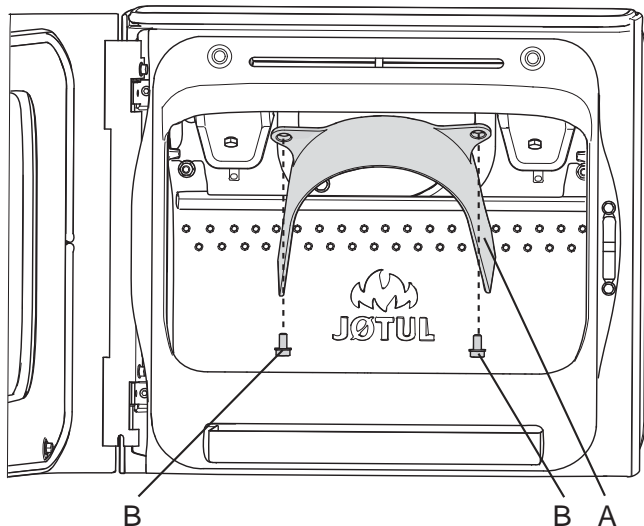
4. Montare il blocco dei ceppi (**A**) sui pomelli (**B**).

ITALIANO

4.5 Inserimento di un condotto con uno scarico posteriore

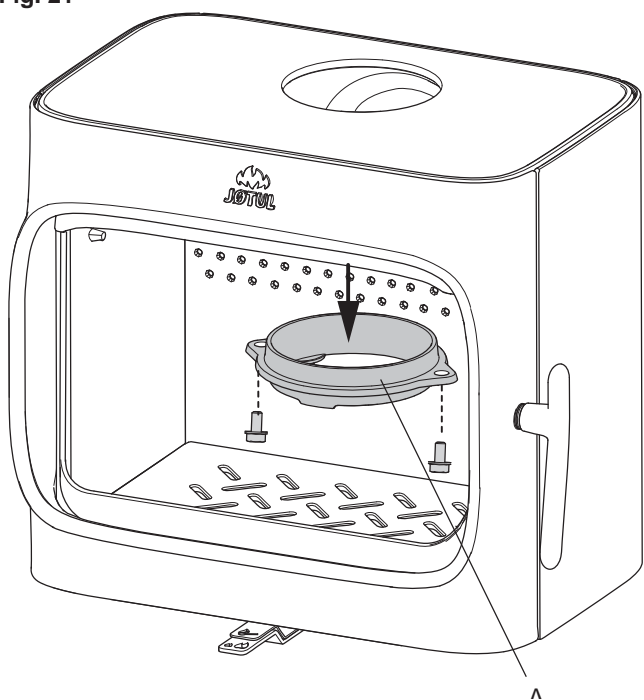
Il prodotto viene consegnato dalla fabbrica con uno scarico fumi adatto allo scarico superiore. Se si desidera posizionare uno scarico posteriore, procedere nel modo seguente:

Fig. 20



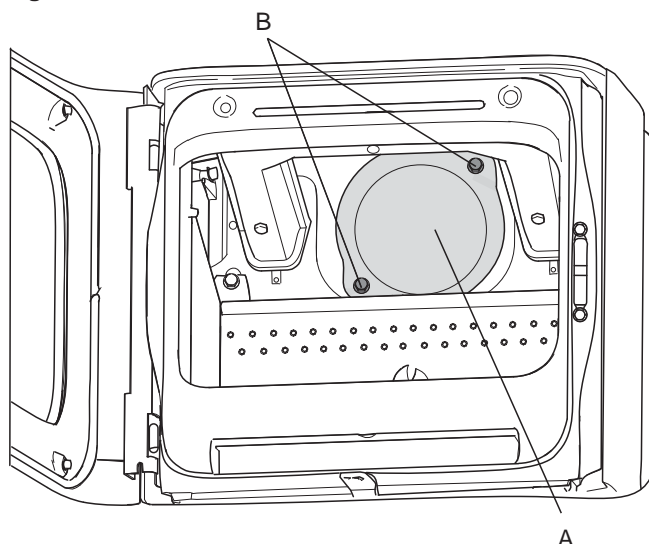
1. Collocare il prodotto nella posizione corretta. **Vedere fig. 1.**
2. Svitare le viti (B) e rimuovere il deflettore di aspirazione (A).

Fig. 21



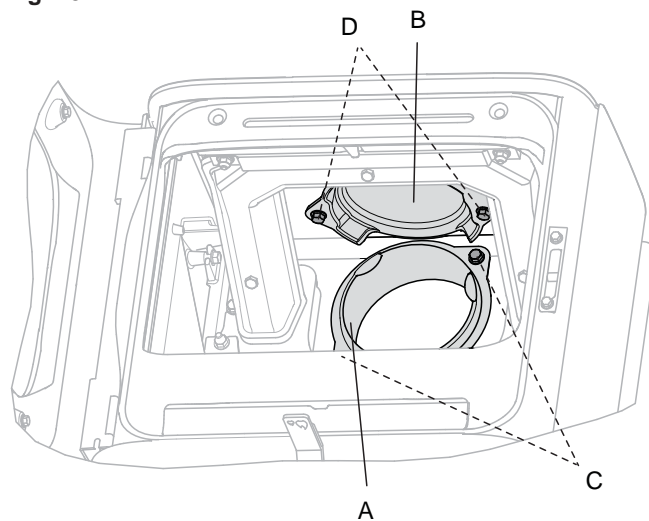
3. Svitare lo scarico fumi (A) dallo scarico superiore.

Fig. 22



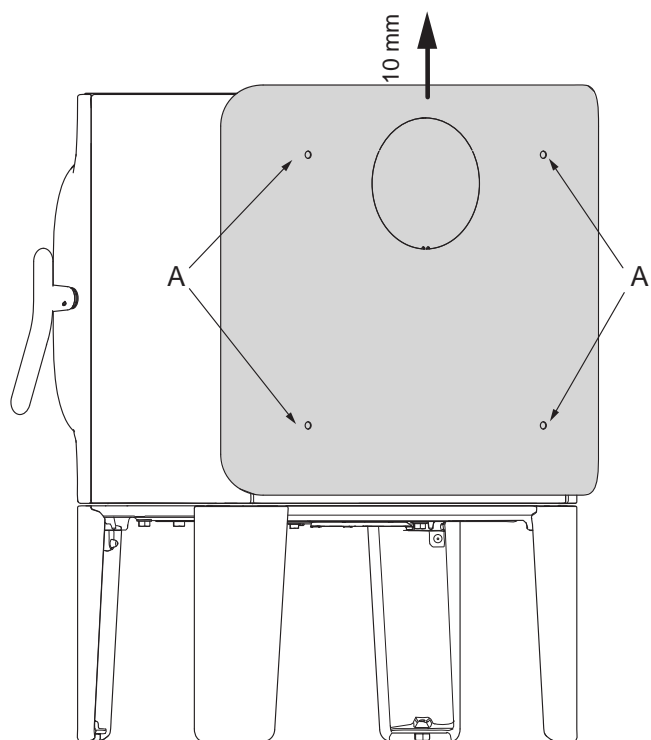
4. Svitare le viti (B) e rimuovere la copertura (A) dallo scarico posteriore dall'interno della camera di combustione.

Fig. 23



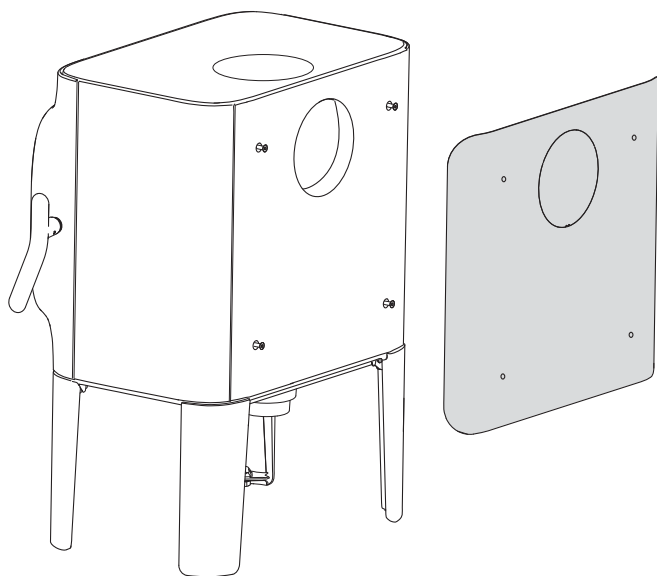
5. Fissare lo scarico fumi (A) allo scarico posteriore con le due viti (C) dall'interno della camera di combustione.
6. Fissare la copertura (B) allo scarico superiore con le due viti (D) dall'interno della camera di combustione.
7. Fissare il deflettore di aspirazione (fig. 20 A).

Fig. 24



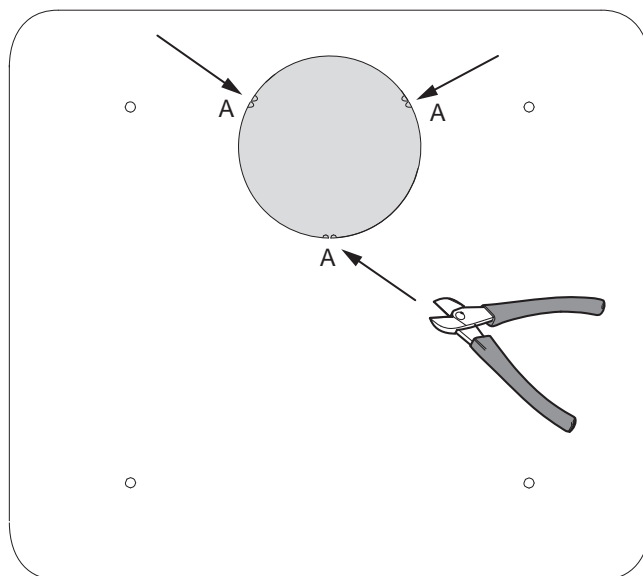
8. Allentare senza svitare le quattro viti (A) completamente e sollevare la piastra di convezione di circa 10 mm.

Fig. 25



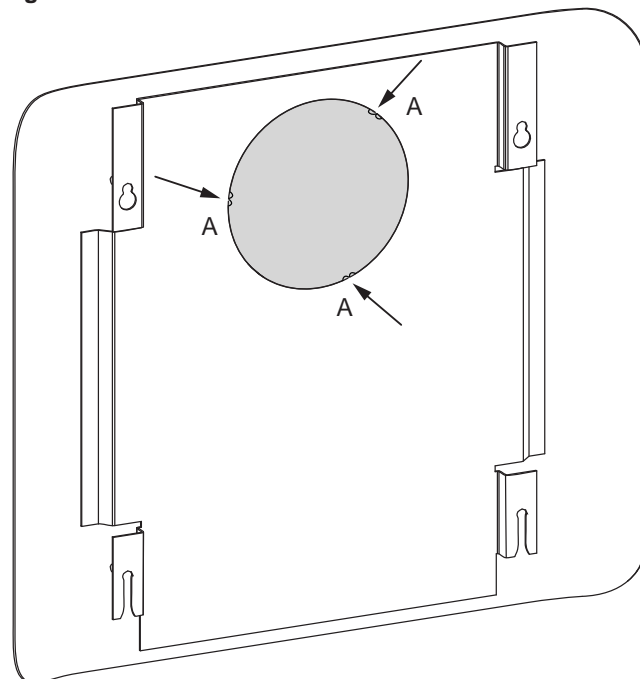
9. Sganciare la piastra di convezione.

Fig. 26



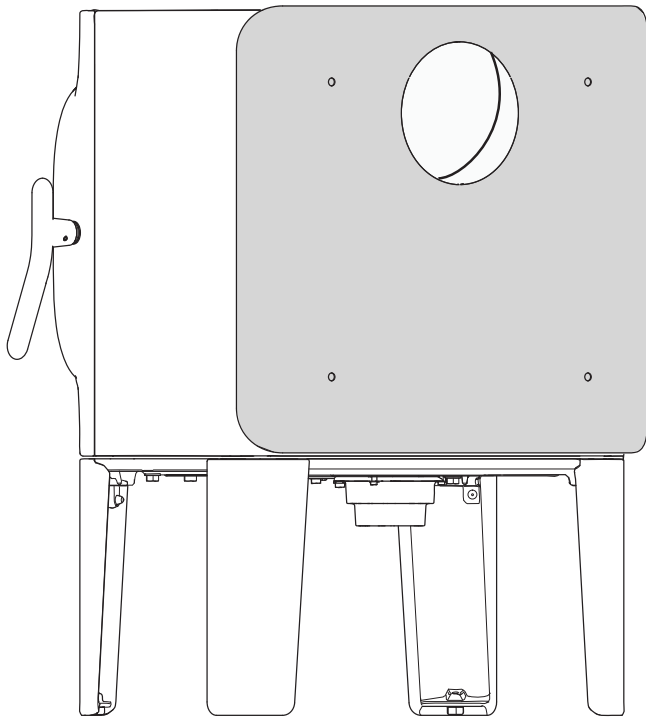
10. Tagliare la piastra posteriore nei punti (A) nello scarico e rimuovere la copertura.

Fig. 27



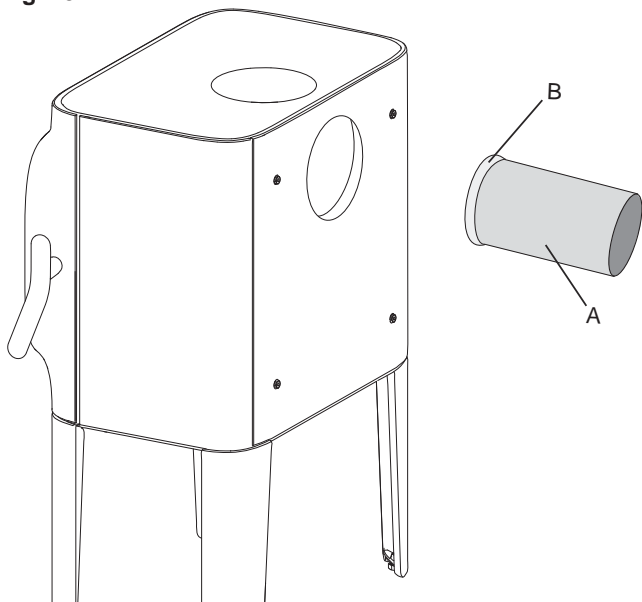
11. Effettuare la stessa operazione nella parte interna della piastra di convezione.

Fig. 28



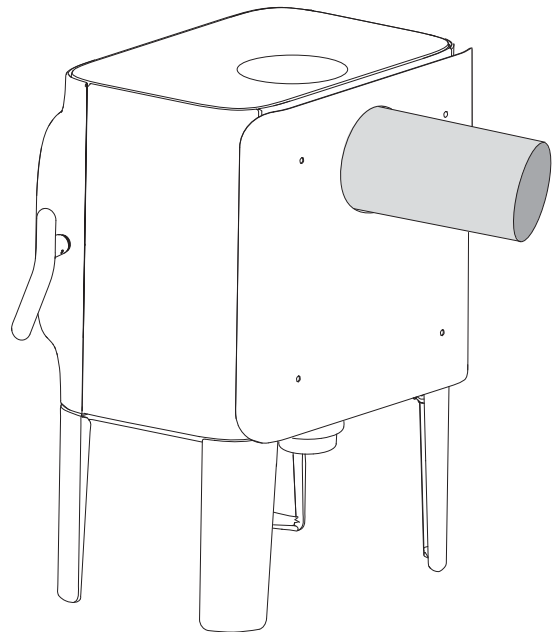
12. Agganciare nuovamente la piastra di convezione al prodotto e fissare utilizzando le stesse quattro viti.

Fig. 29



13. Posizionare la guarnizione (B) sul bordo del condotto di scarico fumi (A).

Fig. 30



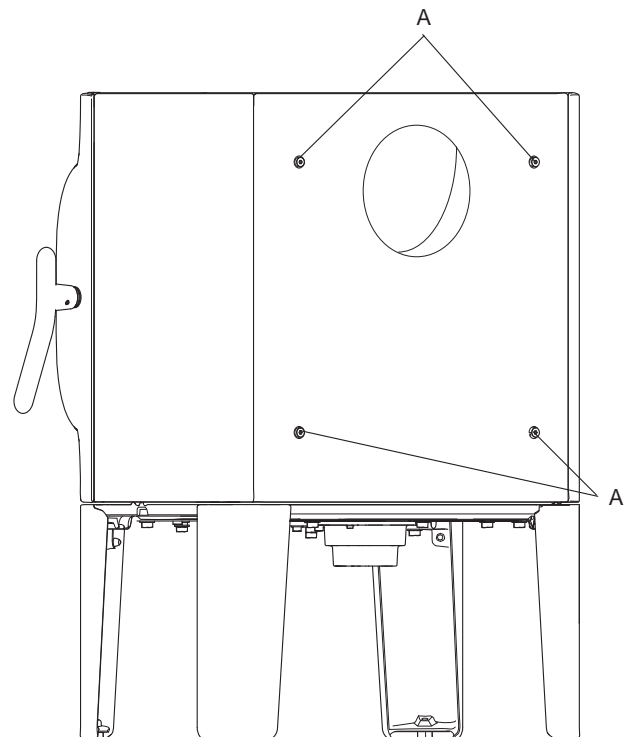
14. Inserire il condotto di scarico fumi nello scarico posteriore.

Nota: è importante che tutti i giunti/condotti siano completamente sigillati. Eventuali fuoriuscite d'aria potrebbero impedirne il corretto funzionamento.

Prodotto senza piastra di convezione

Nota: se non utilizzate una piastra di convezione, il prodotto avrà diverse condizioni di impostazione (vedere fig. 1).

Fig. 31

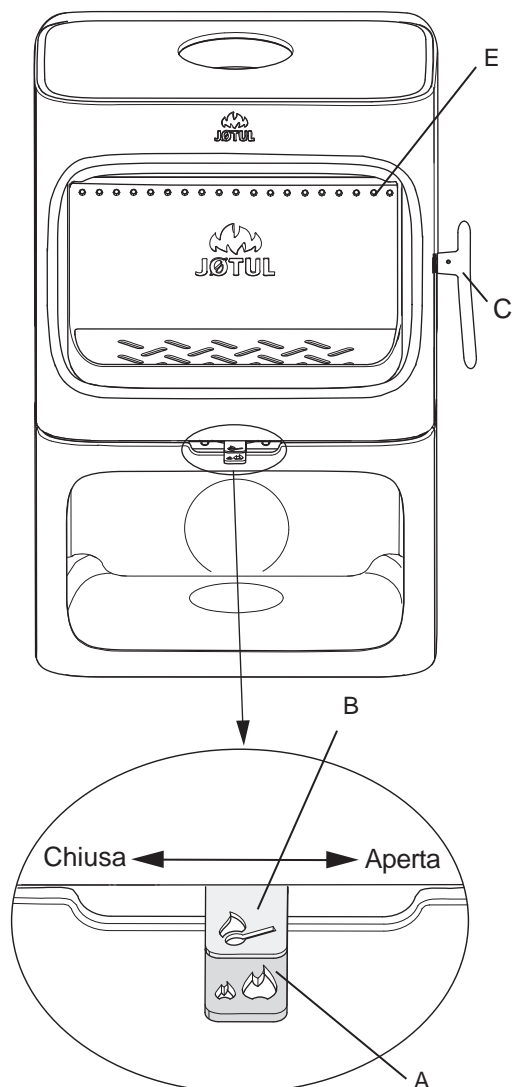


1. Se non utilizzate la piastra di convezione nella camera di combustione, avvitate nuovamente le quattro viti (A) in posizione.

4.6 Controllo delle prestazioni

Una volta assemblato il prodotto, controllare sempre le manopole di regolazione. Devono muoversi facilmente e funzionare in modo soddisfacente.

Fig. 32



Jøtul F 305 è dotato delle seguenti opzioni di funzionamento:

Presa d'aria (A)

Spingere a sinistra: chiusa
Spingere a destra: aperta

Presa di accensione (B)

Spingere a sinistra: chiusa
Spingere a destra: aperta

Maniglia della porta (C)

Si apre tirando la maniglia.

Altezza di impilaggio (E) per la legna (*i fori possono non essere coperti*).

5.0 Utilizzo giornaliero

Odori al primo utilizzo del caminetto

Quando il caminetto viene utilizzato per la prima volta, può emettere un gas irritante dal lieve odore. Ciò si verifica perché la vernice si secca. Il gas non è tossico, tuttavia il locale deve essere ventilato approfonditamente. Lasciare bruciare il fuoco con un tiraggio elevato, fino a far scomparire ogni traccia di gas, fumo e odore.

Consiglio per l'alimentazione della stufa

Nota: i ceppi conservati all'aperto o in un locale freddo devono essere collocati all'interno 24 ore prima dell'uso, al fine di portarli alla temperatura ambiente.

Ci sono vari modi per alimentare la stufa, tuttavia è sempre importante prestare attenzione a ciò che viene collocato nella stufa. Consultare la sezione "Qualità della legna".

Importante! Una circolazione dell'aria inadeguata può comportare una combustione insufficiente, emissioni elevate e un basso livello di efficienza.

Qualità della legna

Per "legna di qualità" si intendono tipi di legna generalmente conosciuti come la betulla, l'abete e il pino.

I ceppi devono essere asciugati, in modo che il contenuto di umidità non sia superiore al 20%.

A tal fine, si consiglia di tagliare i ceppi alla fine dell'inverno. Tagliarli e impilarli in modo da garantire una buona ventilazione. Le pile di legna devono essere coperte per proteggere i ceppi dalla pioggia. Portare i ceppi all'interno all'inizio dell'autunno e impilarli/conservarli per utilizzarli in inverno.

Prestare particolare attenzione a non utilizzare mai i seguenti materiali come combustibile per il caminetto:

Rifiuti domestici, buste di plastica, ecc.

- Legname verniciato o impregnato (*in quanto estremamente tossico*).
- Assi di legno laminato.
- Cumuli di legname trasportato dalla corrente

Possono danneggiare il prodotto e sono anche inquinanti.

Nota: non utilizzare mai petrolio, paraffina, alcol denaturato o liquidi simili per accendere il fuoco, in quanto potrebbero causare lesioni gravi all'utilizzatore e danni al prodotto.

Fascine (legna spaccata finemente):

Lunghezza: max. 41 cm
Diametro: 2-5 cm
Quantità richiesta per carico: 6-8 pezzi

Legna (spaccata):

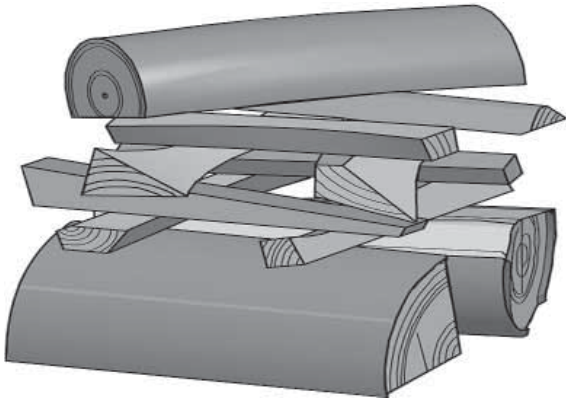
Lunghezza raccomandata: 30 - 40 cm
Diametro: circa 8 cm
Intervallo di aggiunta della legna: circa ogni 45 - 50 minuti
Dimensioni della fiamma: 1,8 kg (potenza nominale)
Quantità richiesta per carico: x2
Quantità max di fascine: 2,4 kg

L'emissione di calore nominale si ottiene quando la presa d'aria è aperta circa al 50 % (**fig. 32 A**) e la presa di accensione (**fig. 32 B**) chiusa.

Accensione iniziale

Aprire le prese d'aria e di accensione estraendo completamente le manopole (**Fig. 32 A e B**). Se necessario, tenere la porta leggermente aperta. (Utilizzare un guanto o simile per proteggere la mano nel caso in cui le manopole siano calde.)

Fig. 33



- Posizionare due ceppi in fondo alla camera di combustione e impilare le fascine in strati.
- Infine, posizionare un ceppo di dimensioni medie in cima alla pila.
- Posizionare 2 o 3 bricchette o ramoscelli sotto lo strato superiore di fascine e accendere il fuoco. **Nota: l'altezza massima della pila di legna deve essere appena inferiore ai fori orizzontali. I fori non devono essere coperti.**
- Chiudere la presa di accensione (**Fig. 32 B**) quando la legna ha preso fuoco e brucia correttamente.
- Dopodiché, è possibile variare il tasso di combustione per ottenere il calore desiderato regolando la presa d'aria (**fig. 32 A**).
- Controllare che abbia inizio la postcombustione (combustione secondaria). Ciò viene indicato dalla presenza di fiamme gialle e guizzanti davanti ai fori sotto il parafiamma.
- Se il flusso d'aria è normale, sarà possibile chiudere la porta e il fuoco si regolerà autonomamente.

Aggiunta della legna

Alimentare frequentemente la stufa, aggiungendo solo piccoli quantitativi di combustibile alla volta. Se la stufa è troppo piena, il calore creato potrebbe causare sollecitazioni estreme della canna fumaria. Aggiungere con moderazione il combustibile al fuoco. Evitare i fuochi che bruciano senza fiamme, dato che ciò produrrà il massimo inquinamento. Un fuoco ottimale si ottiene con una buona bruciatura e un fumo in uscita dalla canna fumaria quasi invisibile.

5.1 Pericolo di surriscaldamento

Il caminetto non deve mai essere utilizzato in modo tale da causare surriscaldamento

Il surriscaldamento si verifica in presenza di un eccesso di combustibile e/o di aria, causando un calore eccessivo. Un segno evidente di surriscaldamento è la presenza di un bagliore rosso in alcune parti del caminetto. Se ciò dovesse accadere, ridurre immediatamente l'apertura della presa d'aria.

Consultare un professionista se si sospetta che la canna fumaria non presenti un tiraggio corretto (tiraggio eccessivo o scarso). Per ulteriori informazioni, consultare il capitolo "4.0 Installazione" (Canna fumaria e condotto).

5.2 Rimozione della cenere

Jøtul F 305 include un ceneraio che semplifica la rimozione della cenere.

- Rimuovere la cenere solo con il caminetto freddo.
- Raschiare la cenere attraverso la grata nella parte interna inferiore e in basso all'interno del ceneraio. Utilizzare un guanto o simile per proteggere le mani. Impugnare la maniglia del ceneraio ed estrarlo sollevandolo. Assicurarsi che il ceneraio non sia mai così colmo da impedire la caduta della cenere attraverso la grata fino al ceneraio.
- Assicurarsi che il ceneraio sia spinto fino in fondo prima di chiudere la porta.

6.0 Manutenzione

6.1 Pulizia del vetro

Il prodotto dispone del sistema di pulizia ad aria del vetro. Attraverso la presa d'aria, l'aria viene risucchiata nella parte superiore del camino e spinta verso il basso lungo la parte interna del vetro.

Sarà comunque inevitabile l'accumulo di un po' fuliggine sul vetro, la cui quantità dipenderà dalle condizioni di tiraggio locale e dalla regolazione della presa d'aria. La maggior parte della fuliggine verrà normalmente bruciata quando si apre completamente la presa d'aria mentre il fuoco brucia vivacemente nel camino.

Suggerimento utile! Per la pulizia generale, utilizzare carta da cucina inumidita con acqua calda e aggiungere della cenere presa dalla camera di combustione. Pulire il vetro con la carta, quindi risciacquarlo con acqua pulita e asciugarlo completamente. Se fosse necessario pulire il vetro più a fondo, utilizzare un detergente per vetri (*seguire le istruzioni riportate sul flacone*).

6.2 Pulizia e rimozione della fuliggine

I depositi di fuliggine possono accumularsi sulle superfici interne del caminetto durante l'uso. La fuliggine è un buon isolante, pertanto riduce la potenza termica del caminetto. Se si accumulano depositi di fuliggine durante l'utilizzo del prodotto, per rimuoverli è sufficiente utilizzare un detergente specifico.

Al fine di impedire la formazione di acqua e di uno strato di pece liquida nel caminetto, consentire regolarmente la presenza di fiamme particolarmente calde per rimuovere lo strato. È richiesta una pulizia interna annuale per ottenere i migliori risultati termici dal prodotto. Si consiglia di effettuarla insieme alla pulizia della canna fumaria e dei condotti.

6.3 Pulizia dei condotti alla canna fumaria

I condotti devono essere spazzati attraverso l'apposito portello o l'apertura della porta. Uno dei parafiamma dovrà prima essere rimosso per consentire l'esecuzione di tale operazione.

6.4 Ispezione del caminetto

Jøtul raccomanda di ispezionare attentamente il proprio caminetto dopo averlo spazzato e pulito. Controllare tutte le superfici visibili per individuare eventuali crepe. Controllare anche che tutti i giunti siano sigillati e che tutte le guarnizioni siano nelle posizioni corrette. Qualsiasi guarnizione che mostri segni di usura o deformazione deve essere sostituita.

Pulire accuratamente le scanalature delle guarnizioni, applicare della colla per ceramica (disponibile presso il proprio rivenditore Jøtul locale) e premere la guarnizione in posizione. Il giunto si asciugherà rapidamente.

6.5 Manutenzione esterna

Il colore dei prodotti verniciati può alterarsi dopo svariati anni di utilizzo. La superficie deve essere pulita e spazzolata in modo da rimuovere ogni residuo prima di applicare la nuova vernice.

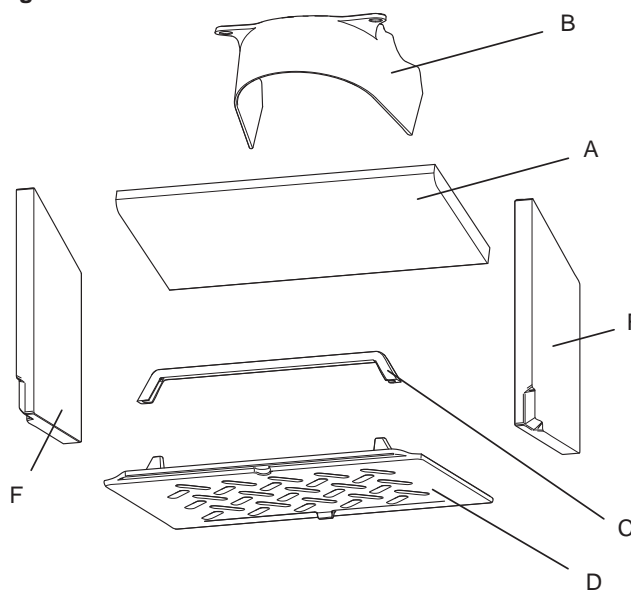
7.0 Assistenza

Avviso: è vietata ogni modifica non autorizzata al prodotto. Utilizzare solo ricambi originali.

7.1 Manutenzione/sostituzione di componenti nella camera di combustione

Nota: utilizzare gli utensili con grande attenzione! Le piastre in vermiculite possono danneggiarsi se non trattate con cura.

Fig. 34

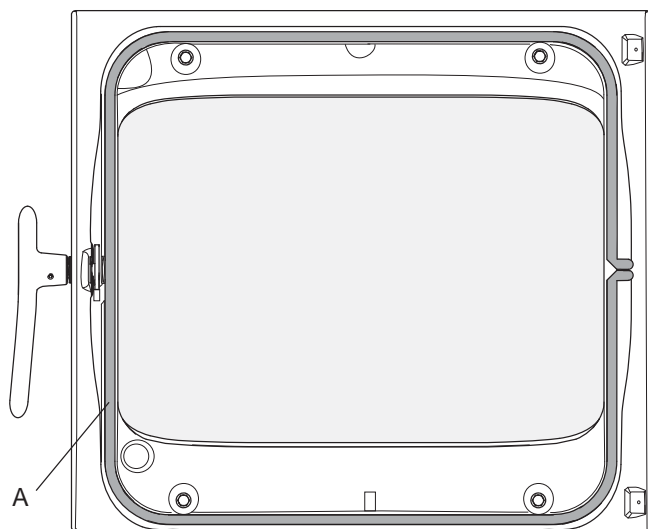


1. Sollevare il bordo posteriore del deflettore (A) in avanti e in basso ed estrarlo dalla camera di combustione girandolo.
2. È possibile smontare la piastra di aspirazione (B) svitando le 2 viti che la fissano in posizione.
3. Blocco dei ceppi (C): sollevare il blocco dei ceppi ed estrarlo direttamente dalla camera di combustione.
4. Grata per cenere (D) – Rimuovere prima il blocco dei ceppi (C). Tirare fuori il ceneraio e spingere la grata per cenere (D) dal basso verso l'alto, in modo da afferrarla dal lato superiore ed estrarla sollevandola dalla camera di combustione.
5. Piastre refrattarie laterali (F): rimuovere prima il blocco dei ceppi (C) e il ceneraio. Poi estrarre le piastre refrattarie sollevandole.

ITALIANO

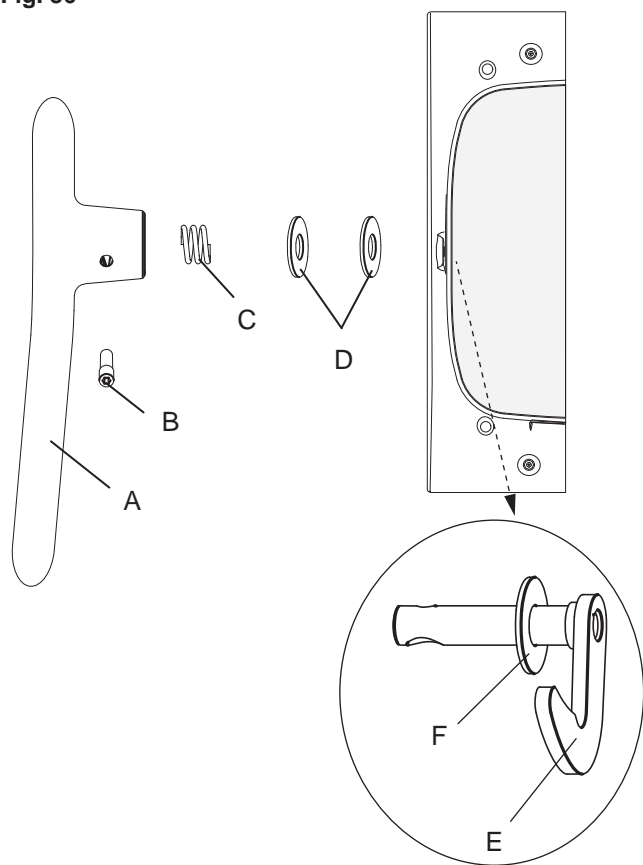
7.3 Sostituzione del vetro e delle guarnizioni nella porta

Fig. 35



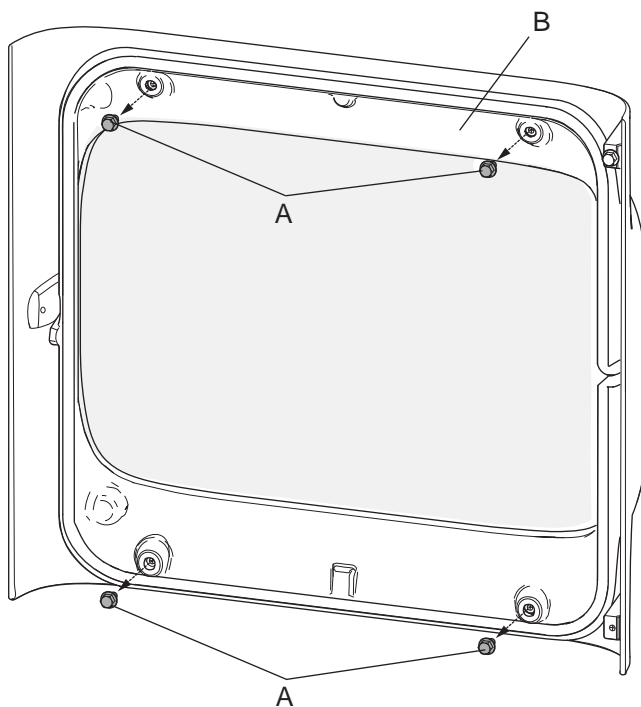
1. Rimuovere la guarnizione (A) posta all'interno della porta, pulirne la scanalatura e incollarla su una nuova guarnizione.

Fig. 36



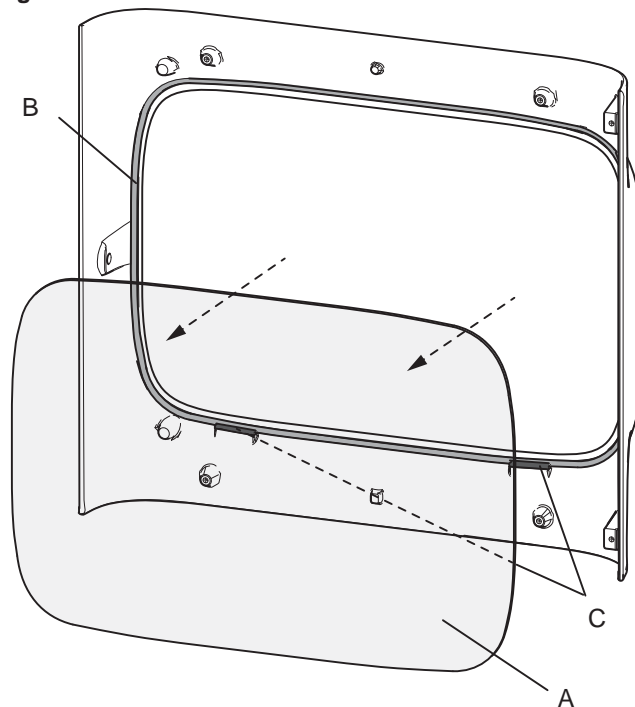
2. Svitare le vite (B) e allentare la maniglia (A).
3. Estrarre la molla (C) e le due rondelle (D).
4. Estrarre il gancio della porta (E) e la rondella (F).

Fig. 37



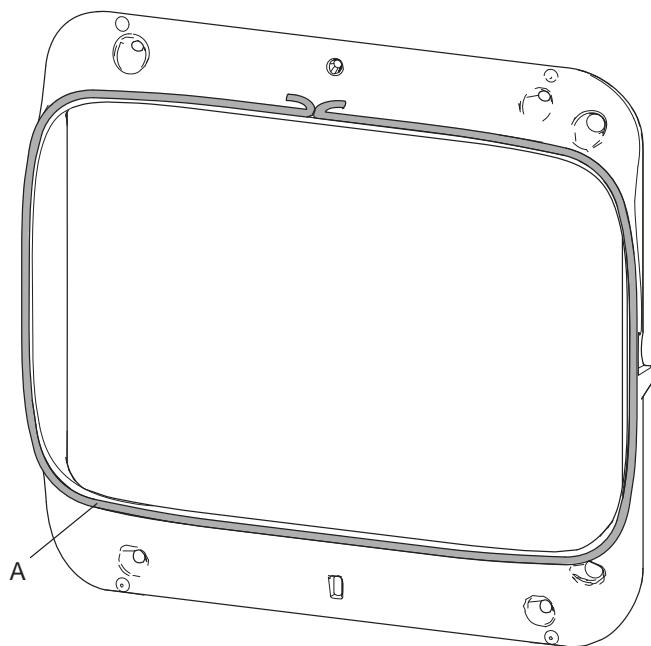
5. Se una guarnizione del vetro o un vetro devono essere sostituiti, rimuovere prima la maniglia della porta (vedere it. 2-4).
6. Svitare il supporto del vetro (B) fissato con 4 viti (A).
Nota: il vetro nella porta non è fissato. Fare attenzione a non buttare giù il vetro una volta allentato il supporto del vetro.

Fig. 38



7. Rimuovere il vetro (A) con attenzione. Rimuovere le guarnizioni (B) e (C) e pulire le scanalature. Incollare sulle nuove guarnizioni.

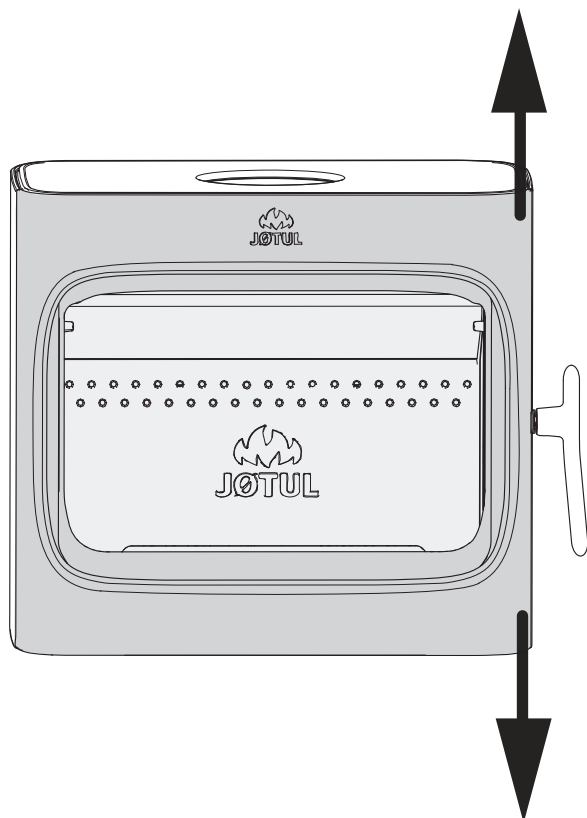
Fig. 39



8. Rimuovere la vecchia guarnizione **(A)** e pulire le scanalature. Incollare su una nuova guarnizione.
9. Rimontare tutte le parti una volta sostituite tutte le guarnizioni danneggiate.

Regolazione della porta

Fig. 40



1. La porta può anche essere regolata verso l'alto o verso il basso leggermente sul lato del fermo della porta inserendola in posizione. **Nota: la porta non può essere completamente chiusa durante la regolazione!**

8.0 Accessori opzionali

8.1 Condotto per l'aria esterna

Condotto per l'aria esterna, Ø 80 mm - N. cat. 51047509
 Condotto per l'aria esterna, Ø 100 mm - N. cat. 51012164

8.2 Kit coperchio in pietra ollare

N. cat. 51048022, BP
 N. cat. 51049314, WHE

8.3 Ceneraio per montanti

N. cat. 51047339, BP
 N. cat. 51047341, WHE

8.4 Griglia di protezione per sfera di pulizia per canna fumaria

N. cat. 151608 (Ø 150 mm).

8.5 Montanti corti

Art. nr. 51047318, BP
 Art. nr. 51047340, WHE

9.0 Riciclaggio

9.1 Riciclaggio dell'imballo

Ogni caminetto viene fornito all'interno del seguente imballo:

- Un pallet di legno che può essere tagliato e bruciato nel caminetto.
- Un imballo in cartone riciclabile da consegnare alle strutture di riciclaggio locali.
- Buste in plastica riciclabili da consegnare alle strutture di riciclaggio locali.

9.2 Riciclaggio del caminetto

Il caminetto è composto dai seguenti materiali:

- Metallo riciclabile da consegnare alle strutture di riciclaggio locali.
- Vetro da smaltire come rifiuto pericoloso. Il vetro contenuto nel caminetto non deve essere collocato in un normale contenitore per rifiuti domestici.
- Piastre refrattarie in vermiculite da smaltire nei normali contenitori per rifiuti domestici.

10.0 Garanzia

Jøtul AS fornisce ai propri clienti una garanzia decennale che prevede il diritto alla restituzione degli elementi esterni in ghisa, qualora mostrino difetti nei materiali e/o nella fabbricazione, dopo l'acquisto iniziale/installazione del caminetto. L'acquirente ha diritto alla restituzione delle merci nel caso in cui il caminetto sia stato installato in conformità alle leggi e normative vigenti e in conformità alle istruzioni di installazione e funzionamento di Jøtul.

La garanzia non copre:

L'installazione degli accessori opzionali, ad esempio per modificare le condizioni di tiraggio locale, la circolazione dell'aria o altre circostanze al di fuori del controllo di Jøtul. La garanzia non copre i consumabili, come le piastre refrattarie, i parafiamma, le grate del fuoco, le grate inferiori, gli elementi refrattari in mattone, le valvole di tiraggio e le guarnizioni, essendo soggetti a deterioramento nel tempo a causa della normale usura. La garanzia non copre i danni causati a seguito dell'utilizzo di un combustibile non idoneo per accendere il fuoco, come cumuli di legname trasportato dalla corrente, legna impregnata e verniciata, ritagli di assi, truciolato, ecc. Utilizzando combustibili non idonei, può verificarsi facilmente un surriscaldamento, una condizione in grado di causare lo scolorimento della vernice e crepe alle parti in ghisa.

La garanzia non è valida per i danni causati durante il passaggio del prodotto dal distributore all'indirizzo di consegna. Inoltre, la garanzia non è valida per i danni dovuti all'utilizzo di componenti non originali.

Sluttkontroll av ildsteder

Quality control of stoves and fireplaces

Checked

Utført	Kontrollpunkt	Controlled item
✓	Alle deler er med i produktet (ifølge struktur).	All parts are included.
✓	Alle festemidler er av korrekt type, og er korrekt anvendt.	Correct fastener items have been used and correctly applied.
✓	Overflater er i samsvar med Jøtuls kvalitetsstandarder.	Surfaces comply with Jøtul workmanship standards.
✓	Lukkemekanismer fungerer som de skal, og uten behov for unødige stor kraft.	Door locking mechanisms function correctly; excessive force is not needed.
✓	Produktet/serien møter kravet for lekkasjetest.	The product/lot complies with the leakage test requirement.
✓	Lakkerte/emaljerte overflater møter kravene i Jøtuls kvalitetsstandarder.	Paint/enamel surface finish complies with Jøtul workmanship standards.
✓	Produktet er fritt for utvendig kitt- eller limklin.	Surfaces are not contaminated by external stove cement or glue.
✓	Produktet har ingen sprekker i glass, støpejern eller andre deler.	There are no cracks in glass, cast iron or other parts.
✓	Pakninger er riktig lagt, og skjemmer ikke produktet ved stygge ender eller ved at pakningen er unødig synlig.	Gaskets are correctly applied and do not degrade product appearance (i.e. loose ends or excessive visible exposure).
✓	Dørpakninger er godt limt.	Door gaskets are firmly glued/ fixed to the door.
✓	Dørpakninger har tilfredsstillende pakningstrykk.	Door gaskets provide satisfactory sealing.
✓	Sjekk at det ikke "lyser gjennom" i dørpakning eller andre sammenføyninger.	Check for "light through" at door seals and other relevant locations.
✓	Trekkhender osv fungerer normalt.	The function of air valve handle etc is normal.

Jøtul bekrefter herved at dette produktet er kontrollert og funnet å være i samsvar med våre kvalitetsnormer.	Jøtul hereby confirm that this product has been QC inspected and found to comply with our quality standards.
Lot. No. / Serie nr. - Checked by / kontrollert av	

Cat.no. 10048029 -P04
Jøtul AS, Nov., 2015

Jøtul pursue a policy of constant product development. Products supplied may therefore differ in specification, colour and type of accessories from those illustrated and described in the brochure.

Jøtul vise sans cesse à améliorer ses produits. C'est pourquoi, il se réserve le droit de modifier les spécifications, couleurs et équipements sans avis préalable.

Quality

Jøtul AS has a quality system that conforms to NS-EN ISO 9001 for product development, manufacturing, and distribution of stoves and fireplaces. This policy gives our customers quality and safety piece of mind as a result of Jøtul's vast experience dating back to when the company first started in 1853.

Qualité

Le système de contrôle de la qualité de Jøtul AS est conforme à la norme NS-EN ISO 9001 relative à la conception, à la fabrication et à la distribution de poêles, foyers et inserts. Cette politique nous permet d'offrir à nos clients une qualité et une sécurité reposant sur la vaste expérience accumulée par Jøtul depuis sa création en 1853.



Jøtul AS,
P.o. box 1411
N-1602 Fredrikstad,
Norway
www.jotul.com