

# STOVAX

---



## *Riva Studio*

### *Inset Convector Cassette*

MODELS: RVS-1/RVS-2/RVS-3

## **Instructions for Use, Installation and Servicing**

**For use in GB & IE (Great Britain and Republic of Ireland).**



This appliance has been certified for use in countries other than those stated. To install this appliance in these countries, it is essential to obtain the translated instructions and in some cases the appliance will require modification. Contact Stovax for further information.

### **IMPORTANT**

**This appliance will become hot whilst in operation, it is therefore recommended that a suitable guard should be used for the protection of young children, the elderly or infirm. Do not attempt to burn rubbish in this appliance.**

**Please read these Instructions carefully before installation or use.  
Keep them in a safe place for future reference and when servicing the fire.**

**The commissioning sheet found on page 3 of these instructions should be completed by the Installer.**

## COVERING THE FOLLOWING MODELS:

### RVS-1/RVS-2/RVS-3

<b>APPLIANCE COMMISSIONING CHECKLIST</b>	<b>3</b>
<b>USER INSTRUCTIONS</b>	<b>4</b>
General Points	4
Using the Appliance for the first time	5
Recommended Fuels	5
Lighting the appliance	6
Running the appliance	6
Burning Tips	7
Fan kit	8
Outside Air kit	8
Convection Air Ducting kit	8
Ash Removal	8
Extended burning	8
Over-Firing	8
Chimney Fire	8
General Cleaning	8
Cleaning Glass	9
Chimney Sweeping	9
Care of Stove	9
Seasonal Use	10
Troubleshooting Tips	10
<b>INSTALLATION INSTRUCTIONS</b>	<b>11</b>
Technical Specifications	11
Standard Features	11
Packing List	11
Dimensions	12
<b>SITE REQUIREMENTS</b>	<b>13</b>
Flue & Chimney	13
Flue Outlet positions	14
Minimum Hearth Dimensions	14
Minimum Builders Opening	15
Builders Opening	15
Fire Surround Clearances	15
<b>PRE-INSTALLATION</b>	<b>16</b>
Flues	16
Additional Ventilation	16
Ventilation	17
Convection Air Ducting kit	17
Outside Air kit	17
<b>INSTALLATION</b>	<b>18</b>
Legal Requirements	18
Installing the Appliance	18
Frame kits	20
Studwork Installation	21
Removal of door	24
Removal of Log Guard	24
Fitting & Removal of the Lower Baffles	24

Fitting & Removal of the Top Baffles	25
Fitting & Removal of Fire Bricks	25
<b>COMMISSIONING</b>	<b>26</b>
<b>MAINTENANCE &amp; SERVICING</b>	<b>27</b>
Annual Service	27
Removal of Log Guard	27
Removal of Baffles	27
Removal of Fire Bricks	28
Fitting a New Glass Door	28
Fitting a New Door Seal	28
Adjusting Door Hinges	28
Adjusting Door Catch	28
<b>BASIC SPARE PARTS LIST</b>	<b>30</b>
<b>SERVICE RECORDS</b>	<b>34</b>
<b>EC DECLARATION OF CONFORMITY</b>	<b>35</b>



This appliance has been approved by HETAS Ltd.

#### DESIGN PROTECTION

The Studio design, including its frames and accessories, are protected by European Design Registration No. 001169338 0002 0008.

#### WARRANTY

Your Stovax retailer provides you with a Two Year Warranty for your new fire. However, this specifically excludes naturally wearing parts or 'consumables' such as glass, firebricks and rope seal and the use of non-authorized fuel such as petro-cokes. Furthermore, for the warranty to be valid, your stove must have been installed in accordance with the manufacturer's instructions and the second year's warranty is dependent on the appliance being serviced 12 months after installation by a HETAS or other similarly qualified engineer.

You can help your retailer to provide their warranty by returning the reply card or registering online at [www.stovax.com](http://www.stovax.com)

# APPLIANCE COMMISSIONING CHECKLIST

To assist us in any guarantee claim please complete the following information.  
In the unlikely event of a problem, contact your installer or dealer for assistance:

## Dealer appliance was purchased from

Name: .....

Address: .....

.....

Telephone number: .....

## Essential Information - MUST be completed

Date installed: .....

Model Description: .....

Serial number: .....

## Installation Engineer

Company name: .....

Address: .....

.....

Telephone number: .....

## Commissioning Checks (to be completed and signed)

Is flue system correct for the appliance      YES       NO

Flue swept and soundness test complete      YES       NO

Smoke test completed on installed appliance      YES       NO

Spillage test completed      YES       NO

Use of appliance and operation of controls explained      YES       NO

Clearance to combustible materials checked      YES       NO

Instruction book handed to customer      YES       NO

Signature: .....

Print name: .....

# USER INSTRUCTIONS

## 1. GENERAL POINTS

- 1.1 Before installation and/or use of this appliance please read these instructions fully and carefully to ensure that you have fully understood their requirements.

The appliance must be fitted by a registered installer†, or approved by your local building control officer.

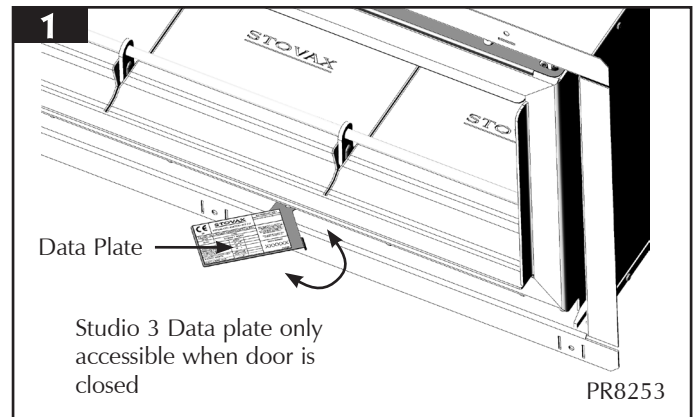
- 1.2 All local regulations, including those referring to national and European Standards need to be complied with when installing the appliance.
- 1.3 Only use for domestic heating in accordance with these operating instructions.
- 1.4 You must burn only approved fuels. Do not use with liquid fuels or as an incinerator.
- 1.5 Appliance surfaces become very hot when in use. Use a suitable fireguard if young children, elderly or infirm persons are present. Stovax offer firescreens, sparkguards and hearthgate systems for protection\*. Your Stovax dealer can advise you about these products.
- 1.6 Do not place photographs, TV's, paintings, porcelain or other combustible items on the wall or near the appliance. Exposure to hot temperatures will cause damage. Do not place furniture or other items such as drying clothing closer than 1m from the front of this appliance.
- 1.7 Extractor fans or cooker hoods must not be placed in the same room or space as this can cause appliance to emit fumes into the room.
- 1.8 Do not obstruct inside or outside ventilation required for the safe use of this appliance.
- 1.9 Do not make unauthorised changes to the appliance.
- 1.10 The chimney must be swept at least once a year. See Section 16
- 1.11 Do not connect, or share, the same flue or chimney system with another appliance.

### SERIAL NUMBER

- 1.12 This number is required when ordering spare parts or making warranty claims.

It is found on the appliance data plate, Diagram 1

\*In the U.K: These products must conform to BS 6539, Fireguards for use with solid fuel appliances. If appliance is operating unattended they must conform to BS 3248  
† Registered body: HETAS (GB only)/INFO (Eire)

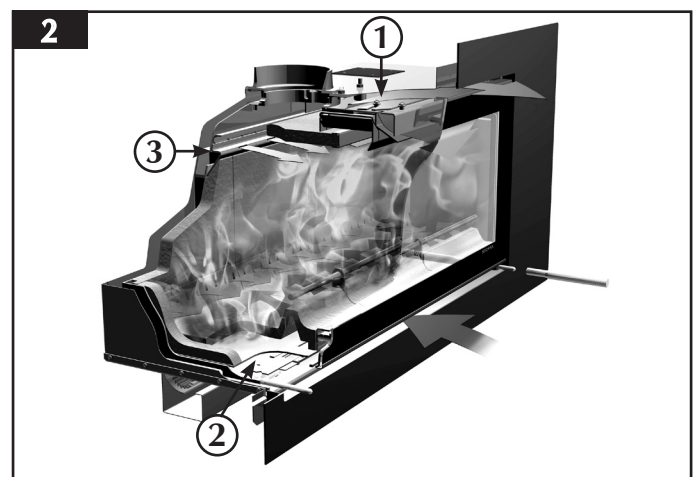


## AIR CONTROLS

### Triple Air Systems

Several Stovax appliances have triple air systems providing cleaner burning, and greater efficiency and control, See Diagram 2

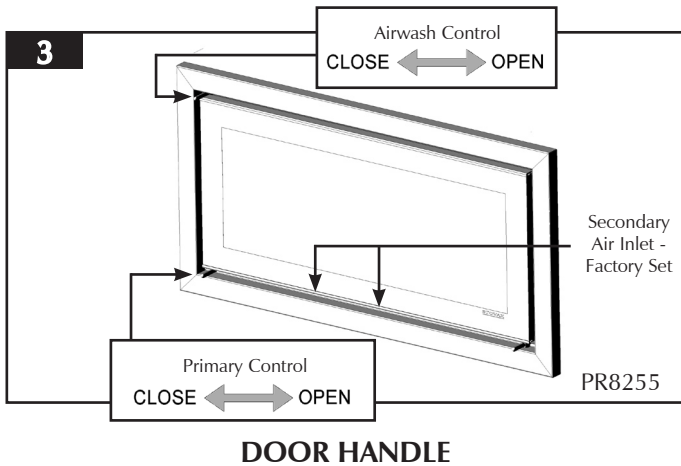
- 1) Airwash - air drawn over the window cleans the glass. The source of Primary Combustion air when burning wood.
- 2) Primary Air - for use with solid fuel and initially with wood fires.
- 3) Secondary Air - Secondary air is preheated through a heat exchanger to combust unburned hydrocarbons, providing a cleaner and more efficient burn.



For Air Controls, See Diagram below

# USER INSTRUCTIONS

## AIRWASH AND PRIMARY AIR CONTROLS STUDIO 1,2,3

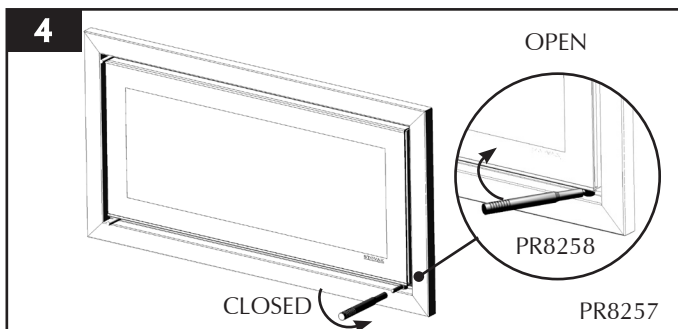


**DO NOT OPEN THE DOOR WITH BARE HANDS**

**DO NOT OPEN THE DOORS WHEN THE FIREBOX IS FULL OF FLAMES - WAIT FOR THEM TO DIE DOWN.**

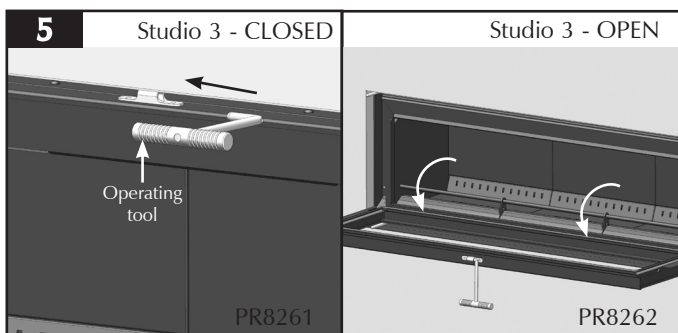
### Studio 1 & 2

- 1.13 Use a protective gloved hand to operate.
- Slide tool over knob to fit.
- 1.14 Move to the left to open



### Studio 3

- 1.15 Engage tool in door as shown, Diagram 5
- Pull door out and down to open



## WARNING

**Properly installed, operated and maintained this appliance will not emit fumes into the room.**

Occasional fumes from de-ashing and refuelling may occur.  
**Persistent fume emission is potentially dangerous and must not be tolerated.**

If fume emission does persist:

- Open doors and windows to ventilate the room
- Allow fire to burn out or safely dispose of fuel from the appliance
- Check for chimney blockage and clean if required

- Do not attempt to relight until the cause of the emission has been identified and corrected

If necessary seek expert advice.

- All open flued appliances can be affected by temporary atmospheric conditions which may allow fumes to enter the house. Because of this it is recommended that an electronic carbon monoxide detector conforming to BSEN50291 be fitted and maintained.

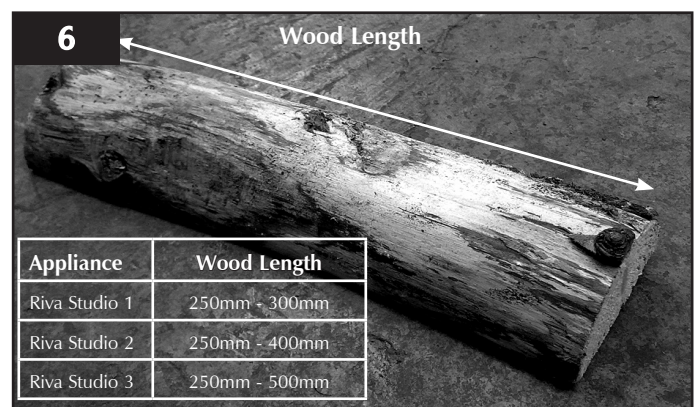
## 2. USING THE APPLIANCE FOR THE FIRST TIME

- 2.1 To allow the appliance to settle, and fixing glues and paint to fully cure, operate the appliance at a low temperature for first few days.
- 2.2 Do not touch the paint during the first period of use.
- 2.3 During this time the appliance may give off some unpleasant odours. Keep the room well ventilated to avoid a build-up of fumes.

## 3. RECOMMENDED FUELS

### 3.1 Wood Logs:

Burn only seasoned timber with a moisture content of less than 20%. To ensure this allow cut wood to dry for 12 to 18 months.





# USER INSTRUCTIONS

Poor quality timber:

- Causes low combustion efficiency
- Produces harmful condensation
- Reduces effectiveness of the airwash and life of the appliance

**Do not burn construction timber, painted, impregnated / treated wood, manufactured board products or pallet wood.**

### 3.2 Fuel consumption.

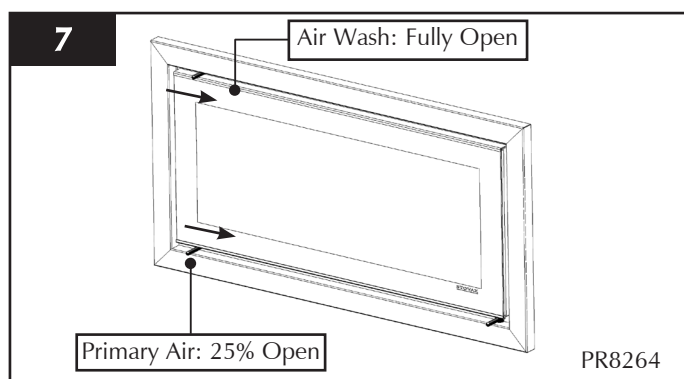
As tested at nominal heat output to the requirements of EN 13229: 2001 for intermittent operation:

Description	Fuel Consumption
	Kg/hour Wood
Riva Studio 1	1.6
Riva Studio 2	2.4
Riva Studio 3	3.6

A number of factors can affect the performance of the appliance. See Section 8 for details.

## 4. LIGHTING THE APPLIANCE

4.1 For best results set air controls as shown in Diagram 7



Place firelighters or paper and dry kindling wood on the base bricks.

Light the paper or firelighters, Diagram 8

Leave the door slightly open as the fire establishes and the glass warms to avoid build up of condensation.



Add larger pieces of wood. Too many logs may smother the fire.

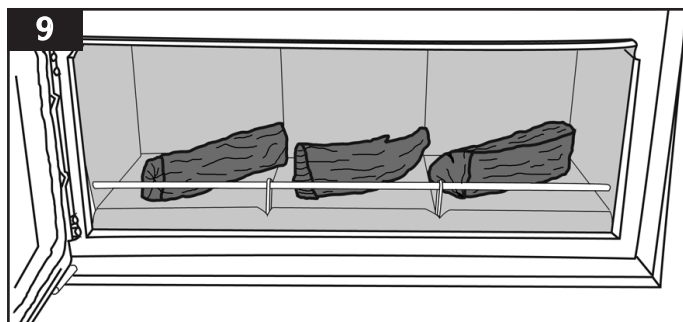
### 4.2 Fuel Loading:

These are wide appliances and the logs should be laid out in a single layer with gaps between, Diagram 9

**Do not stack the logs on top of each other as this could effect the efficiency.**  
**Do not overload the appliance as the heat output will be too high.**

#### Suggested Loads:

Studio 1 & 2 - 3/4 logs no bigger than 5" (127mm) diameter  
 Studio 3 - 4/5 logs no bigger than 5" (127mm) diameter



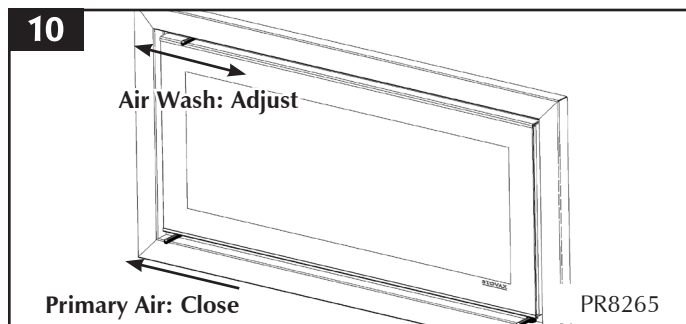
- Close the door
- Do not leave the door open as this could over-fire and damage the appliance.**

## 5. RUNNING THE APPLIANCE

### 5.1 Burning Wood:

Close the **Primary air control** and use the **Airwash** to control the burn rate when appliance is at operating temperature, see Diagram 10

# USER INSTRUCTIONS



Wood burns best on a bed of ash (approx. 25mm (1") deep).

— Rake the embers evenly over the firebed and open the **Airwash Control** fully for a few minutes before re-fuelling.

— Toward the end of the burn cycle it is advantageous to open the Primary Air control for a few minutes. This will increase the temperature of the ashbed, help re-ignition of the new logs and keep the depth of ash to a minimum.

5.2 Burn new logs at a high temperature for a few minutes before adjusting the **Airwash Control**. Refuel little and often for clean, efficient burning.

5.3 Do not burn large amounts of fuel with the **Airwash Control** closed for long periods of time. This reduces the glass cleaning effect of the Airwash and causes tars and creosotes to build-up in the appliance and flue system.

5.4 When in use, burning the appliance at a high temperature for a short period reduces tars and creosotes.

5.5 Experience establishes settings to suit personal preference.

## 6. BURNING TIPS

### 6.1 Fuel Quality (Wood)

Use wood with a moisture content of less than 20%. Seasoned logs have the bark beginning to lift and peel away and cracks radiating from the centre. They feel lighter than fresh cut wood of a similar size and sound hollow when struck against each other. Logs should not feel damp or have moss or fungal growths.

Symptoms related to wet wood:

- Difficulty starting and keeping a fire burning well.
- Smoke and small flames.
- Dirty glass and/or Firebricks.
- Rapid creosote build-up in the chimney.
- Low heat output.
- Short burn times, excessive fuel consumption and blue/grey smoke from the chimney.

Burn at a high temperature for a short period each day to avoid large build-ups of tars and creosotes within the appliance and the flue system.

Use Stovax Protector chimney cleaner to reduce this problem.

### 6.2 Air inlets puffing smoke

Combustion gases can build up in the firebox and ignite as small explosions, causing smoke to puff out of the air inlets and other openings. This occurs if the air controls are shut soon after adding new fuel to a very hot fire. Stop by opening the air controls to increase combustion air and burning rate.

### 6.3 Flue Draught

The chimney has two main functions:

- 1) To safely remove the smoke, gases and fumes from the house.
- 2) To provide a sufficient amount of draught (suction) in the appliance ensuring the fire keeps burning.

Draught is caused by the rising hot air in the chimney when the appliance is lit.

Symptoms of poor performance related to flue draught include:

- Excessive fuel consumption (high flue draught).
- Poor burning control and/or overheating (high flue draught).
- Wind noise from air controls (high flue draught).
- Difficulty getting a fire going and keeping it burning well (low flue draught).
- Low heat output (low flue draught).
- Smoke entering room when doors are opened (low flue draught).

The construction, position, size and height of the chimney all affect the performance of the flue draught.

Other factors effecting the flue draught include:

- Nearby trees or buildings causing turbulence.
- Outside temperature.
- Outside weather conditions.
- Incorrect additional ventilation to building.
- Blocked flue or chimney.

For advice on the correction of persistent flue problems consult a qualified heating engineer before continuing to use the appliance.

### 6.4 Weather conditions

The weather conditions outside the building can effect the burning performance of the appliance. These could include:

Weather Conditions	Problem	Effect
Windy days	Buildings/obstacles cause turbulent air around chimney	Smoky appliance
Calm days	Oversized chimney	Smoky appliance
Damp / Rainy days	Flue temperature not hot enough / rain water inside chimney	Lighting and burning problems

# USER INSTRUCTIONS

To reduce these problems:

- Use good quality kindling wood to start the fire.
- Burn initially at a high temperature for a short period.
- Fit a rain cowl to the chimney.

Your installer should advise you on possible solutions.

If the appliance emits smoke into the room continuously:

- Close the air controls and allow the appliance to go out.
- Ventilate the room to clear the fumes.

**Do not re-light the appliance until the problem is solved**

## 7. FAN KIT

- 7.1 This appliance can be fitted with an optional convection fan kit. The fan must be fitted at the time of installation. For installation and operating procedures you must refer to the instructions supplied with the fan kit - Stovax Part No PM379.

## 8. OUTSIDE AIR KIT

- 8.1 This appliance can be fitted with an optional kit to help bring air directly into the appliance from outside. The For installation and operating procedures you must refer to the instructions supplied with the Outside Air kit - Stovax Part No PM361.

## 9. WARM AIR DUCTING KIT

- 9.1 This appliance can be fitted with an optional Warm Air Ducting kit to help circulate warm air to other room in the house. This operation may require additional ventilation in order to comply with building regulations and a qualified installer should be consulted before fitting. The Ducting kit must be fitted at the time of installation. For installation and operating procedures you must refer to the instructions supplied with the Warm Air Ducting kit - Stovax Part No PM509.

## 10. ASH REMOVAL

- 10.1 Wood burns best on a bed of ash  
**Do not allow ash to build up in the appliance as it will not burn properly and may cause damage.**
- 10.2 • Open door, see Diagram 4&5 on page 5  
Remove ash with a small shovel (available from Stovax). Take care not to damage the ceramic lining of the appliance. Do not use sharp pointed pokers.
- 10.3 Remove ash carefully - heat can remain long after use.
- 10.4 Carefully place the ash into a Stovax Ash Caddy (Stovax Part No. 4227)
- 10.5 Do not place hot ash in a bin made from plastic or any other combustible material.

## 11. EXTENDED BURNING (WOOD)

- 11.1 It is possible to get the appliance to burn for extended periods of time. In order to do this:
- De-ash prior to final refuelling.
  - Set air controls to low combustion settings. This will gradually blacken the glass but it will clear when operated at a high temperature for a short period.

## 12. OVER-FIRING

- 12.1 Do not over-fill with fuel or run at high temperatures for long periods or over-firing can occur. If the flue pipe, flue collar or top plate glow red the appliance is over-firing. Close the air controls to reduce the temperature.
- 12.2 **Over-firing can cause permanent damage to the appliance.**

## 13. CHIMNEY FIRE

- 13.1 **If a chimney fire occurs:**
- **Shut all air controls immediately.**
  - **Evacuate the building.**
  - **Call the fire brigade.**
  - **Do not re-enter the building until it is confirmed safe.**
- 13.2 **Do not use the appliance after a chimney fire until:**
- It has been inspected by a registered installer\*, confirming the appliance is safe to use.**
  - The chimney system has been inspected and swept by a chimney sweep, confirming the system is structurally sound and free from obstruction\*\*.
  - It is repaired as required before re-use.** Use only genuine Stovax replacement parts to keep your appliance in safe, efficient working order.

## 14. GENERAL CLEANING

- 14.1 Clean and inspect the appliance regularly, especially in periods of heavy use. Regular cleaning and maintenance will help give many years of safe use.
- Allow appliance to cool thoroughly to avoid risk of burns.**
- Clean regularly, according to level of use.
- Remove the ash completely (see *User Instructions, Section 7*).



# USER INSTRUCTIONS

Check internal components for damage - grates, bricks, baffles - and for obvious build up of soot, ash or debris above the flue baffle(s) (these can be found in the upper part of the firebox). Use a torch if necessary.

If there are any signs of a build up of debris above the flue baffle(s) either:

- Arrange for the chimney to be swept (see *User Instructions, Section 13*).
- Remove the baffles and clear the debris (see *Installation Instructions, Sections 4 & 5*).

To refresh painted finishes use Stovax Midnight black paint.

**Do not use aerosol sprays near an operating appliance.**

## 15. CLEANING GLASS

Keep the glass clean with correct use of the Airwash system and good quality fuel.

15.1 Sometimes additional cleaning may be required.

This can be done as follows:

- Allow appliance to cool fully. **Do not clean hot glass.**
- Use a soft cloth and Stovax Glass Cleaner.

15.2 Before re-lighting the appliance dry the glass fully.

15.3 **Do not use abrasive cleaner or cleaning pads.**

## 16. CHIMNEY SWEEPING

16.1 To maintain safe and efficient use of the appliance, the chimney/flue must be inspected and swept at least once a year by a qualified chimney sweep\*\*.

If the appliance is used continuously throughout the year, or it is used to burn wood, more frequent sweeping is recommended.

The best time to have the chimney swept is at the start of the heating season.

16.2 The chimney, any connecting flue pipe and the appliance flue ways, if incorporated, must be regularly cleaned.

16.3 Ensure adequate access for cleaning where it is not possible to sweep through the chimney.

16.4 If the chimney is believed to have previously served an open fire it must be swept a second time within a month of regular use after installation.

## 17. CARE OF STOVE

Stovax has a range of cleaning and maintenance products and accessories to keep your appliance in good working condition. Your Stovax retailer can provide full details but here is a brief list of useful items:

Product Code	Description
5039	Gas lighter
4052	Log basket
3048	Wood sling - for easy carrying of logs
4027	Extra long protective gloves
5038	Hearthgate - 5 section (for areas 1780x610mm)
4227	Ash caddy - 382x102x306mm
4228	Ash caddy - 446x102x306mm
4229	Ash caddy - 382x102x459mm
4230	Ash caddy - 637x127x408mm
4231	Ash caddy - 306x178x459mm
2091	Ashclean vacuum cleaner attachment
4232	Steel brush

Your retailer can provide genuine spare parts such as replacement glass, door sealing rope and fire bricks when required. An annual service by a competent engineer is recommended to keep your appliance in best possible condition.



In the U.K:

\* registered with HETAS (GB only)/INFO (Republic of Ireland only)

\*\* This should be done by a HETAS registered chimney sweep, who will issue you with a certificate.

# USER INSTRUCTIONS

## 18. SEASONAL USE

- 18.1 Clean and service the appliance if not used during the warmer months, as detailed in the *Maintenance and Servicing* section.
- 18.2 Set the air controls to 50% to keep the appliance ventilated and stop the build-up of any moisture inside.
- 18.3 Before re-lighting the appliance:
  - Remove the baffles.
  - Clear any debris that may have accumulated.
  - Check the flue is clear of any blockages.

## 19. TROUBLESHOOTING TIPS

### 19.1 Stove glass blackening

This has four possible causes:

#### 1. Incorrect use of Airwash

See *User Instructions, Sections 1, 4 and 5* for the correct use of the air controls.

#### 2. Burning unseasoned wood

See *User Instructions, Section 3* to identify when wood is ready for burning.

#### 3. Stove operated at too low a temperature

A stove pipe thermometer can identify this problem (Stovax part no 3046). **The ideal working temperature range** is 130°C - 250°C (270°F - 480°F). Failing to close down the Primary Air Control once the appliance has heated up to this range may cause the appliance to exceed the ideal temperature range and to over-fire. Over-firing can cause permanent damage to the appliance and invalidates your warranty. Burn with the Airwash Control fully open for approximately 20 minutes to cure this.

The problem may be caused by damping down the appliance during periods of extended burning.

#### 4. Problems with the flue, in particular insufficient air pull.

If the flue is not working efficiently the glass can blacken. A flue which has too much downdraft may be too short, needs lining, or has too many bends. This can also cause blackening of the stove glass. Contact the installer or a flue specialist for advice.

### 19.2 Glass cracking

This product contains a Heat resistant glass panel. This panel should be checked during Installation and at each servicing interval. If any damage is observed on the front face of the glass panel (scratches, scores, cracks or other surface defects), the glass panel must be replaced and the appliance must not be used until a replacement is installed. Under no circumstances should the appliance be used if any damage is observed, the glass panel is removed or broken, See *Glass Replacement - Servicing & Maintenance section*.

### 19.3 Appliance is producing tar

This can be identified by:

- A very strong pungent smell shortly after the appliance is lit and heats up.
- Glass blackening.
- Thick, brown, sticky tar oozing from the pipe joints.

This is caused by burning damp wood and running the appliance at too low a temperature.

Use well seasoned wood and operate the appliance within the ideal temperature range.

**Tar is a major cause of chimney fires.** If the appliance experiences problems with tar build up consult a chimney sweep before continued use of the appliance.

### 19.5 In the unlikely event of a problem that cannot be solved by these tips contact your installer or dealer for help.

# TECHNICAL SPECIFICATION

## RIVA STUDIO

<b>Model</b> Riva Studio 1 - Model: RVS-1 Riva Studio 2 - Model: RVS-2 Riva Studio 3 - Model: RVS-3			RIVA STUDIO 1	RIVA STUDIO 2	RIVA STUDIO 3
Nominal Heat Output	Wood	Kw	5.0	8.0	11.0
Flue Draught at Nominal Heat Output	All Fuels	mm Wg	1.5	1.5	1.5
		inch Wg	0.05	0.05	0.05
Flue Gas Mass Flow	Wood	g/s	5.5	6.6	8.6
Flue Gas Temperature at Spigot/Socket	Wood	C	301	346	352
Flue Outlet Size (Top/Rear Option) Diameter		mm	153	153	153
		inch	6	6	6
Weight		Kg	88	135	206
Recommended Fuels	Wood	Seasoned Wood (less than 20% moisture content)			

**Do not burn petroleum based fuels such as petro-coke, as these will seriously damage the appliance.**

As tested to the requirements of EN 13229 for intermittent operation.

### STANDARD FEATURES

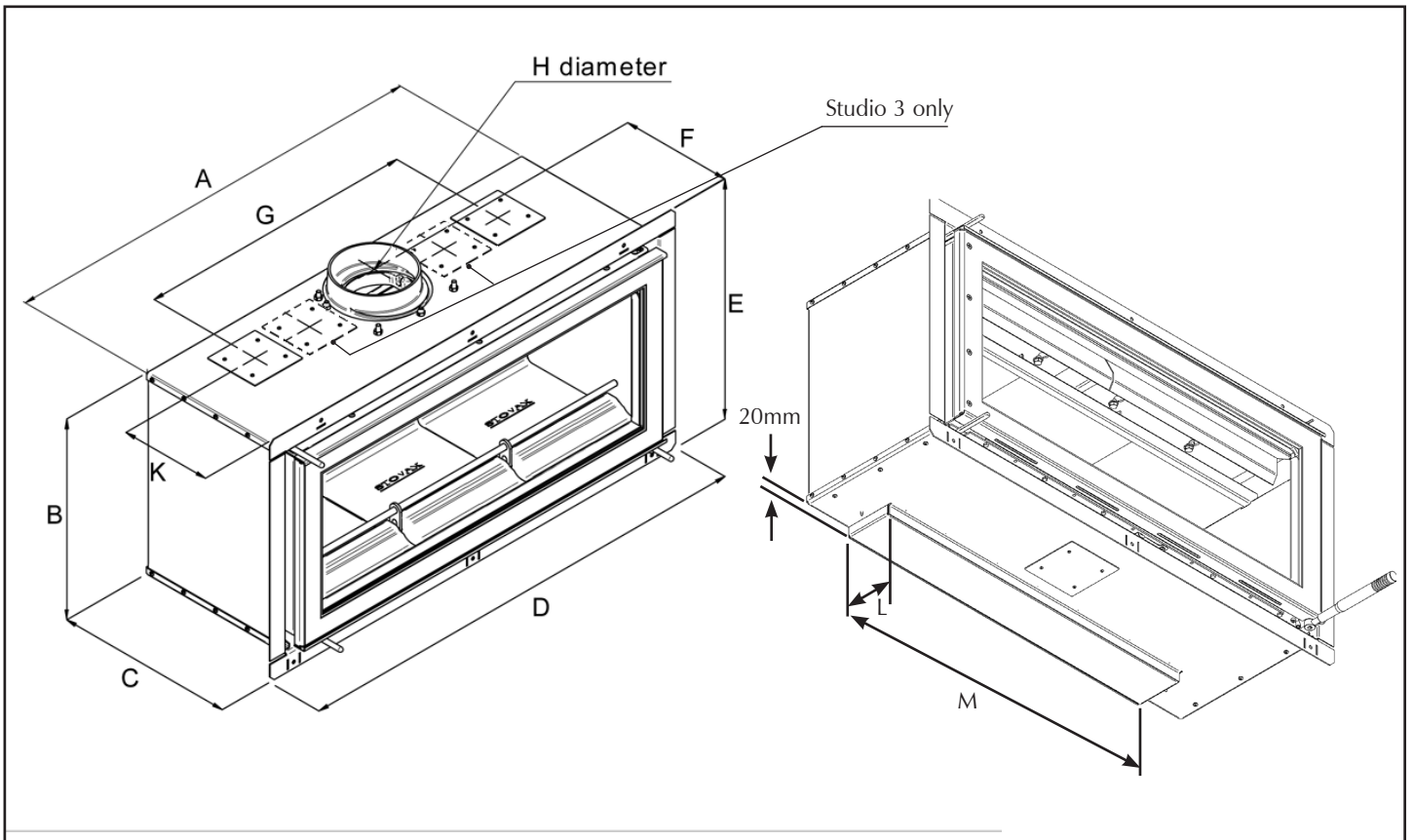
- Primary air (under brick through front and rear holes)
- Airwash (for wood burning/clean glass)
- Factory set secondary air (to ensure complete burning of flue gases)
- Removable door handle
- Interchangeable Trim/Frame options
- Optional Convection Air Ducts kit
- Optional Fan Convection Kit
- Optional Outside Air Kit
- Optional 10° flue collar
- TCC Combustion lining

### PACKING LIST

- User and Installation instructions
- Guarantee card
- Pair leather gloves
- Door Tool
- Door Hex Tool Adjustment Studio 1 & 2

# SITE REQUIREMENTS

## RIVA STUDIO DIMENSIONS



Description	Model	A	B	C	D	E	F	G	H	K	L	M
Riva Studio 1	RVS1	745	415	350	821	497	246	480	153 (6")	240	96	592
Riva Studio 2	RVS2	950	440	350	1019	522	246	610	153 (6")	240	105	735
Riva Studio 3	RVS3	1332	450	393	1406	532	291	610 1010*	153 (6")	275	105	735

All dimensions in mm. (25.4 mm = 1")

\* Studio 1 & 2 models have 2 air duct outlets, whilst Studio 3 models have 4

# SITE REQUIREMENTS

## 1. FLUE OR CHIMNEY

- 1.1 The flue or chimney system must be in good condition. It must be inspected by a competent person and passed for use with the appliance before installation

**Products of combustion entering the room can cause serious health risks.**

- 1.2 You must check the following:

- The construction of the masonry chimneys, flue block chimneys and connecting flue pipe system must meet the requirements of the Building Regulations†
- A flexible flue liner system certified for use with solid fuel systems and installed to manufacturer's instructions and Building Regulations should be used. The flue liner must be replaced when an appliance is replaced unless proven to be recently installed and in good condition.
- If it is necessary to fit a register plate it must conform to the Building Regulations†
- The minimum height of the flue or chimney must be 4.5m from the hearth to the top of the flue, with no horizontal sections, a maximum of 4 bends with angles of less than 45 degrees
- Ensure the connecting flue pipe is kept a suitable distance from any combustible material and does not form part of the supporting structure of the building
- Make provision to remove the appliance without the need to dismantle the chimney
- Any existing flue must be confirmed as suitable for the new intended use as defined in the Building Regulations.†
- The flue or chimney systems must be inspected and swept to confirm the system is structurally sound and free from obstructions\*\*
- If the appliance is believed to have previously served an open fire the chimney must be swept a second time within a month of regular use after installation to clear any soots falls that may occurred due to difference in combustion levels.
- The flue exit from the building must comply with local building control rules.†
- Do not connect or share the flue or chimney system with another heating appliance

- 1.3 Do not connect to systems containing large voids.

- 1.4 You must provide suitable access to enable the collection and removal of debris.

- 1.5 You must sweep and inspect the flue when the appliance is installed.

- 1.6 You must check the flue draught with all windows and doors closed and any extraction fans in this or adjoining rooms running at maximum speed. (See next section for additional ventilation requirements)

**Max. Draught = 2.0mm Wg**

**Min. Draught = 1.0mm Wg**

### In the U.K.

\*The design of the flue and chimney systems and products used should meet the requirements of ADJ along with any other relevant, National or European standards that may apply. Products should be specified with regard to the type of appliance, position within the building, fuels to be used and appliance operating temperatures.

\*\*This should be done by a HETAS Approved Chimney Sweep (UK only) see page 22 / INFO registered (Republic of Ireland only) who will issue you with a certificate.

† Building Regulations Document J

### Flue Plate:

Where a hearth, fireplace, flue or chimney is provided or extended (including cases where a flue is provided as part of refurbishment work) information essential to the correct appliance and use of these should be permanently posted in the building, to meet Requirement J4 of the Building Regulations (England and Wales) F3.12 (Scotland).

### Additional:

A new factory made system that complies to EN 1856; Part 1 can be used providing installation is to the requirements of:

- i) BS 7566 Parts 1 - 4
- ii) the manufacturer's instructions
- iii) Building Regulations.

### For a guide containing information on Chimneys and Flues contact:

The British Flue & Chimney Manufacturers' Association  
FETA  
2 Waltham Court  
Milley Lane  
Hare Hatch  
Reading  
Berkshire RG10 9TH

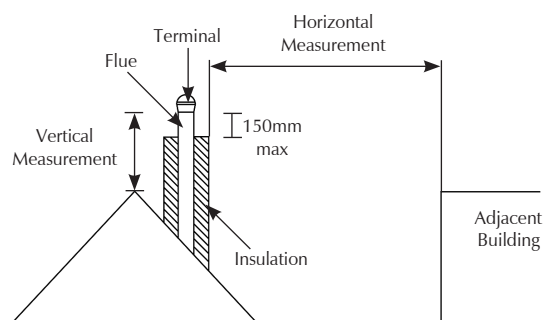
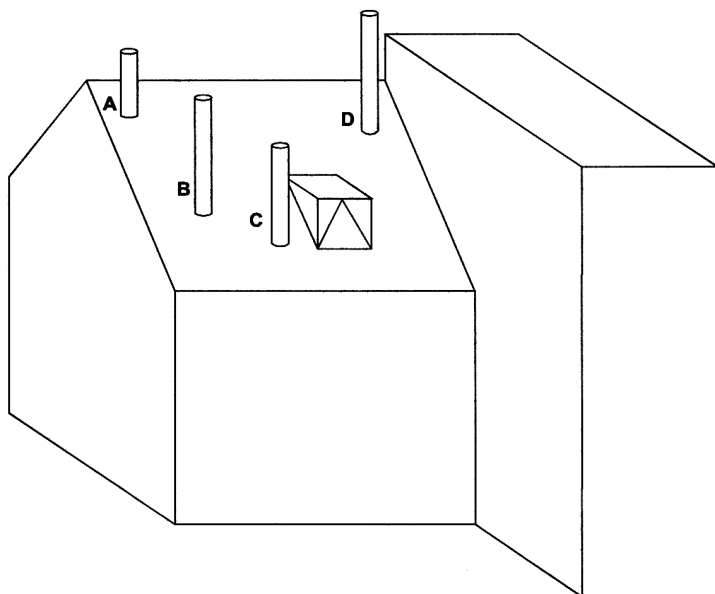
Tel: 0118 9403416

e-mail: info@feta.co.uk



# SITE REQUIREMENTS

## 1. FLUE OUTLET POSITIONS

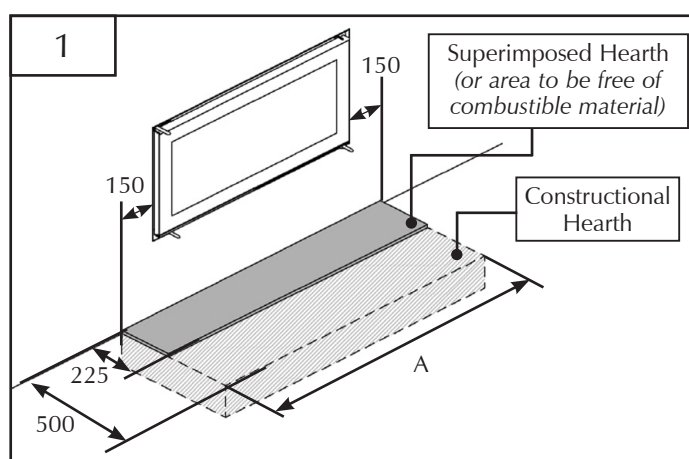


The vertical measurement is the lowest from either the point of discharge or 150mm above insulation.

**IMPORTANT:** Seek specialist advice if installing in a dwelling with a thatched roof

	Position On Roof	Minimum Clearances
<b>A</b>	On ridge or within 600mm	600mm above ridge
<b>B</b>	Elsewhere on roof	2300mm horizontally from roof surface and: a) 1000mm above highest point of flue exit from roof or b) as high as the ridge
<b>C</b>	On pitched, within 2300mm horizontally to openable window, dormer	1000mm above top of opening
<b>D</b>	Within 2300mm of another building	600mm above top of building

## 2. MINIMUM DIMENSIONS - HEARTH



Dimension	A
<b>Riva Studio 1</b>	1050
<b>Riva Studio 2</b>	1250
<b>Riva Studio 3</b>	1650

- 2.1 The appliance must stand on a non-combustible constructional hearth which is at least 125mm thick with the minimum dimensions as shown in diagram. As this appliance can be installed in an elevated setting it is recommended to increase the 225mm hearth depth to safely contain any falling logs or embers. The higher the appliance is installed the deeper the hearth should be to avoid scratched floor coverings.
- 2.3 The building must have a suitable load-bearing capacity for the hearth and appliance. Consult a structural engineer for advice before proceeding.
- 2.4 When fitting into an existing hearth check that the appliance complies with current construction regulations and is at least the minimum sizes shown.
- 2.5 If there is no existing fireplace or chimney it is possible to construct a suitable non-combustible housing and hearth setting. The flue must be installed in accordance with all local and national regulations and current rules in force.

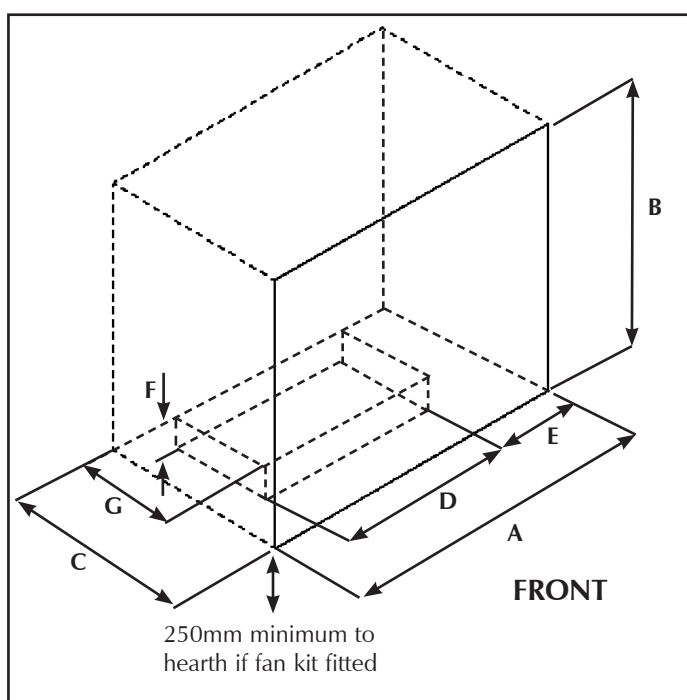
Check if adding a new chimney to your property requires planning permission.

# SITE REQUIREMENTS

## 3. MINIMUM BUILDERS OPENING

The Stovax Studio models differ from Gas burning models and the clearance to combustible materials is greatly different due to the higher temperatures that the appliance can reach. Extra care must be taken when creating a builders opening. Pay careful attention to the distance to combustible materials recommended and ensure the housing for the appliance is built from non-combustible material.

To make installation easier make the opening slightly larger than the minimum requirements where possible.



Dimension	A	B	C	D	E	F	G
Riva Studio 1	755	435	355	605	75	25	100
Riva Studio 2	960	460	355	750	105	25	115
Riva Studio 3	1342	470	465	750	296	25	115

## 4. BUILDERS OPENING

Many fireplace openings have a supporting lintel. Remove the covering plaster to identify its position before starting any constructive work. Do not remove constructional lintels without making provision to support the remaining structure of the building. The appliance must not form any part of the supporting structure.

- 4.1 The chimney/flue must have a sealed connection to the appliance flue spigot.
- 4.2 The structure of the builders opening will reach high temperatures. Use insulating blockwork to reduce the heat transfer to the external walls.
- 4.3 Take care when finishing the chimney breast and surrounding area. The conducted and convected heat emitted by the appliance could be high enough to crack normal plaster. Use a high temperature plaster, or face the area with a suitable high temperature plasterboard avoiding any joints above the appliance. New plaster should be fully dried before the appliance is used, or cracking could occur.

If you are in any doubt about your ability to produce a safe opening contact your Stovax dealer for professional advice.\*

## 5. FIRE SURROUND CLEARANCES

If the appliance is to be fitted with a fire surround, use the **minimum** clearances, see Diagram 12, between any point of the appliance and any combustible material. Stovax produce a selection of surrounds and details can be obtained from your local supplier.

- 5.1 We recommend you obtain expert advice before proceeding with work of this nature.
- 5.2 Some finishes may discolour with heat and some lower quality products may distort, or crack, when in use.

**If stone / granite / marble or any other natural material is used to construct the fire surround, or any part of it, provision should be made for expansion and movement of the parts due to heating and cooling.**

**If you are in any doubt about the installation requirements, or suitability of fire surrounds contact your Stovax dealer.**

- 5.3 All fire surrounds should be suitable for use with solid fuel heating products.

\* In the U.K  
Additional information covering the installation the appliance BS6999, BS8303.

# PRE-INSTALLATION CHECKS

## 1. FLUES

<b>Model</b> Riva Studio 1 - Model: RVS-1 Riva Studio 2 - Model: RVS-2 Riva Studio 3 - Model: RVS-3			Riva Studio 1	Riva Studio 2	Riva Studio 3
Flue/Chimney Size	With Liner or Factory made system (diameter) installed in accordance with manufacturers instructions	mm	150	150	150
		inch	6	6	6
Flue/Chimney (*minimum height)	All products	m	4.5	4.5	4.5
		feet	13	13	13

\* When measured from the top of the appliance to the top of the flue, with no horizontal sections and a maximum of 4 bends with angles of less than 45°

## 2. ADDITIONAL VENTILATION

2.1 Additional ventilation is required to comply with the requirements of the Building Regulations. This must be provided using a permanently open air vent, of the size listed, which is positioned so that it is not liable to be blocked both inside and outside the building.

2.2 Extractor fans or cooker hoods must not be placed in the same room or space as this can cause the appliance to emit fumes into the room.

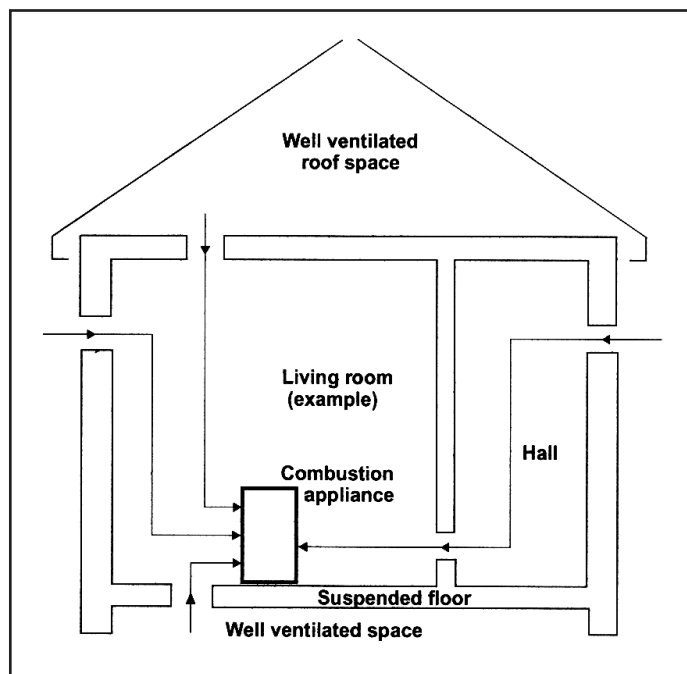
2.3 **If any of these checks reveal problems do not proceed with the fitting of the appliance until they have been rectified.**

<b>Model</b> Riva Studio 1 - Model: RVS-1 Riva Studio 2 - Model: RVS-2 Riva Studio 3 - Model: RVS-3			Riva Studio 1	Riva Studio 2	Riva Studio 3
Additional Ventilation	mm <sup>2</sup>	N/A	1650	3300	
	cm <sup>2</sup>	N/A	16.5	33.0	
	in <sup>2</sup>	N/A	2.6	5.12	

# PRE-INSTALLATION CHECKS

## 3. VENTILATION

- 3.1 This appliance requires ventilation to supply combustion air. Any room containing the appliance must have a permanent air vent opening with a total free area of at least 550mm<sup>2</sup> per kW of appliance rated output above 5kW.
- 3.2 Increase air supply provisions where a room contains multiple appliances.
- 3.3 If vents open into adjoining rooms or spaces there must be an air vent of at least the same size direct to the outside.
- 3.4 Permanent air vents should be non-adjustable and positioned where they are unlikely to become blocked.
- 3.5 Site the vents where cold draught is unlikely to cause discomfort. This can be avoided by placing vents near ceilings or close to the appliance, see Diagram below.
- 3.6 If the fire has a nominal output not exceeding 5.0 kW and therefore does not normally require any additional permanent ventilation. However, if spillage is detected when commissioning the fire, there may be insufficient natural ventilation and additional ventilation may be required.



## 4. WARM AIR DUCTING KIT

- 4.1 This appliance can be fitted with an optional Warm Air Ducting kit to help circulate warm air to other room in the house. This operation may require additional ventilation in order to comply with building regulations and a qualified installer should be consulted before fitting. The Ducting kit must be fitted at the time of installation. For installation and operating procedures you must refer to the instructions supplied with the Warm Air Ducting kit - Stovax Part No PM509.

## 5. OUTSIDE AIR KIT

- 5.1 This appliance can be fitted with an optional kit to help bring air directly into the appliance from outside. For installation and operating procedures you must refer to the instructions supplied with the Outside Air kit - Stovax Part No PM361.

# INSTALLATION INSTRUCTIONS

## LEGAL REQUIREMENTS

**Before installation and/or use of this appliance please read these instructions carefully to ensure that all requirements are fully understood.**

**The appliance must be fitted by a registered installer\*, or approved by your local building control officer.**

It is very important to understand the requirements of the national Building Regulations† and standards‡, along with any local regulations and working practices that may apply. Should any conflict occur between these instructions and these regulations then the regulations must apply.

Your local Building Control Office can advise regarding the requirements of the regulations.

The appliance must be fitted by a registered installer\* or approved by your local building control officer.

Works must be carried out with care to meet the requirements of Health and Safety‡ and comply with the Health and Safety rules\*\*, and any new regulations introduced during the lifetime of these instructions. Particular attention should be drawn to:

- **Handling:** The appliance is heavy. Adequate facilities must be available for loading, unloading and on site handling.
- **Fire Cement:** Some fire cement is caustic and must not come into contact with the skin. Protective gloves must be worn. Wash hands thoroughly with plenty of water after contact with skin.
- **Asbestos:** This appliance contains no asbestos. If there is the possibility of disturbing any asbestos in the course of installation seek specialist guidance and use appropriate equipment.
- **Metal Parts:** Take care when installing or servicing the stove to avoid personal injury.

**A faulty installation can cause danger to the inhabitants and structure of the building.**

### For users of this appliance:

Your building insurance company may require you to inform them that a new heating appliance has been installed on your property. Check that your cover is still valid after installing the appliance.

## 1. INSTALLING THE APPLIANCE

Each installation is unique to the property so it is not possible to give details to suit every setting. The installation must comply with Building Regulations and be made using "best practice" construction methods.

Many fireplace openings have a supporting lintel. Do not remove without supporting the remaining structure of the building. **Do not support the structure with the appliance or the flue system.**

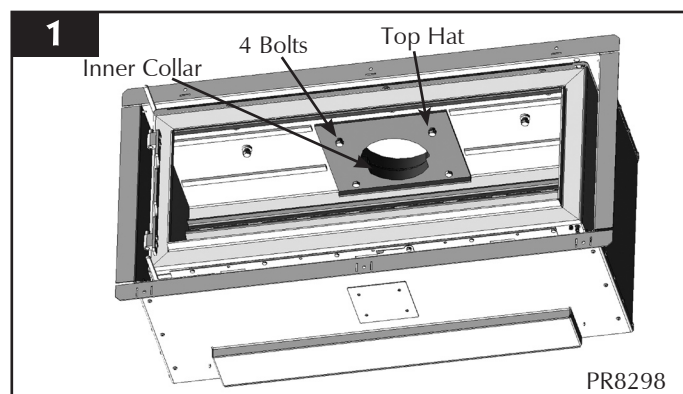
## SEPARATE THE INNER AND OUTER BOX

To protect the delicate parts of the appliance the product has been designed so that the inner box can be removed from the outer box.

Keep the inner box in a safe place whilst the outer box is installed into the fabric of the house, the main flue connections made and the walls finished.

When all the heavy work is complete the inner box can be re-installed into the outer box and the final connection made.

- 1.1 **Take care when installing the appliance. Careless handling and use of tools can damage the finish and/or area.**
- 1.2 The internal components, bricks, baffles and the door etc should be removed to make the installation process easier and prevent damage. See Installation Section 7 - 11.
- 1.3 First remove the inner collar, Diagram 1



- 1.4 Using a 13 A/F spanner:

- Remove the 4 bolts (Note the position of the 2 off front Top Hat spacers)
  - Remove the inner collar
- The inner box slides out of the outer box.  
**This will require two people.**

In the U.K: \* England and Wales – Document J / Scotland - Part F/Document J (Republic of Ireland only)

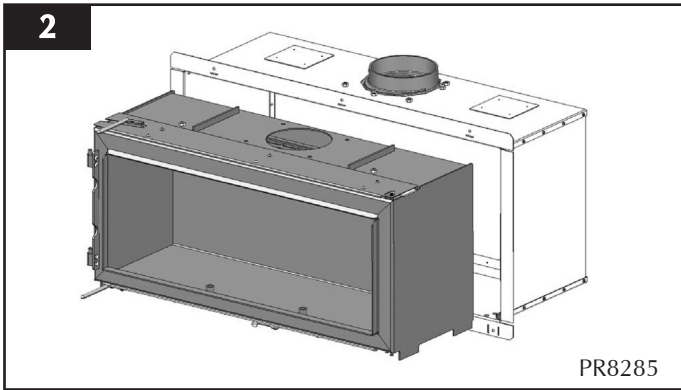
\*\* BS 8303, BS 6461, BS 7566

† Registered body: HETAS (GB only)/INFO (Eire)

‡ Health and Safety at Work Act 1974

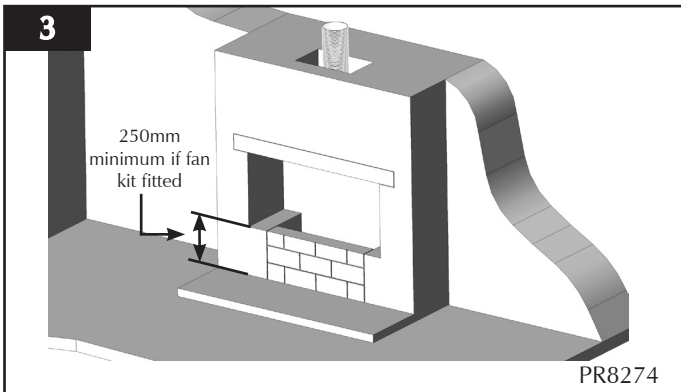


# INSTALLATION INSTRUCTIONS



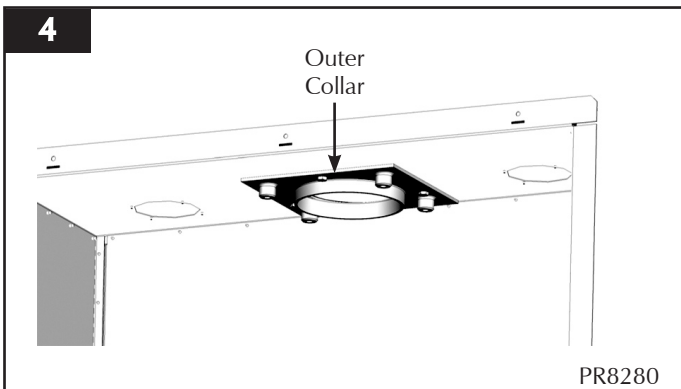
## FITTING TO A MASONRY CHIMNEY

Many fireplace openings have a supporting lintel. Do not remove without supporting the remaining structure of the building. **Do not support the structure with the appliance or the flue system.**



For opening sizes see *Site Requirements, Section 3*

### 1.5 Removal Of Outer Collar

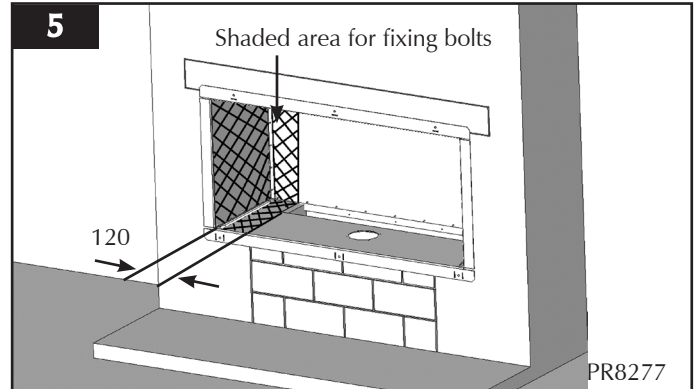


- Using a 13 A/F Spanner remove the 3 bolts and remove outer collar
  - Fit frame fixing brackets or Edge/Cool Wall frame as required
- See frame instructions for individual fixing methods.

The outer box can be slid into the chimney opening and fitted.

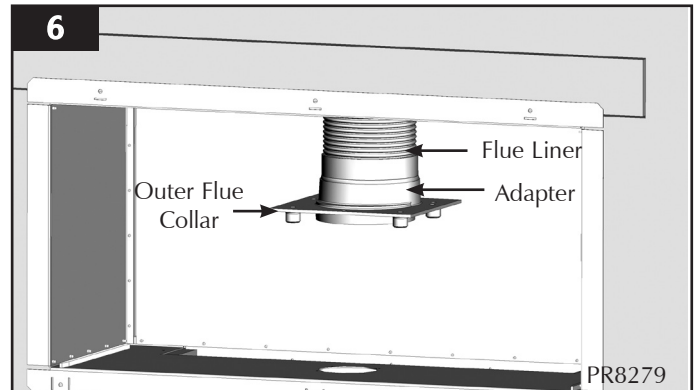
The shaded area, Diagram 5, is to be used for fixing the M6/M8 rawl bolts. At least 2 bolts must be used in the side and 2 bolts in the base or the back to suit installation.

This appliance **MUST** be securely fixed in position to support the door when opened.



### 1.6 Flue Assembly

The flue liner can be lowered through the outer box and connected using a suitable adaptor, fire cement and fasteners to the outer flue collar, Diagram 6



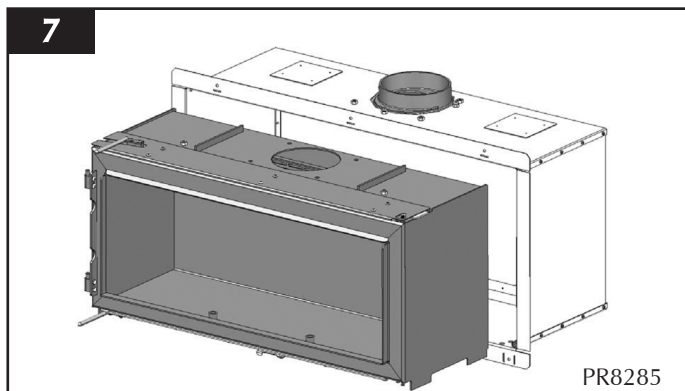
The liner and collar can then be raised in position and the 3 bolts fitted, Diagram 4.

**The flue liner must be supported in accordance with the manufacturers instructions, not by the Outer box.**

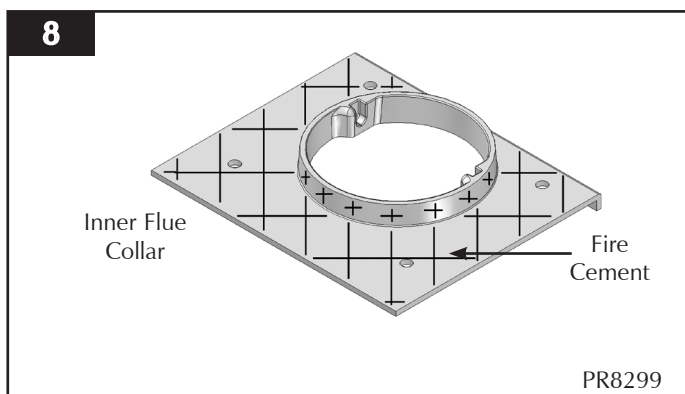
### 1.7 Inserting the inner box

- Slide the inner box into the outer box
- This will require 2 people, Diagram 7**

# INSTALLATION INSTRUCTIONS



- Apply fire cement in to the faces shown prior to fitting the inner collar, Diagram 8

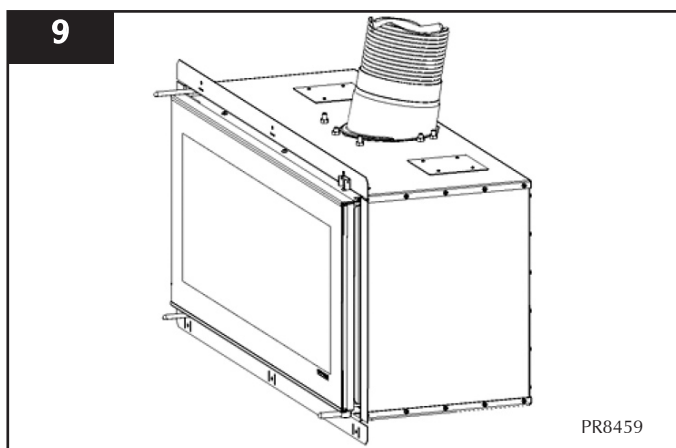


- Fit the inner flue collar (the reverse of 1.4) Note the top hat spacer on the front bolts.
- Replace the internal components (baffles, bricks, door etc), see relevant Installation sections

## Alternative flue outlet collar

This appliance can be fitted with an angled outer flue collar. This will give extra clearance by locating the flue liner towards the back of the box.

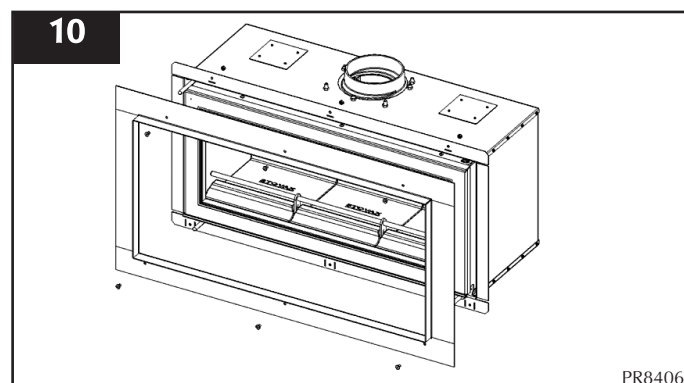
It is available as an optional extra and should be fitted before installation instead of the straight outer collar, see Installation Instructions Section 6



## 2. FRAME KITS

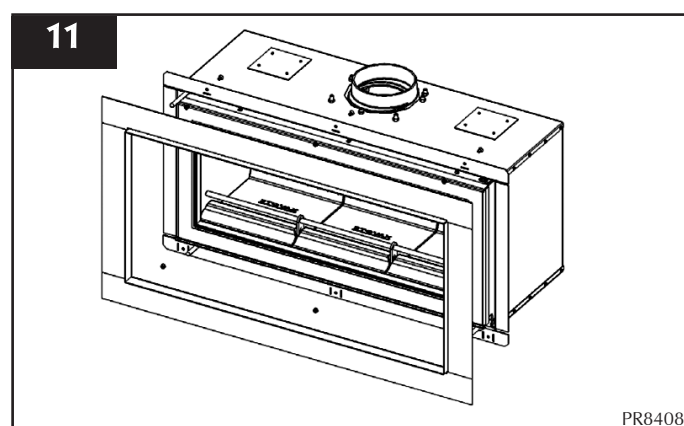
### Studio Edge

#### Frameless Edge



- 2.1 To fit the frame:
- Position on appliance and secure as detailed in the frame fitting instructions (PM378)

#### Frameless Edge 'Cool Wall'



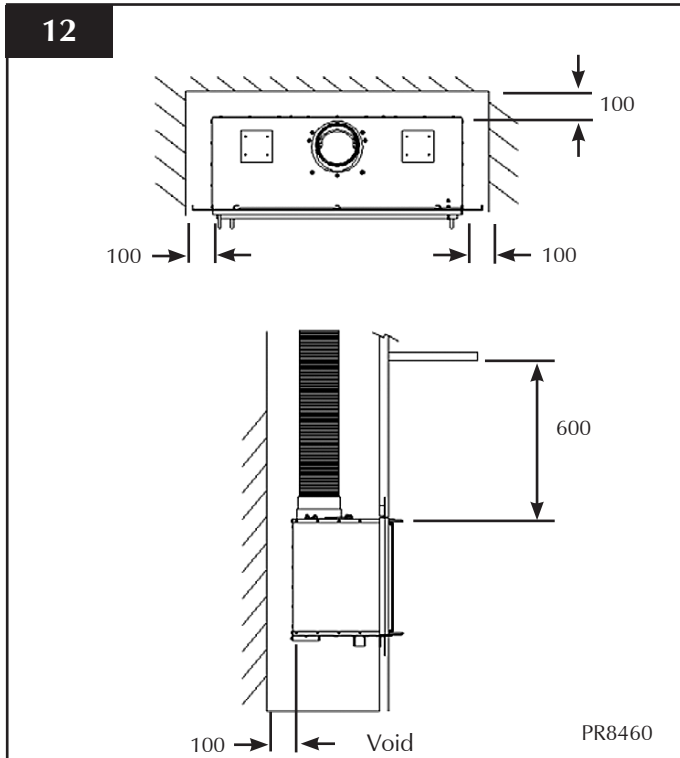
- 2.2 To fit the frame:
- Position on appliance and secure as detailed in the frame fitting instructions (PM378)

# INSTALLATION INSTRUCTIONS

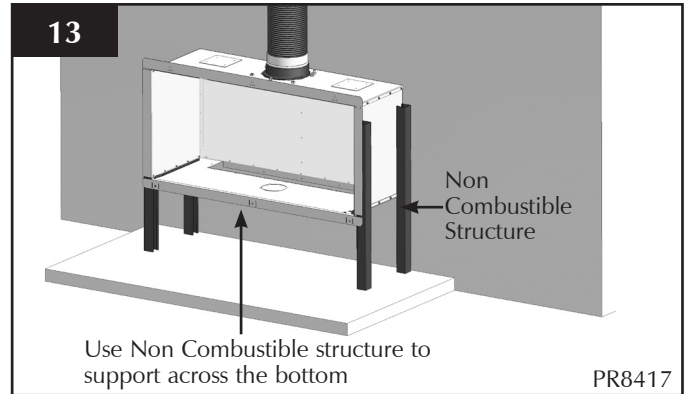
## 3. STUDWORK INSTALLATION

### 3.1 DISTANCE TO COMBUSTIBLE MATERIAL

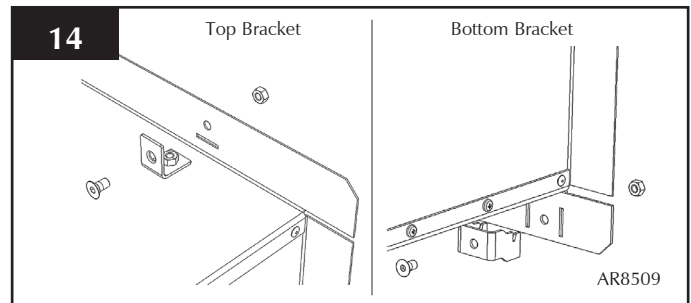
ALL PARTS OF THE STUDWORK MUST BE NON COMBUSTIBLE - FOR EXAMPLE METAL STUDDING. DO NOT USE COMBUSTIBLE MATERIAL WITHIN THE DIMENSIONS BELOW.



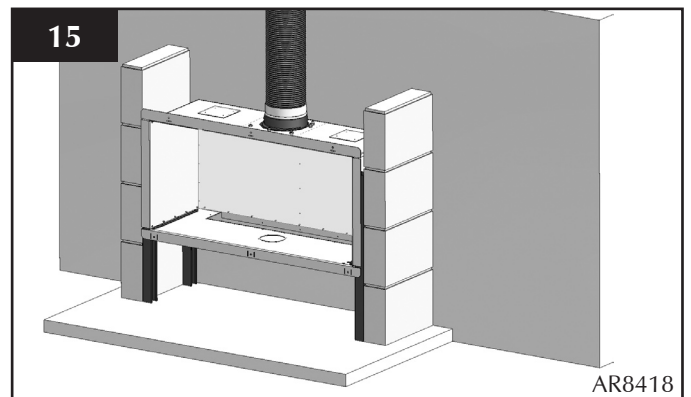
- 3.2 Do not pack the void around or above the appliance with insulation materials such as mineral wool or vermiculite.
- 3.3 The void built for the cassette must be ventilated to prevent a build up of heat. If the void is sealed then you must fit vents at both low and high levels of approximately 50cm<sup>2</sup> each. These vents must take cold air from the room and return warm air back into the room.
- 3.4 An access hatch must be left in the side of the chimney breast for future servicing and inspection of the flue and appliance.
- 3.5 Support the outer box using metal framework (I.e. Unistrut) construction secured to the non combustible floor/wall, Diagram 13. See Diagram 5 for the drilling positions in the outer box.



- 3.6 Attach the Studio frame fixing brackets to the fire, Diagram 14
- See the frame fitting instruction for the individual fixing methods
- Not required if Edge or Cool Wall frames are fitted.



- 4.1 Build a chimney breast around the outer box using 100mm wide Thermolite blocks, Diagram 15



- Ensure the clearances to combustibles are maintained, see Diagram 12
- Fit non-combustible board to the brickwork around the outer box behind the flange to a height of at least 600mm above the opening.
- Apply a heat resistant plaster finish to at least 600mm above and to the sides of the chimney breast

**Note: If a slip is used, this needs to be positioned behind the flange. Never use a one-piece slip as expansion (even cracking) can occur.**

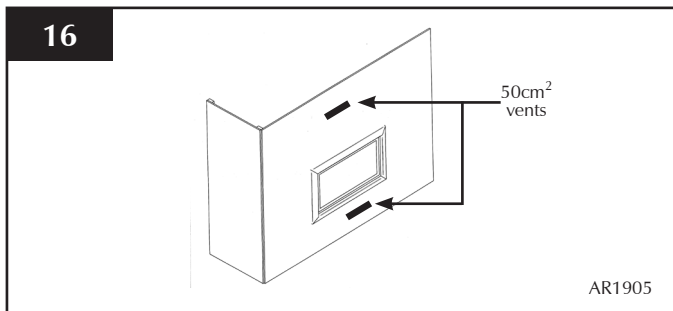
# INSTALLATION INSTRUCTIONS

To finish this installation:

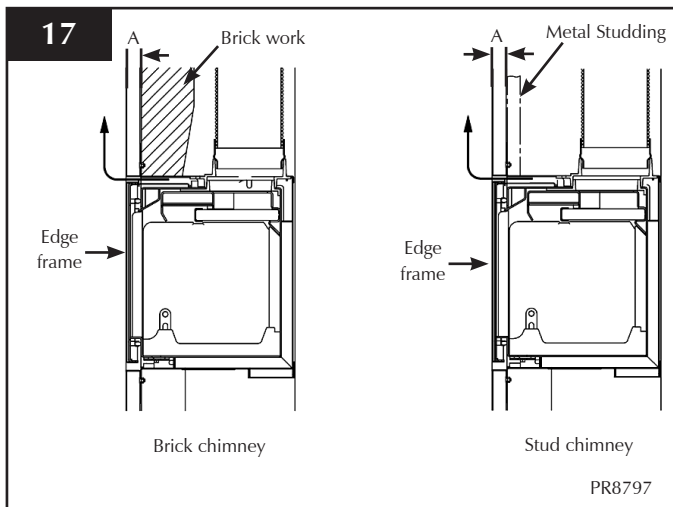
- Connect:
  - the flue system (see **Installation, 1.6 Flue Assembly**)
  - and electrical services (for fan installation - optional) using the opening in the side of the chimney breast for access.
  - The Outside Air Kit (optional)
  - Convection Ducting Kit (optional)

After commissioning:

- Finish the sides of the chimney breast, Diagram 16
- Re-install the inner box



## 5. STUDWORK FOR STUDIO EDGE INSTALLATION KIT



	A (mm)
Studio 1 & 2	34
Studio 3	44.5

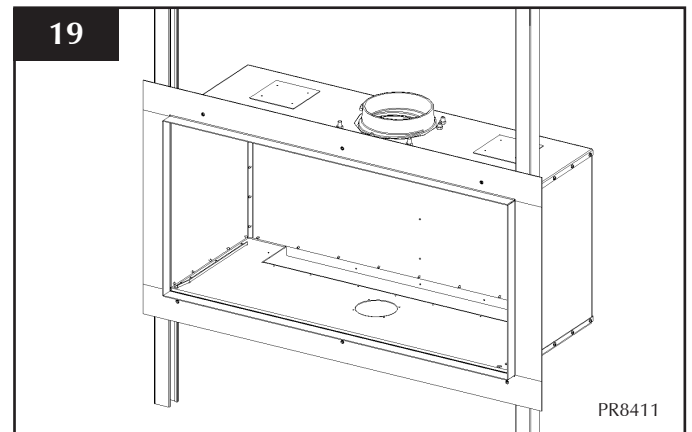
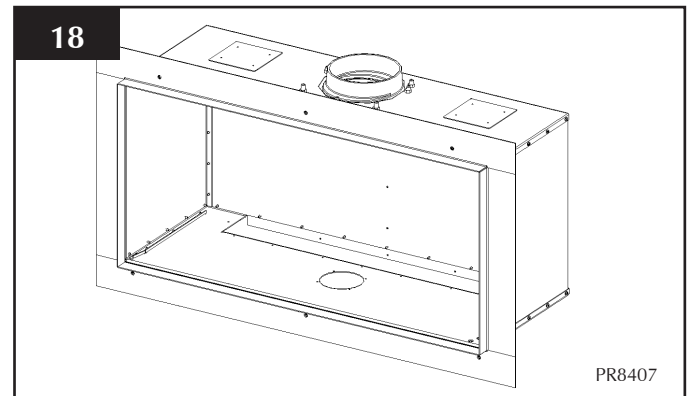
There is an optional Studio Edge Installation Kit available for installing the fire without a frame: Studio 1 Code No. RVS-1FEK, Studio 2 Code No. RVS-2FEK, Studio 3 Code No. RVS-3FEK.

- Allow for the connection of the following:
  - Electrical services (for fan installation) using the opening in the side of the chimney breast for access.
  - The Outside Air Kit (optional)
  - Convection Ducting Kit (optional)
  - The flue system (see **Installation, 1.6 Flue Assembly**)

Using the installation kit:

- Fit the frame of the kit to the fire, Diagram 10 & 17 and instructions supplied with the frame kit

The Edge installation kit is provided unfinished. This allows the kit to be finished to match the front face decor.



Build the studwork or brick masonry chimney breast to support the cassette, see Section 13 & 18:

- Ensure all clearances to combustible material are maintained, Diagram 12
- To prevent cracking ensure no joints above the appliance.

- Fit non combustible board to studwork/frame/masonry and leave enough room for the final skim of heat resistant plaster.

### Standard plasterboard is not suitable

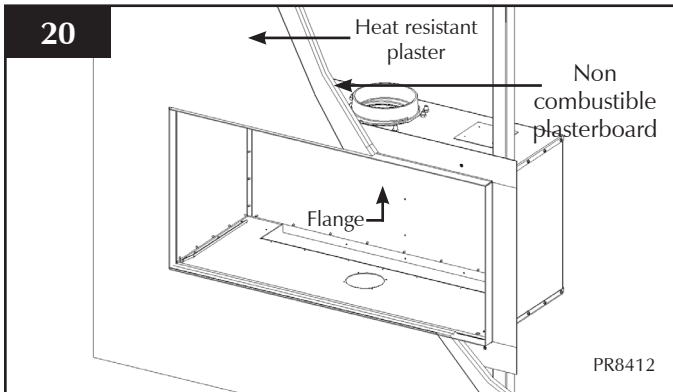
- This should extend a minimum of 400mm to the sides and above the appliance. To prevent cracking ensure there are no joints above the appliance.

- Apply a heat resistant plaster finish to at least 600mm above and to the sides of the chimney breast, making sure it is not too thin or it will crack, Diagram 20

To finish this installation:

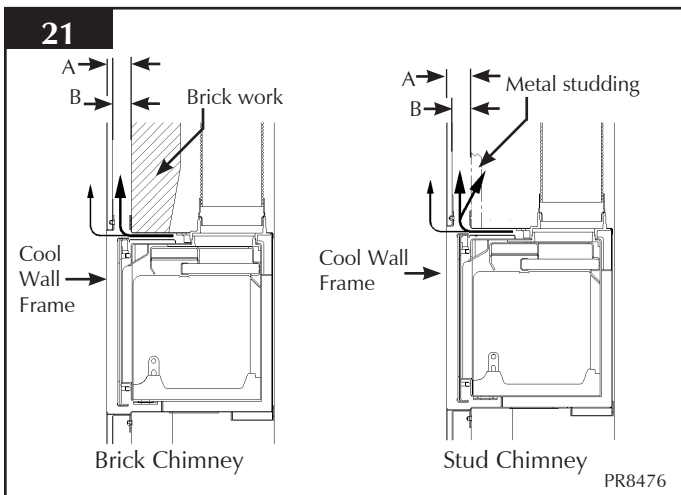
- Re-install the inner box

# INSTALLATION INSTRUCTIONS



## 6. STUDWORK FOR COOL WALL INSTALLATION KIT

For this cool-wall installation, the convected heat of the fire is channelled into the chimney cavity and vented at the top.



	A (mm)	B (mm)
Studio 1 & 2	59	43
Studio 3	70	54

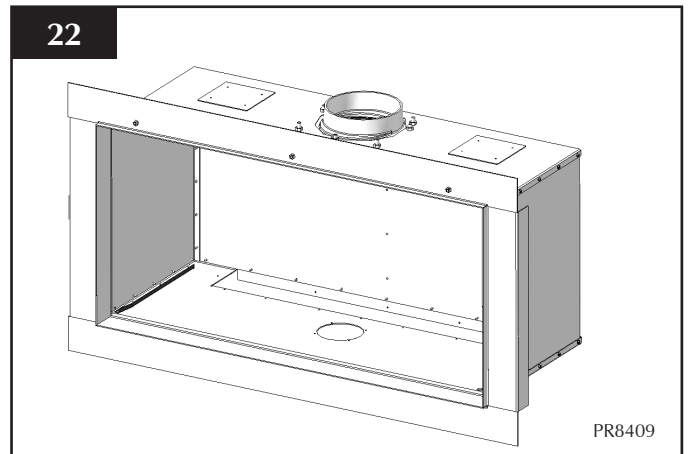
There is an optional Studio Cool Wall Installation Kit available for installing the fire without a frame:  
 Studio 1 Code No. RVS-1FCWK, Studio 2 Code No. RVS-2FCWK,  
 Studio 3 Code No. RVS-3FCWK.

- Allow for the connection of the following:
  - Electrical services (for fan installation) using the opening in the side of the chimney breast for access.
  - The Outside Air Kit (optional)
  - Convection Ducting Kit (optional)
  - The flue system (see **Installation, 1.6 Flue Assembly**)

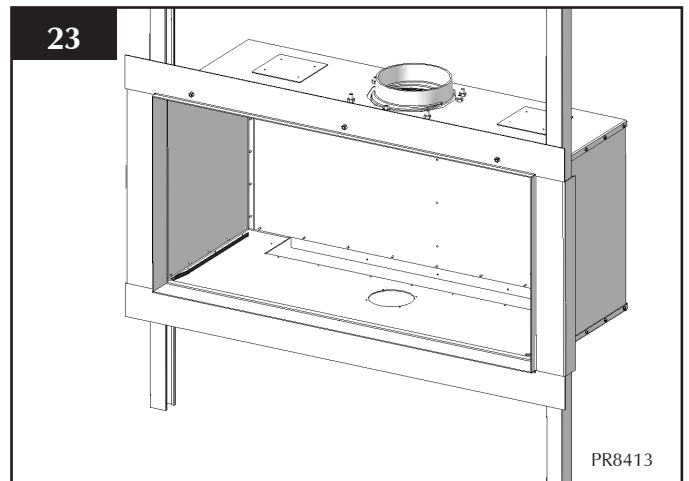
Using the fixing kit:

- Fit the frame of the kit to the fire, Diagram 21 (& 11 and the instructions supplied with the frame). There is a gap at the top for convected heat to pass behind the finished wall.

The Cool Wall installation kit is provided unfinished. This allows the kit to be finished to match the front face decor.

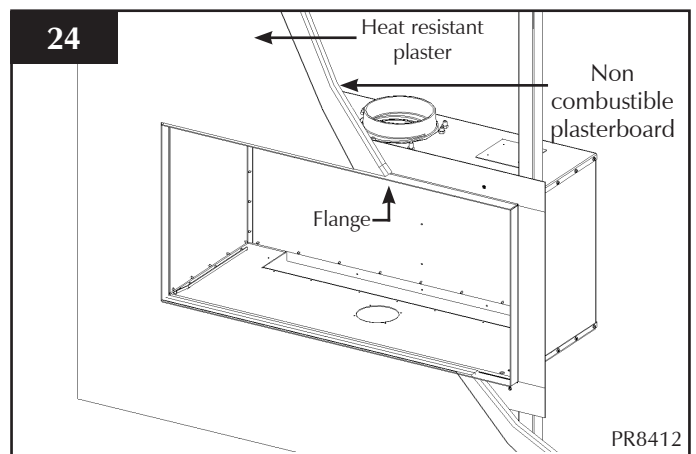


Support the cassette, Diagram 23 & 13  
 This now determines the width of your two vertical studwork supports. The kit has been designed so that non-combustible board can be taken right up to the edge of the frame, Diagram 23 & 24.



Build the studwork or brick masonry chimney breast to support the cassette, Diagram 23:

- Ensure all clearances to combustible material are maintained, Diagram 12





# INSTALLATION INSTRUCTIONS

- Fit non-combustible board to the studwork above the fire. Leave enough room for a final skim of plaster.

## Standard plasterboard is not suitable

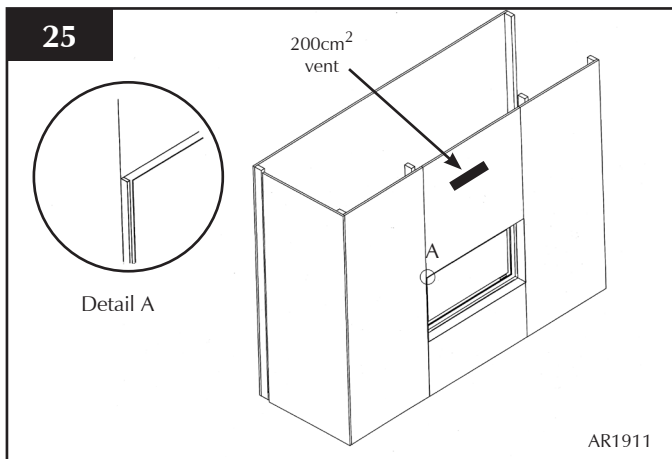
This should extend a minimum of 400mm to the sides of the appliance. To prevent cracking ensure there are no joints above the appliance. The top of the chimney breast must have a minimum 200cm<sup>2</sup> vent.

- Fit plasterboard to the remaining chimney breast front
- Connect the flue system and electrical services if fan is to be fitted using the opening in the side of the chimney breast for access.
- Apply a heat resistant plaster finish to at least 600mm above and to the sides of the chimney breast

To finish this installation:

- Re-install the inner box:

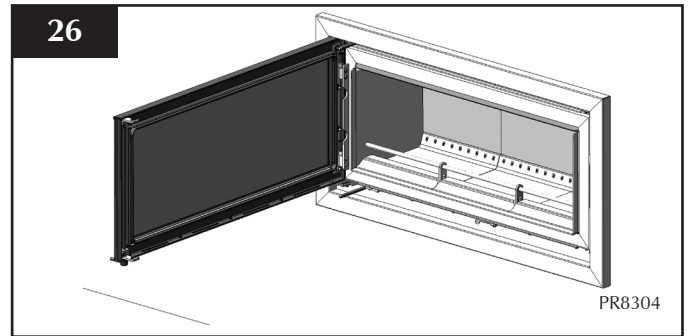
After commissioning, finish the sides of the chimney breast, Diagram 25.



## 7. REMOVAL OF THE DOOR

### Studio 1 & 2

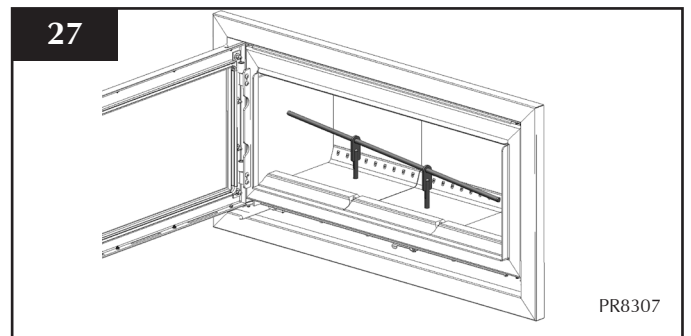
- 7.1 To remove the door:
- Open the door 90° approximately
  - Move the Airwash and Primary handles to the right
  - Lift the door vertically to remove and rotate 45° to remove
  - Reverse the procedure to fit the door



## 8. REMOVAL OF THE LOG GUARD

8.1 To remove the Log guard:

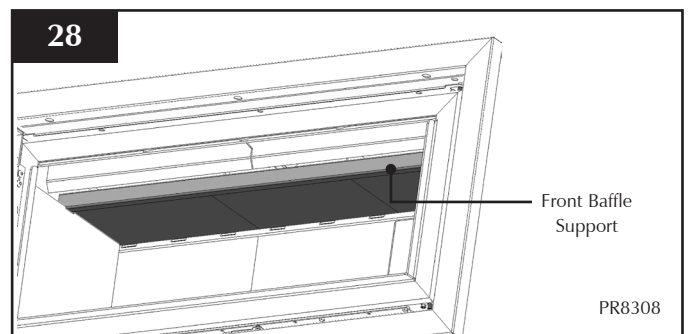
- Lift Log Guard clear of the supporting brackets
- Rotate to clear the sides of the door opening



**Do not use appliance without the log guard in position.**

## 9. REMOVAL OF THE LOWER Baffles

- 9.1 The appliance is fitted with 3 baffles in the top of the firebox to maintain efficient combustion.
- 9.2 Allow the appliance to cool fully before removing baffle system.
- 9.3 Remove the Log Guard from the appliance to give access to the firebox, see *Section 8*.



# INSTALLATION INSTRUCTIONS

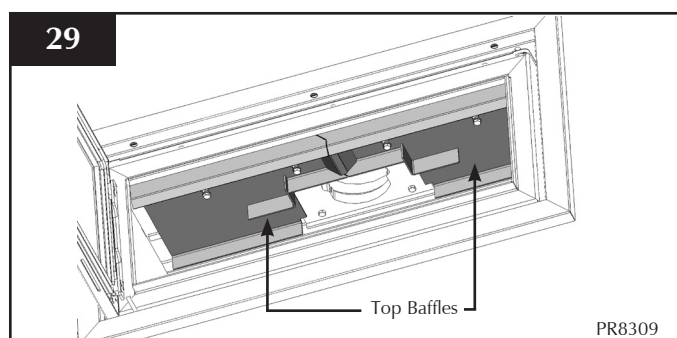
- 9.4 Pull front baffle support towards the front of the appliance and lift slightly.  
This can be pulled forward to the front of the appliance (resting on the side bricks) if you are removing the lower bricks only.
- 9.5 Pull the baffle bricks forward to remove.  
Follow these instructions in reverse order to fit the baffle.  
Replace damaged baffles immediately.

**Do not modify baffle bricks.**  
**Do not operate with baffle bricks removed.**

## 10. REMOVAL OF THE TOP BAFFLES

**Studio 1 has 1 baffle.**  
**Studio 2 has 2 baffles.**  
**Studio 3 has 3 baffles.**

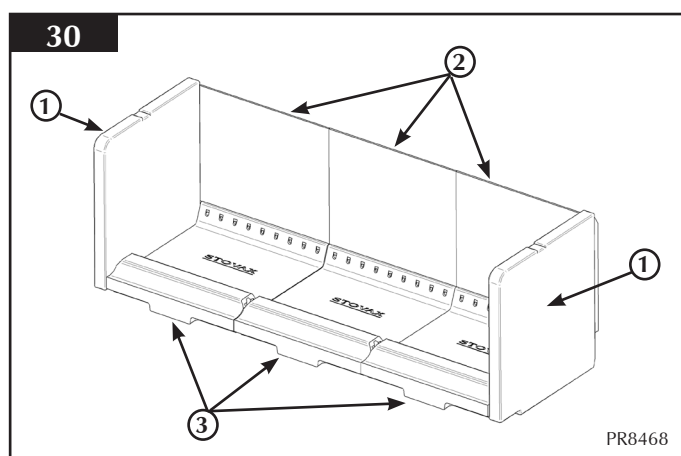
- Remove the lower Baffles, see Section 9



- 10.1 Remove the front baffle support by placing one end to the back of the appliance and the other end can now be lowered out of the firebox.
- 10.2 To remove the Upper baffle:
- Push the baffle backwards to disengage from the Top Hats spacers holding it in place  
The baffle will now drop down.
  - Remove through the door opening
- 10.3 Replace in reverse order
- 10.4 The baffle system is designed to give safe and efficient operation of the stove. Replace damaged baffles immediately.
- 10.5 **Do not modify the baffle system.**  
**Do not operate with the baffle bricks removed.**

## 11. REMOVAL OF THE FIRE BRICKS

- 11.1 Remove the fire bricks as part of the routine maintenance.  
This can be carried out without the use of tools.
- 11.2 Allow the appliance to cool fully before removing firebricks.
- 11.3 Take care when handling, as bricks can become fragile after use. Life span depends on the type of fuels burnt and the level of use.
- Replace damaged bricks as soon as possible
- 11.4 To remove bricks:
- Remove lower and top baffles - See Sections 9&10



- Lift side brick and tip/twist the top towards the middle of the appliance  
Carefully continue lifting and twisting the brick until it can be removed from the appliance.
  - Repeat both sides
- 11.5 Back bricks can now be slid apart and tipped forward to remove.
- 11.6 Base bricks can be lifted vertically and removed through the front of the appliance.
- 11.7 Replace in reverse order.

# COMMISSIONING

## COMMISSIONING

### 1.1 To commission:

- Replace the firebricks, baffle, and log retainer
- Check the door alignment and catch operation, adjust if required, see Installation Section 6. Adjusting Door hinges
- Check the soundness of door seals, castings and joints
- Check the operation of the air controls

### 1.2 Now carry out a final smoke draw test:

- First warming the flue with a blowlamp, or similar, for about 10 minutes
- Place a smoke pellet on the centre of the base bricks, with the air controls open
- Close the door  
Smoke should now be drawn up the flue and be seen to exit from the flue terminal
- Complete test with all doors and windows closed in the room where the appliance is fitted
- If there are any extractor fans in adjacent rooms, the test must be repeated with the fans running on maximum and interconnecting doors open
- Check the effect of ceiling fans during the test

If the test fails, re-check the suitability of the flue system and ventilation. **An inadequate air supply to the room is potentially dangerous.**

- Light the appliance and slowly increase the temperature to operating levels
- Ensure no combustion products enter the room
- Open the main fire door when the appliance reaches operating condition and carry out a spillage test with a smoke match or pellet around the door opening

### 1.3 If excessive spillage occurs:

- Allow the appliance to cool and re-check the flue system and ventilation

### 1.7 Finally:

- **Explain the safe operation of the appliance and the use of the controls to the user and the importance of only using suitable fuels**
- **All open flued appliances can be affected by temporary atmospheric conditions which may allow fumes to enter the house. Because of this it is recommended that an electronic carbon monoxide detector conforming to BSEN50291 be fitted and maintained.**

- **Explain the cleaning and routine maintenance requirements**

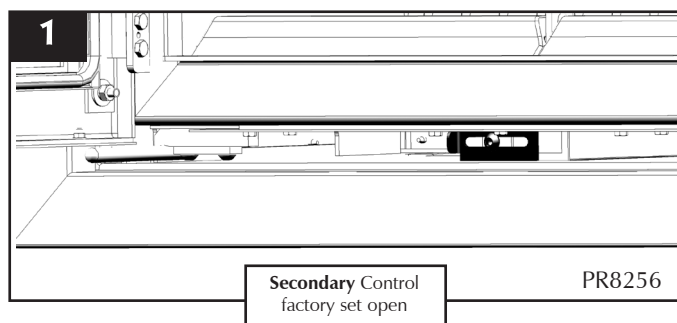
- **Explain the requirement to use a suitable fireguard when children, elderly or infirm persons are near the appliance**

- **Record dealer/supplier details and installer details in *Instructions***

- **Record serial number in page 3 of *Instructions***  
This number is required when ordering spare parts and making warranty claims

- **Give the copy of the *Instructions* to the customer**

## SECONDARY AIR INLET



# MAINTENANCE and SERVICING

For a complete list of spare parts and accessories contact your Stovax or call 01392 474011

## 1. ANNUAL SERVICE

- 1.1 Before the start of the heating season strip, inspect and clean the appliance as detailed:
- Allow appliance to cool.
  - Remove all internal parts: baffle, log guard and firebricks (see *Installation Instructions, Sections 3, 4, 5 & 6*). Take care handling firebricks as they can become fragile after a period of use.
  - Sweep the appliance at this point if necessary.
  - Vacuum clean any remaining ash and debris from the inside of the appliance. Stovax offer a filter/collection attachment for vacuum cleaners to protect them from fire ash: Ash Clean (Stovax Part No. 2091).
  - Check the parts for any damage. Replace any damaged parts using genuine Stovax replacements parts.
  - Check and clean the firebricks with a soft brush. Some surface damage will occur during use. The life of the bricks will depend on the type of fuels burnt and the level of use. **Replace damaged bricks as soon as possible.**
  - Re-fit cleaned internal parts.
  - Clean the door glass using Stovax Glass cleaner and a soft cloth.
- Do not use abrasive cleaners to remove tar or soot deposits from the glass.**
- Fit new door rope seal (see *Maintenance and Servicing, Section 6*).
  - Lightly oil the door catch mechanism and hinge pins. Avoid getting oil onto the door seals and glass.
  - To refresh painted finishes use Stovax Riva Midnight black paint.
- 1.2 Use genuine Stovax replacement parts to keep the appliance in safe, efficient working order. This is a list of the maintenance products that may need be required:

This is a list of the maintenance products you may need to use:

Task	Product name	Stovax Code Number
Preventing build-up of creosote in flue	Protector (15 sachets)	7002
	Protector (1kg tub)	7025
Sealing flue pipe joints	Fire Cement (500g tub)	2020
	Fire Cement (600g cartridge)	2021
Re-painting	Riva Midnight Black (150ml aerosol)	RVAC011
Protecting your hands	Heat resistant leather gloves	4008
Door sealing rope	14mm Black rope seal (handy pack)	5000
	14mm Black rope seal (25m reel)	4670H
Thermic seal glue	(50ml bottle)	5037
Ash Clean	Vacuum Cleaner Attachment	2091

These products, available from your local Stovax dealer, along with regular maintenance and use of correct fuels, will keep the appliance in the best possible condition.

- 1.3 For more information about the Stovax Group products please visit our web site at [www.stovax.com](http://www.stovax.com)
- 1.4 Burn at a low temperature for the first day of use after any maintenance. This allows the seals, fixing glues and paint to fully cure.
- 1.5 During this time the appliance may give off some unpleasant odours. Keep the room well ventilated to avoid a build-up of fumes.
- 1.6 Your Stovax dealer can carry out service and maintenance.

## 2. REMOVAL OF THE LOG GUARD

- 2.1 See Section 8 Fitting & Removal of Log Guard in Installation section.

## 3. FITTING AND REMOVAL OF BAFFLES

- 3.1 See Section 9 & 10 Fitting & Removal of Upper and Lower Baffles in Installation section.

# MAINTENANCE and SERVICING

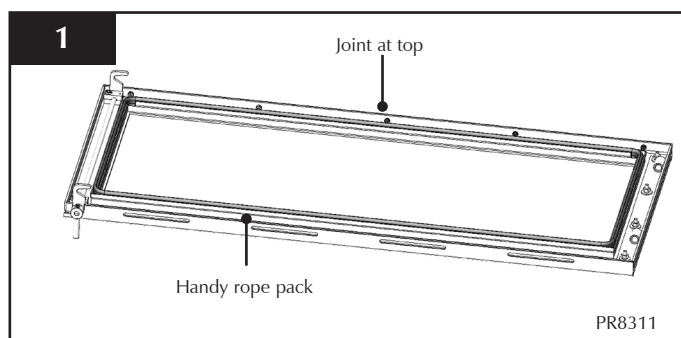
## 4. FITTING AND REMOVAL OF THE FIREBRICKS

- 4.1 See Section 11 Fitting & Removal of The Firebricks in Installation section.

## 5. FITTING A NEW DOOR GLASS ALL MODELS

- 5.1 To maintain the safe use of your appliance you may need to replace a damaged door glass. This should be done by a Stovax engineer.

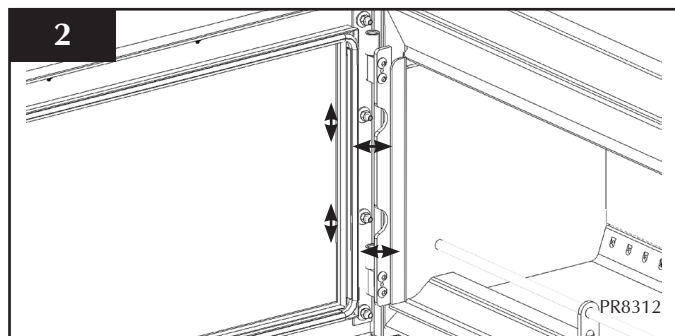
## 6. FITTING A NEW DOOR SEAL ALL MODELS



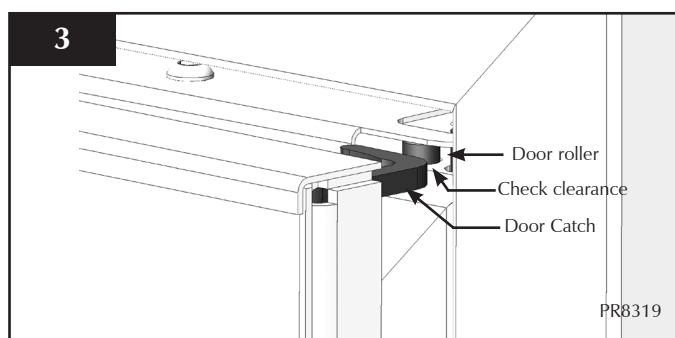
- 6.1 To maintain the safe use of your appliance you need to replace damaged or worn door sealing rope. To complete this operation:
- Remove the door see Section 7 Fitting & Removal of The Door in the Installation section.
- 6.2 Remove the old rope and scrape old glue from the locating groove. Clean the locating groove with a clean dry cloth to remove all old dust and debris.
- 6.3 Squeeze a generous bead of fresh Stovax Thermic Seal glue into the rope locating groove
- Press the new Stovax rope into the locating groove, placing the joint in the middle of the top edge of the door using tape supplied for the ends
- 6.4 Refit the door and close the door to apply pressure to the new rope
- Leave the appliance closed for at least 12 hours before lighting the appliance and using at a low output for approximately one day
- 6.5 Using the appliance with a damaged door seal can cause dangerous fumes to enter the room, or the appliance to over fire, resulting in damage.

## 7. ADJUSTING DOOR HINGES STUDIO 1 & 2

- 7.1 To maintain the safe use of your appliance, you may need to adjust the door hinges to ensure the safe, correct closing of the door. The door must be horizontal/level with the top of the inner box and the door catch engages correctly
- 7.2 Open the door to give access to the hinge block fixing nut.



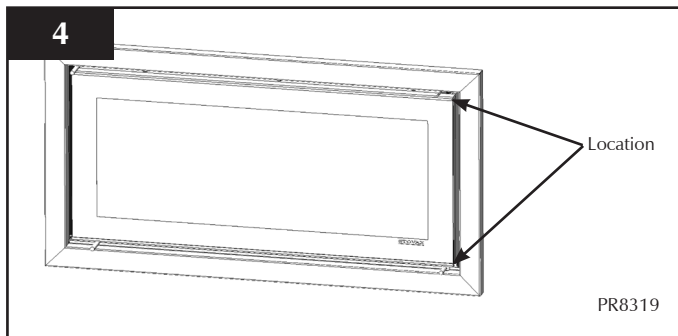
- 7.3 Using a 10mm A/F spanner slightly loosen the fixing nut inside the stove as shown in Diagram 2. This will give vertical and horizontal adjustment which may need a trial and error approach to find the correct position. The door must be horizontally level.
- 7.4 Using the 10mm A/F spanner slightly loosen the screw. This will give in and out adjustment for the door to aid the pressure on the rope seal.
- 7.5 Check the catch engages correctly and clears the inner box.



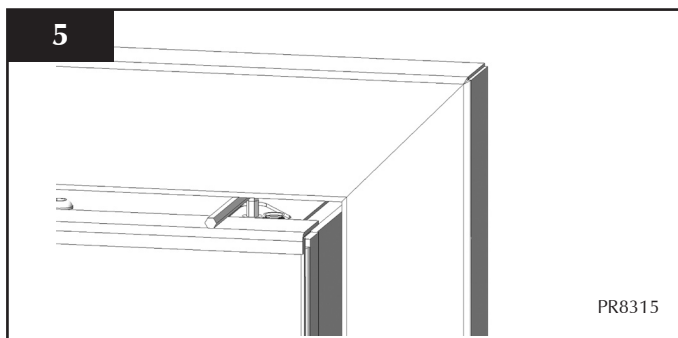
## 8A. ADJUSTING THE DOOR CATCH - STUDIO 1 & 2

- 8a.1 To maintain the safe use of your appliance you may need to adjust the door catch to ensure the safe, correct closing of the door. If the door hinges have been adjusted the door catch may need adjustment.
- 8a.2 The catches are located at the top and the bottom of the right side of the door.

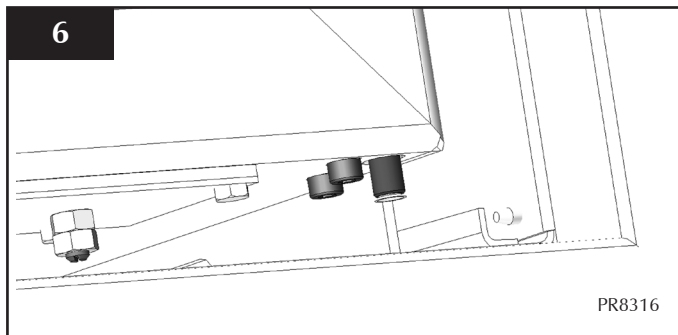
# MAINTENANCE and SERVICING



Top Adjustment



Lower Adjustment



8a.3 Using the 4mm Hex Key supplied loosen the 2 cap head screws Top and Bottom to allow movement but do not remove the screws completely.

- Close the door and operate the door catch.
- Push the door to compress the rope seal  
This will reposition the catch rollers.
- Still pushing the door open the catch and then open the door
- Tighten the top and bottom screws and recheck the catch operation

- Re-do the 'Paper test'

To do a paper test shut a piece of paper in the door at the edges to test how well the rope seal stops the air from entering the appliance. If the paper can be pulled out easily then the seal is not sufficient and the rope must be replaced.

Repeat this around all the edges of the stove.

## 8B. ADJUSTING THE DOOR CATCH - STUDIO 3

8b.1 There is no user adjustment of the door.

### Organisations authorised to certify competence in the installation of domestic solid fuel appliances (Competent Persons Scheme):

APHC - Association of Plumbing and Heating Contractors (Certification) Ltd.  
[www.aphc.co.uk](http://www.aphc.co.uk)

BESCA - Building Engineering Services Competence Accreditation Ltd.  
[www.besca.org.uk](http://www.besca.org.uk)

HETAS - Heating Equipment Testing and Approval Scheme Ltd.  
[www.hetas.co.uk](http://www.hetas.co.uk)

NAPIT - National Association of Professional Inspectors and Testers Ltd.  
[www.napit.org.uk](http://www.napit.org.uk)

NICEIC - NICEIC Group Ltd.  
[www.niceic.org.uk](http://www.niceic.org.uk)

### HETAS Approved Chimney Sweeps:

NACS - The National Association of Chimney Sweeps  
[www.chimneyworks.co.uk](http://www.chimneyworks.co.uk)

APICS - The Association of Master Chimney Sweeps Ltd.  
[www.apics.org](http://www.apics.org)

The Guild of Master Chimney Sweeps  
[guildofmasterchimneysweeps.co.uk](http://guildofmasterchimneysweeps.co.uk)



# BASIC SPARE PARTS LIST

## STUDIO 1

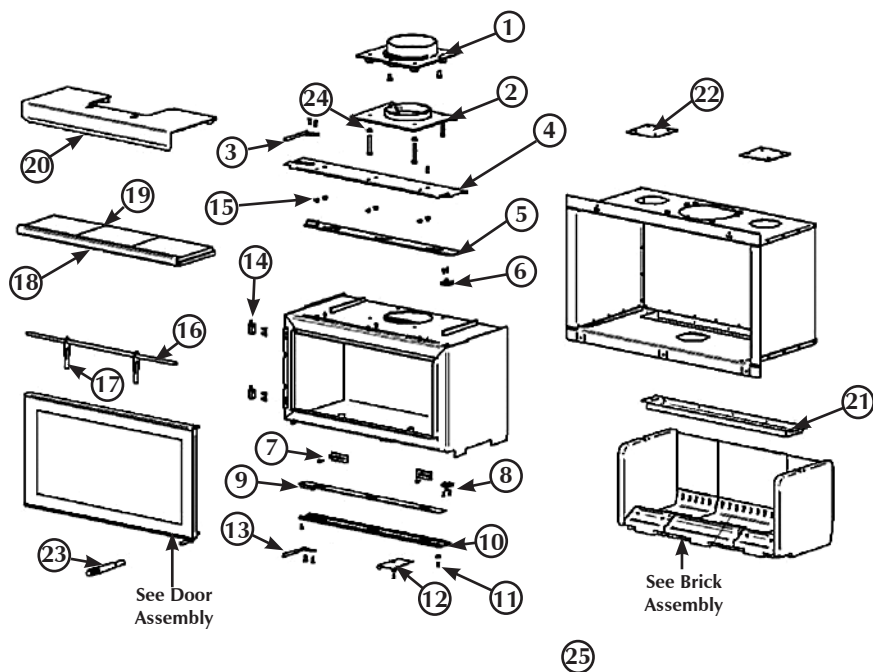


Diagram No.	Description	Part No.
1	Top Collar	RVS-CA7512
2	Lower Collar	RVS-CA7513
3	Airwash Handle Assembly	RVS-MEC8413
4	Airwash Cover	RVS-RA501933
5	Airwash Slider	RVS-MEC8423
6	Top Catch	RVS-MEC8268
7	Secondary Slider	RVS-RA501955
8	Bottom Catch	RVS-MEC8269
9	Slider Assembly	RVS-MEC8424
10	Primary Slider Cover	RVS-MEC8270
11	Ball Spring Plunger	RVAC022
12	Data Plate Mount	RA502194
13	Primary Air Slider Handle Assembly	RVS-MEC8414
14	Hinge Block Assembly	RVS-MEC8373
15	Airwash Spacer	RVS-ME600218
16	Log Bar	RVS-ME600119
17	Log Bar Support Assembly	RVS-MEC8500
18	Baffle Support	RVS-RA501952
19	Baffle Bricks	RVS-CE7469
20	Top Baffle	RVS-MEC8230
21	Fan Blanking Infill	RVS-RA501902
22	Blanking Plate	RVS-ME7376
23	Tool Handle	RVS-ME600213
24	Spacer	RVAC049
25	Hex Key	RVS-ME600326

Diagram No.	Description	Part No.
1	Wood Base Centre Brick	RVS-CE7632
2	Base Side Brick	RVS-CE7631
3	Rear Side Brick	RVS-CE7634
4	Rear Centre Brick	RVS-CE7635
5	Side Brick RHS	RVS-CE7633
6	Side Brick LHS	RVS-CE7689

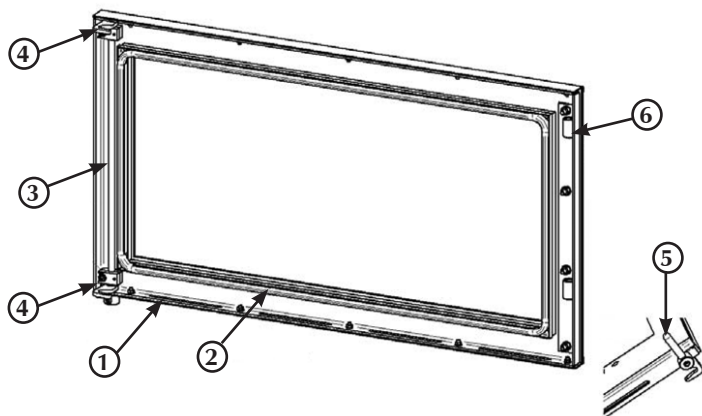
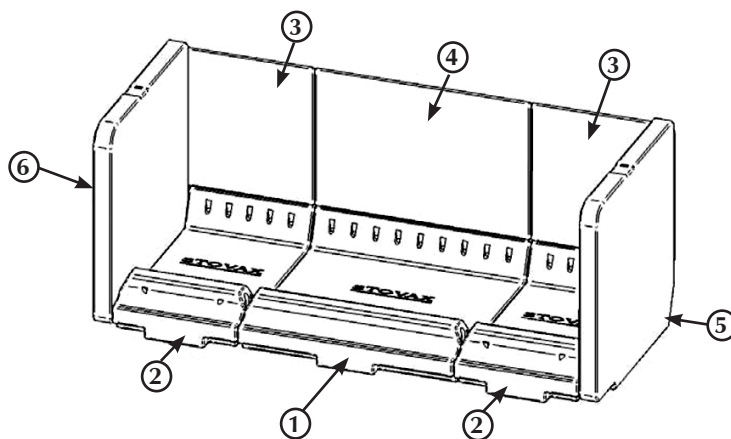


Diagram No.	Description	Part No.
1	Door Assembly	RVS-MEC8227
2	14 Dia Rope	4670H
3	Door Catch Assembly	RVS-MEC8385
4	Catch Block	RVS-ME600175
5	Handle Bar	RVS-ME600203
6	Hinge Assembly	RVS-MEC8287

# BASIC SPARE PARTS LIST

## STUDIO 2

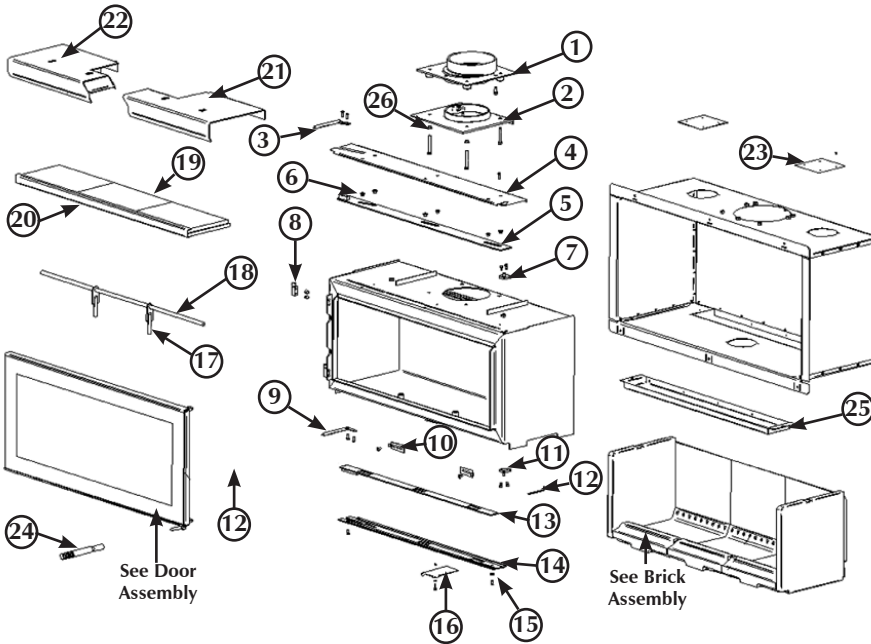


Diagram No.	Description	Part No.
1	Top Collar	RVS-CA7512
2	Lower Collar	RVS-CA7513
3	Airwash Handle Assembly	RVS-MEC8413
4	Airwash Cover	RVS-RA501947
5	Airwash Slider	RVS-MEC8381
6	Airwash Spacer	RVS-ME600218
7	Top Catch	RVS-MEC8268
8	Hinge Block Assembly	RVS-MEC8373
9	Primary Slider Handle Assembly	RVS-MEC8414
10	Secondary Slider	RVS-RA501955
11	Bottom Catch	RVS-MEC8269
12	Hex Key	RVS-ME600326
13	Primary Slider	RVS-MEC8380
14	Primary Slider Carrier	RVS-MEC8237
15	Ball Spring Plunger	RVAC022
16	Data Plate Mount	RVS-RA502194
17	Log Bar Support Assembly	RVS-MEC8500
18	Log Bar	RVS-ME600114
19	Baffle Brick	RVS-CE7468
20	Baffle Support	RVS-RA501946
21	Top Baffle RHS	RVS-MEC8477
22	Top Baffle LHS	RVS-MEC8476
23	Cover Plate	RVS-ME7376
24	Tool Handle	RVS-ME600213
25	Fan Infill	RVS-RA502008
26	Spacer	RVAC049

Diagram No.	Description	Part No.
1	Base Brick	RVS-CE7613
2	Back Brick Side	RVS-CE7624
3	Back Brick	RVS-CE7615
4	Side Brick RHS	RVS-CE7625
5	Side Brick LHS	RVS-CE7690

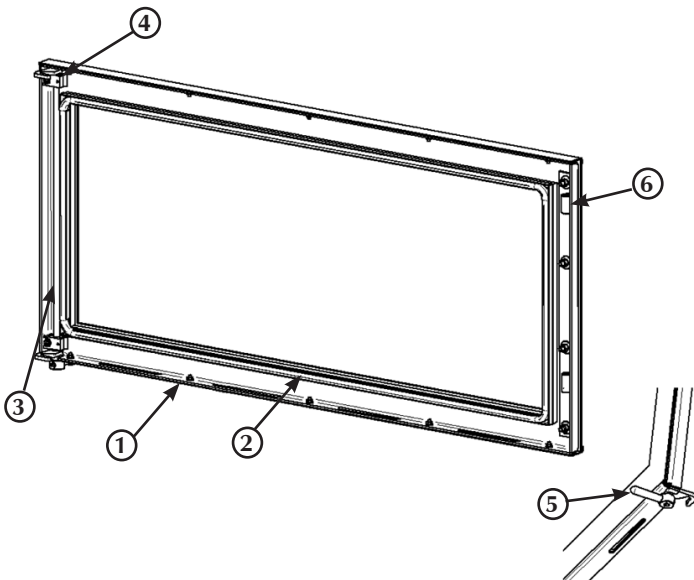
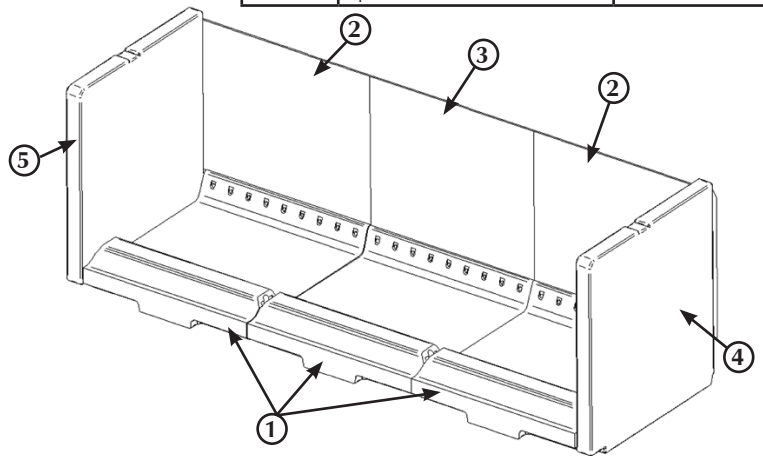


Diagram No.	Description	Part No.
1	Door Assembly	RVS-MEC8219
2	14 Dia Rope	4670H
3	Door Catch Assembly	RVS-MEC8378
4	Catch Block	RVS-ME600175
5	Handle bar	RVS-ME600203
6	Hinge Assembly	RVS-MEC8243

# BASIC SPARE PARTS LIST

## STUDIO 3

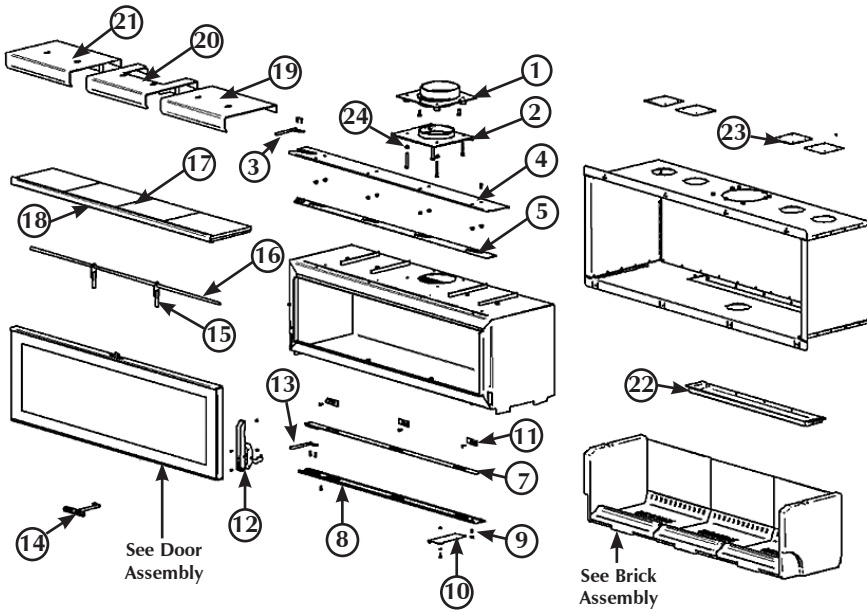


Diagram No.	Description	Part No.
1	Top Collar	RVS-CA7512
2	Lower Collar	RVS-CA7513
3	Airwash Handle Assembly	RVS-MEC8451
4	Airwash Handle Cover	RVS-RA502042
5	Airwash Slider	RVS-MEC8453
6	Airwash Spacer	RVS-ME600218
7	Primary Slider	RVS-MEC8454
8	Primary Slider Cover Assembly	RVS-MEC8367
9	Ball Spring Plunger	RVAC022
10	Data Plate Mount	RVS-RA502190
11	Secondary Slider	RVS-RA502214
12	Hinge Assembly	RVS-MEC8379
13	Primary Slider Handle Assembly	RVS-MEC8452
14	Door Handle	RVS-MEC8552
15	Log Bar Support Assembly	RVS-MEC8500
16	Log Bar	RVS-ME600156
17	Baffle Brick	RVS-CE7520
18	Baffle Support	RVS-RA501994
19	Top Baffle RHS	RVS-MEC8455
20	Top Baffle CENTRE	RVS-MEC8305
21	Top Baffle LHS	RVS-MEC8456
22	Fan Infill	RVS-RA502008
23	Convactor Air Cover	RVS-ME7376
24	Spacer	RVAC049

Diagram No.	Description	Part No.
1	Base Brick	RVS-CE7626
2	Rear Side Brick	RVS-CE7628
3	Rear Centre Brick	RVS-CE7627
4	LH Side Brick	RVS-CE7629
5	RH Side Brick	RVS-CE7630

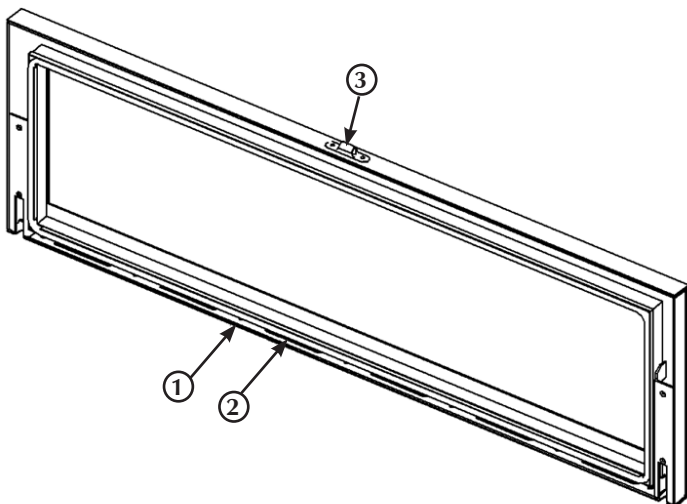
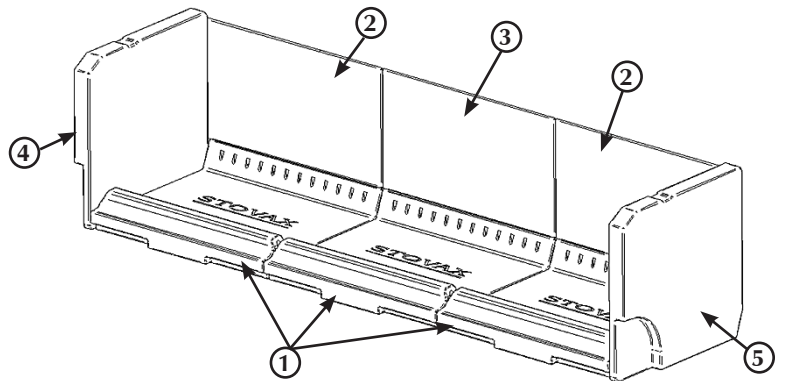


Diagram No.	Description	Part No.
1	Door Assembly	RVS-MEC8300
2	14 Dia Rope	4670H
3	Door Opening Block	RVS-ME600334

# NOTES

# SERVICE RECORDS

## 1ST SERVICE

Date of Service:.....

Next Service Due:.....

Signed:.....

Dealer's Stamp/HETAS Registration Number

## 3RD SERVICE

Date of Service:.....

Next Service Due:.....

Signed:.....

Dealer's Stamp/HETAS Registration Number

## 5TH SERVICE

Date of Service:.....

Next Service Due:.....

Signed:.....

Dealer's Stamp/HETAS Registration Number

## 7TH SERVICE

Date of Service:.....

Next Service Due:.....

Signed:.....

Dealer's Stamp/HETAS Registration Number

## 9TH SERVICE

Date of Service:.....

Next Due:.....

Signed:.....

Dealer's Stamp/HETAS Registration Number

## 2ND SERVICE

Date of Service:.....

Next Service Due:.....

Signed:.....

Dealer's Stamp/HETAS Registration Number

## 4TH SERVICE

Date of Service:.....

Next Service Due:.....

Signed:.....

Dealer's Stamp/HETAS Registration Number

## 6TH SERVICE

Date of Service:.....

Next Service Due:.....

Signed:.....

Dealer's Stamp/HETAS Registration Number

## 8TH SERVICE

Date of Service:.....

Next Due:.....

Signed:.....

Dealer's Stamp/HETAS Registration Number

## 10TH SERVICE

Date of Service:.....

Next Service Due:.....

Signed:.....

Dealer's Stamp/HETAS Registration Number

# EC Declaration of Conformity



The undersigned, representing the following :

Manufacturer
<b>Stovax Ltd</b>
Falcon Road, Sowton Industrial Estate Exeter EX2 7LF

Herewith declare that the products :

Description	Product code
Riva Studio 1	RVS1
Riva Studio 2	RVS2
Riva Studio 3	RVS3

Description of product : Riva Studio domestic wood heating stove product range

Steel fabricated stove body fitted with steel door sets, and various decorative trim options.  
Supplied in various sizes to give a range of heat output options.

are in conformity with the provisions of the following EC Directive(s) when installed in accordance with the installation instructions in the product documentation :

98/106/EEC Construction Products Directive

and the standards referenced below have been applied :

EN 13229 : 2001 Inset appliances including open fires fired by solid fuel – Requirements and test methods.

EN 50165 : 1997 Electrical equipment of non-electrical appliances for household and similar purposes. Safety requirements.

Product : Roomheater fired by solid fuel as covered under the scope of the standards listed. Intended use : Space heating in residential buildings.		
Characteristic	Performance	Report
Fire safety	Satisfies	
Emission of combustion products	Riva Studio 1 (RVS1) CO @ 13% O <sub>2</sub> Wood 0.230% Riva Studio 2 (RVS2) CO @ 13% O <sub>2</sub> Wood 0.180% Riva Studio 3 (RVS3) CO @ 13% O <sub>2</sub> Wood 0.247%	
Release of dangerous substance	None	
Surface temperature	Satisfies	
Mechanical resistance (to carry a chimney/flue)	Maximum weight to be supported 25Kg	
Thermal output / Efficiency	Riva Studio 1 (RVS1) Wood 5.0 Kw @ 74.6% Riva Studio 2 (RVS2) Wood 8.0 Kw @ 75.3% Riva Studio 3 (RV3) Wood 11.0 Kw @ 75.6%	

Test laboratory : 0558

Name : D. J. Saunders

Position : Design Engineer

Signature :

Date : 18 / 08 / 2009

Sheet 1 of 1



# STOVAX

Stovax Ltd, Falcon Road, Sowton Industrial Estate, Exeter, Devon, England EX2 7LF

Tel: (01392) 474011 Fax: (01392) 219932 E-mail: [info@stovax.com](mailto:info@stovax.com) [www.stovax.com](http://www.stovax.com)