



Stockton 5 Log Effect Stove

Balanced Flue

With upgradeable control valve

Instructions for Use, Installation and Servicing

For use in GB, IE (Great Britain and Republic of Ireland)

IMPORTANT

This product contains a Heat resistant glass panel. This panel should be checked during Installation and at each servicing interval. If any damage is observed on the front face of the glass panel (scratches, scores, cracks or other surface defects), the glass panel must be replaced and the appliance must not be used until a replacement is installed. Under no circumstances should the appliance be used if any damage is observed, the glass panel is removed or broken.

Parts of this appliance will become hot during operation; it is therefore recommended that a suitable guard should be used for protection of young children, the elderly or infirm.

This appliance is guaranteed for 2 years (subject to the conditions on page 3 of this Instruction manual). The second year of the guarantee will only be valid if the annual service recommended in this Instruction manual has been completed by a GasSafe registered engineer, and a copy of the service report is available for inspection by a Gazco engineer.

These Instructions must be left with the appliance for future reference and for consultation when servicing the appliance. Please make the customer aware of the correct operation of the appliance before leaving these instructions with them.

The commissioning sheet found on Page 3 of this Instruction manual must be completed by the Installer prior to leaving the premises.

CONTENTS

COVERING THE FOLLOWING MODELS

8563LUC - P8563LUC

	PAGE
APPLIANCE COMMISSIONING CHECKLIST	3
USER INSTRUCTIONS	4
INSTALLATION INSTRUCTIONS	9
Technical Specifications	9
Site Requirements	10
Installation	14
Commissioning	20
SERVICING INSTRUCTIONS	21
Servicing Requirements	21
Fault Finding	21
How to replace parts	23
Basic spare parts list	27

APPLIANCE COMMISSIONING CHECKLIST

IMPORTANT NOTICE

Explain the operation of the appliance to the end user, hand the completed instructions to them for safe keeping, as the information will be required when making any guaranteed claims.

FLUE CHECK	PASS	FAIL
1. Flue is correct for appliance		
2. Flue flow test N/A		
3. Spillage test N/A		
GAS CHECK		
1. Gas soundness & let by test		
2. Standing pressure test	mb	
3. Appliance working pressure (on High Setting) NB All other gas appliances must be operating on full	mb	
4. Gas rate	m ³ /h	
5. Does ventilation meet appliance requirements		
6. Have controls been upgraded (Upgradeable models only)	8455 Standard YES	NO
	8456 Programmable Thermostatic and Timer YES	NO

DEALER AND INSTALLER INFORMATION

Dealer

Installation Company

.....

.....

.....

.....

Contact No.....

Engineer

Date of Purchase.....

Contact No.....

Model No.....

Gas Safe Reg No.....

Serial No.....

Date of Installation

Gas Type

This product is guaranteed for 2 years from the date of installation, as set out in the terms and conditions of sale between Gazco and your local Gazco dealer. **This guarantee will be invalid, to the extent permitted by law, if the above Appliance Commissioning Checklist is not fully completed by the installer and available for inspection by a Gazco engineer.** The guarantee will only be valid during the second year, to the extent permitted by law, if the annual service recommended in the Instructions for Use has been completed by a Gas Safe registered engineer, and a copy of the service visit report is available for inspection by a Gazco engineer.

USER INSTRUCTIONS

1. GENERAL

In the event of a gas escape or if you can smell gas, please take the following steps:

- Immediately turn off the gas supply at the meter/emergency control valve.
- Extinguish all sources of ignition.
- Do not smoke.
- Do not operate any electrical light or power switches (On or Off).
- Ventilate the building(s) by opening doors and windows.
- Ensure access to the premises can be made.

Please report the incident immediately to the National Gas Emergency Service Call Centre on 0800 111 999 (England, Scotland and Wales) 0800 002 001 (N. Ireland) or in the case of LPG, the gas supplier whose details can be found on the bulk storage vessel or cylinder.

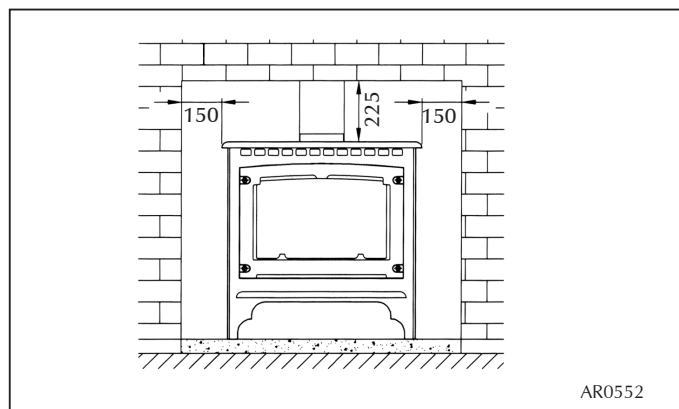
The gas supply must not be used until remedial action has been taken to correct the defect and the installation has been recommissioned by a competent person.

- 1.1 Installation and servicing must only be carried out by a competent person whose name appears on the Gas Safe register. To ensure the engineer is registered with Gas Safe they should possess an ID Card carrying the following logo:



- 1.2 This stove is suitable for use in G.B. and I.E. using Natural Gas at a supply pressure of 20mbar or LPG at a supply pressure of 29mbar (Butane) or 37mbar (propane).
- 1.3 The installation shall also be completed in accordance with:
- The Building Regulations issued by The Department of The Environment.
 - The Building Standards (Scotland) Regulations issued by the Scottish Development Department.
- For Republic of Ireland, reference should be made to the relevant standards governing installations (IS813:1996).
- 1.4 Read all these instructions before commencing installation.
- 1.5 This stove must be installed in accordance with the rules in force.
- 1.6 If the flue has to be removed from the stove for any reason, the seals must be replaced in the inner spigot.

- 1.7 Do not obstruct the flue terminal in any way, i.e. by planting flowers, trees, shrubs etc. in the near vicinity, or by leaning objects against the terminal guard.
- 1.8 Do not put any objects on the terminal guard; it will lose its shape.
- 1.9 If you use a garden sprinkler, do not let quantities of water into the flue terminal.
- 1.10 Do not place curtains above the stove. You must leave 300mm (1') clearance between the stove and any curtains at either side.
- 1.11 All the outer-casing of this stove is considered by the manufacturer to be a working surface which becomes hot when the stove is lit. You must use a suitable fire guard to protect children, the elderly and infirm.
- 1.12 This stove must only be lit with the door firmly secured in position. If any cracks appear in the glass, the stove must not be used until the glass panel is replaced.
- 1.13 Do not burn rubbish on this stove.
- 1.14 Combustible shelves or furniture must be positioned outside the minimum measurements shown in the diagram below.



- 1.15 Quote the Model and Serial Number found on the data badge at the back of the stove in all correspondence.
- 1.16 There is a two year guarantee from the date of installation of this stove, as set out in the Terms and Conditions of Sale between Gazco and your local Gazco dealer. Consult your local dealer if you have any questions and quote the Model and Serial number. Please make sure the Appliance Commissioning Checklist is completed by your installer; it is a requirement of your Guarantee.

2. LIGHTING THE STOVE

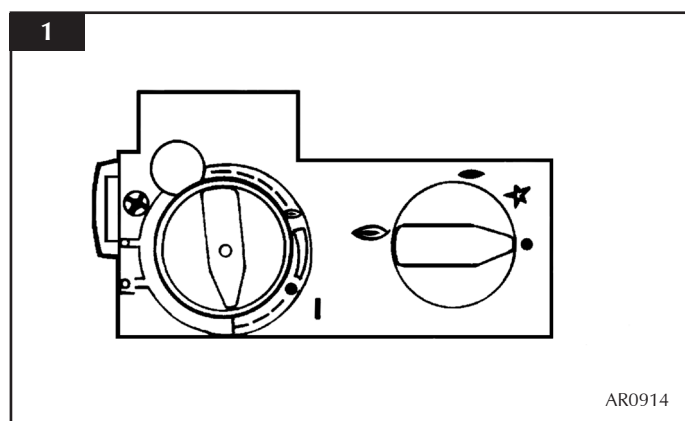
- 2.1 The control valve is on the right-hand side at the foot of the stove. It has two controls:
- The right-hand knob controls the pilot ignition.
 - The left-hand knob controls the main burner.

USER INSTRUCTIONS

- 2.2 Refer to separate instructions if your stove is upgraded to include battery remote control. The following instructions apply whether or not you have the remote upgrade.

Lighting the Pilot

- 2.3 The left-hand and right-hand control knobs must both point to off (●):



- 2.4 Press in the right-hand control knob and rotate anti-clockwise until a click is heard.
- 2.5 Continue to press in. The knob should point to the pilot (←). The pilot should now light.
- 2.6 Keep the knob depressed for 10 seconds before releasing. The pilot should remain lit.
- 2.7 If the pilot does not stay lit repeat the above steps.

NOTE: If the pilot goes out the Interlock system prevents it being lit again for a short period.

- 2.8 If, after repeating the above steps, the pilot does not light, contact your retailer or installer.

Adjusting the Flame height

- 2.9 Turn the right hand control to point to main burner (→). You can now adjust the flame height and temperature using the left-hand control knob.
- 2.10 Turn the left-hand knob anti-clockwise to increase the flame height.
- 2.11 Turn clockwise to decrease the height.

YELLOW FLAMES APPEAR WHEN THE STOVE HAS REACHED SUFFICIENT HEAT (10 TO 20 MINUTES). IF THE STOVE IS EXTINGUISHED OR GOES OUT DURING USE WAIT 3 MINUTES BEFORE ATTEMPTING TO RELIGHT.

3. TURNING THE STOVE OFF

- 3.1 To turn off main burner turn the **left-hand** knob until it points to off (●). The pilot light will remain lit.
- 3.2 To turn off pilot light press in and turn the **right-hand** knob until it points to off (●). The pilot light will go out.

4. UPGRADING THE STOVE

The stove is fitted with a control valve that can be upgraded to support a battery powered remote control. Two types of remote control can be obtained through your local Gazco stockist:

- 4.1 The **Standard Remote Control (Gazco Part No. 8455)** controls the gas stove after the pilot is lit so you can regulate the main burner through its range of settings and turn the burner off leaving just the pilot lit.
- 4.2 The **Thermostatic and Timer Remote Control (Gazco Part No. 8456)** controls the stove after the pilot is lit using three modes:
- Manual Mode – used to turn the burner on and off and regulate it through its range of settings.
 - Auto Mode – used to turn the burner on and off and regulate the heat to a pre-set temperature.
 - Timer Mode – used to turn the burner on and off at two pre-set times and regulate the heat to a pre-set temperature during those periods.

5. CLEANING THE STOVE

ADVICE ON HANDLING AND DISPOSAL OF FIRE CERAMICS

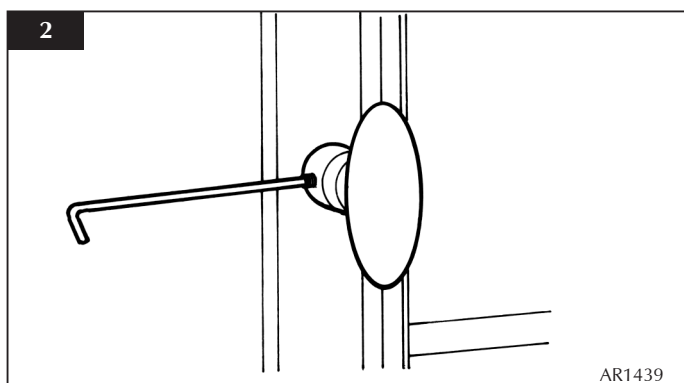
- 5.1 The fuel effect logs and embers in this stove are made from Refractory Ceramic Fibre (RCF). Protective clothing is not required when handling these articles, but we recommend you follow normal hygiene rules of not smoking, eating or drinking in the work area and always wash your hands before eating or drinking. Excessive exposure to these materials may cause temporary irritation to eyes, skin and respiratory tract; wash hands thoroughly after handling the material.
- 5.2 To ensure that the release of RCF fibres is kept to a minimum a HEPA filtered vacuum is recommended to remove any dust accumulated in and around the stove.
- 5.3 When servicing the stove it is recommended that the replaced items are not broken up, but are sealed into heavy duty polythene bags and labelled as RCF waste. RCF waste is classed as stable, non-reactive, hazardous waste and may be disposed of at a licensed landfill site.

USER INSTRUCTIONS

- 5.4 After cleaning the stove or replacing parts, carefully re-assemble the ceramic components.

WHEN THE EMBERS ARE PLACED ON THE BURNER IT IS IMPORTANT THEY DO NOT COVER ANY PORTS!

- 5.5 Make sure the stove and surrounds are cool before trying to clean.
- 5.6 To open the door of the stove undo the grub screw with a 2mm Hexagon key (see Diagram 2).
- 5.7 Turn the knob anti-clockwise.
- 5.8 Pull the door open.



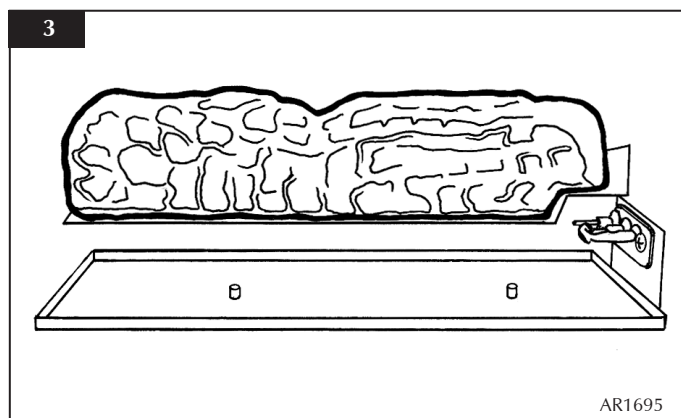
- 5.9 The ceramic logs and embers should not need cleaning. Do not use a vacuum cleaner or brush to clean the logs.
- 5.10 Remove all the ceramic logs and embers from inside the stove.
- 5.11 Remove any large pieces of debris by hand.
- 5.12 Remove any debris from the burner ports.
- 5.13 Replace the logs and embers as set out in Section 6.
- 5.14 Use a ceramic glass product generally sold for cleaning ceramic hobs to clean the glass front.
- 5.15 Close the door and tighten the grub screw.
- 5.16 Use a damp cloth to clean the outer casing of the stove.

6. FUEL BED ARRANGEMENT

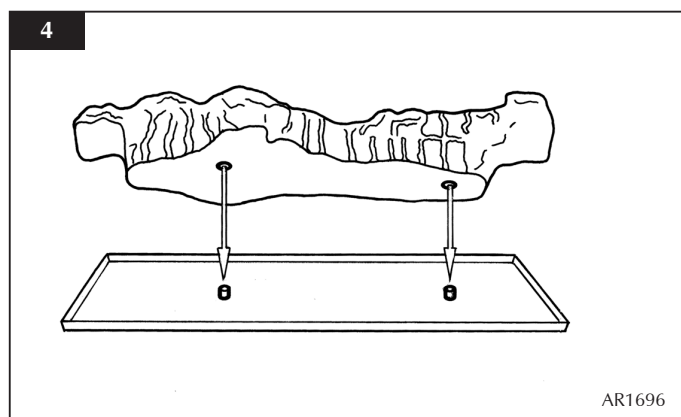
WHEN THE EMBERS ARE PLACED ON THE BURNER IT IS IMPORTANT THEY DO NOT COVER ANY PORTS.

The fuel bed is made up of embers and 6 logs, identifiable by molded letters.

- 6.1 Place Log A on the ledge at the rear of the stove (see Diagram 3).

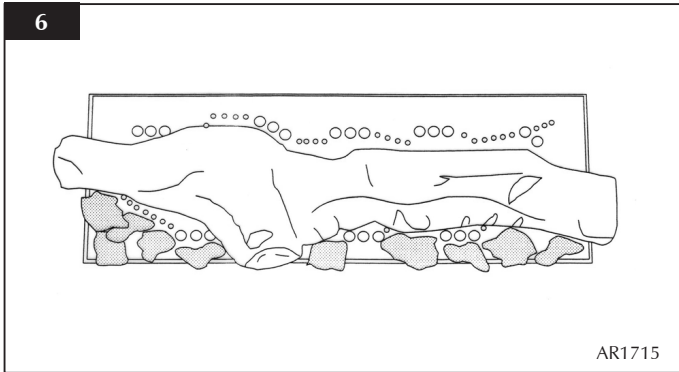


- 6.2 Place Log C onto the two studs on the burner skin (see Diagram 4) with charred effect of the log facing forward (see Diagram 5).

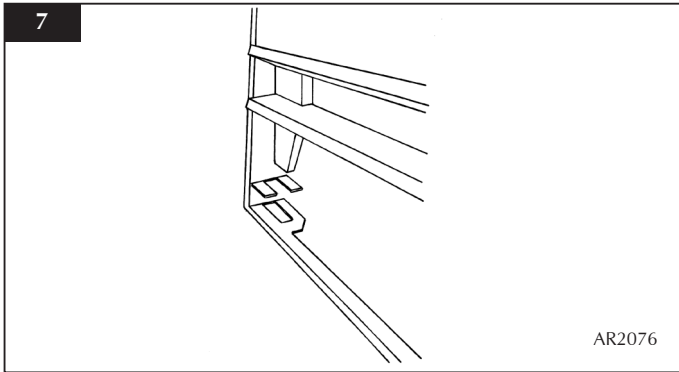


USER INSTRUCTIONS

- 6.3 Put the embers on the burner around the positioned logs. **TAKE CARE NOT TO COVER ANY PORTS ON THE BURNER** as shown in Diagram 6.

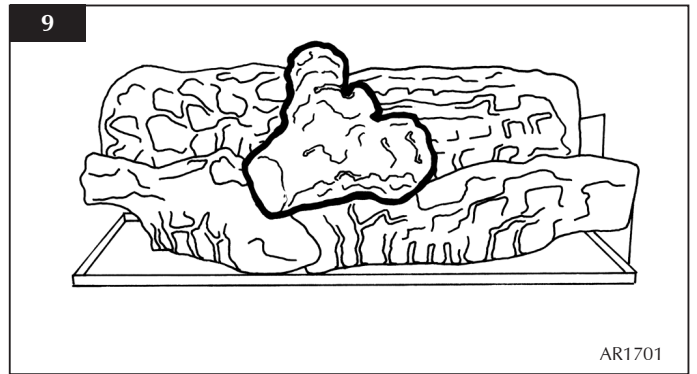
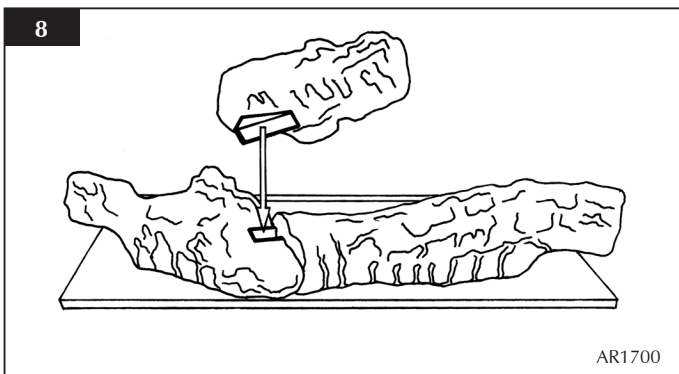


- 6.4 Place the log retainer in the two guides as shown (see Diagram 7).

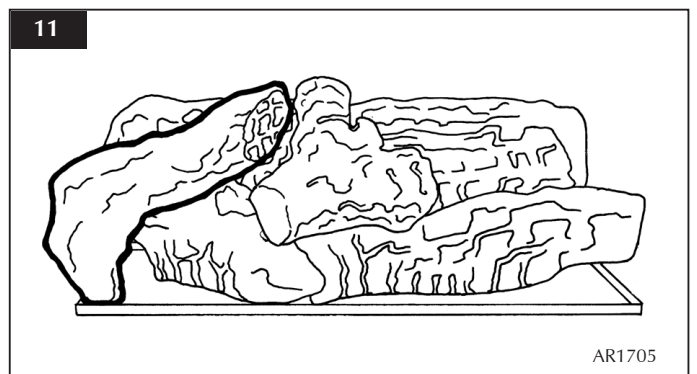
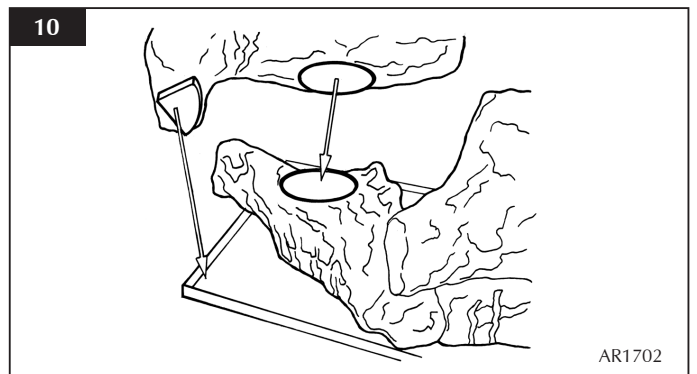


FOR CLARITY, THE FOLLOWING LOG ARRANGEMENT DIAGRAMS DO NOT INCLUDE ILLUSTRATION OF THE RETAINER.

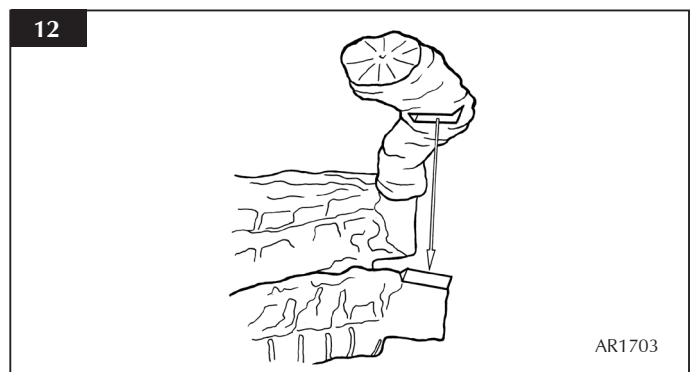
- 6.5 Place Log D so that the back end sits in the groove in the rear of Log A and the front left rests in the groove in Log C (see Diagrams 8 and 9).



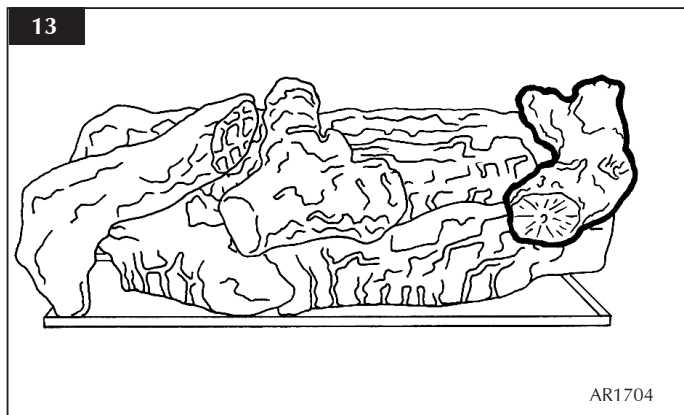
- 6.6 Position Log B so that the underneath rests in the groove of Log C (see Diagram 10) and the end is in the corner of the burner (see Diagram 11).



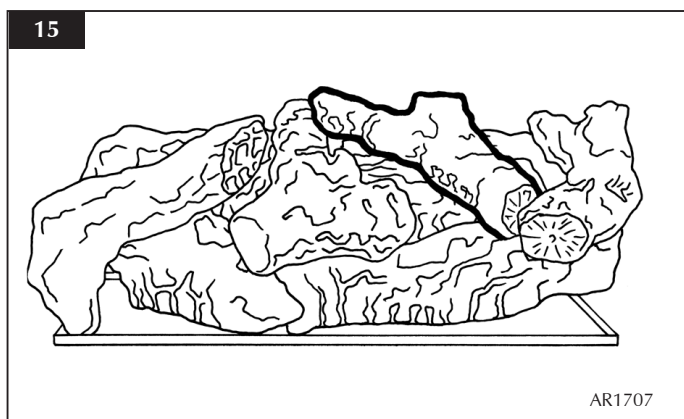
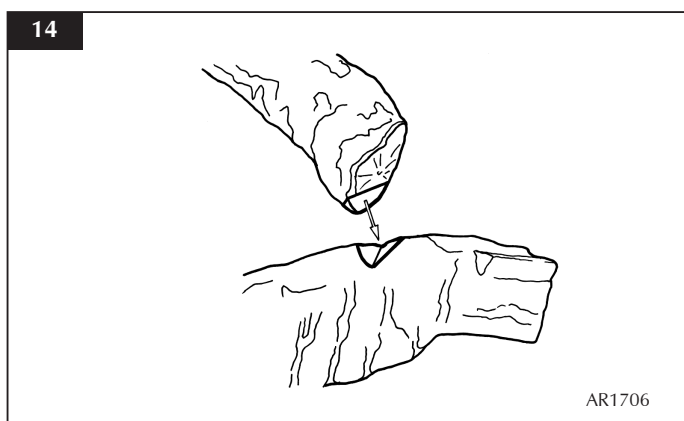
- 6.7 Put the groove underneath Log F onto Log C (see Diagram 12) so that Log F is parallel to the side of the firebox (see Diagram 13).



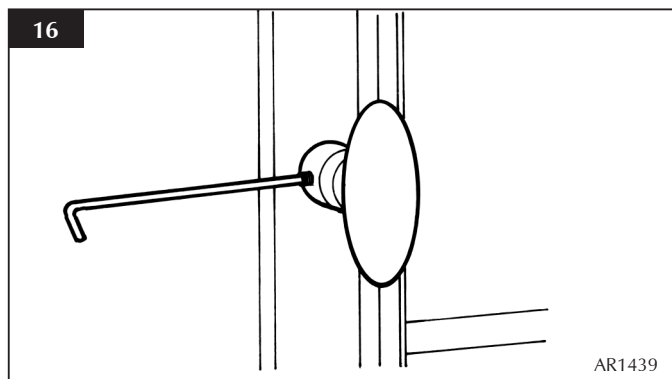
USER INSTRUCTIONS



6.8 Place Log E into the groove between Log F and Log D so that it rests across Logs A and D (see Diagrams 14 and 15).



6.9 Close the door and tighten the grub screw with the Hexagon key (see Diagram 16).



8. FLAME FAILURE DEVICE

This is a safety feature of all Gazco stoves which automatically switches off the gas supply should the pilot go out.

9. RUNNING IN

The surface coating of your Gazco stove burns off during the first few hours of use, producing a harmless temporary odour. This disappears after a short period, but if it persists, ask your retailer for advice.

10. SERVICING

A qualified gas engineer must service the stove every 12 months. In all correspondence, always quote the Model and Serial Number found on the data badge at the back of the stove.

11. INSTALLATION DETAILS

Make sure your installer completes the *Appliance Commissioning Checklist* on page 3. This records essential details of this stove. In all correspondence, always quote the Model and Serial Number.

12. HOT SURFACES

This stove becomes hot during normal use. You must use a suitable fire guard to protect children, the elderly and the infirm.

INSTALLATION INSTRUCTIONS

TECHNICAL SPECIFICATION

8563LUC - P8563LUC

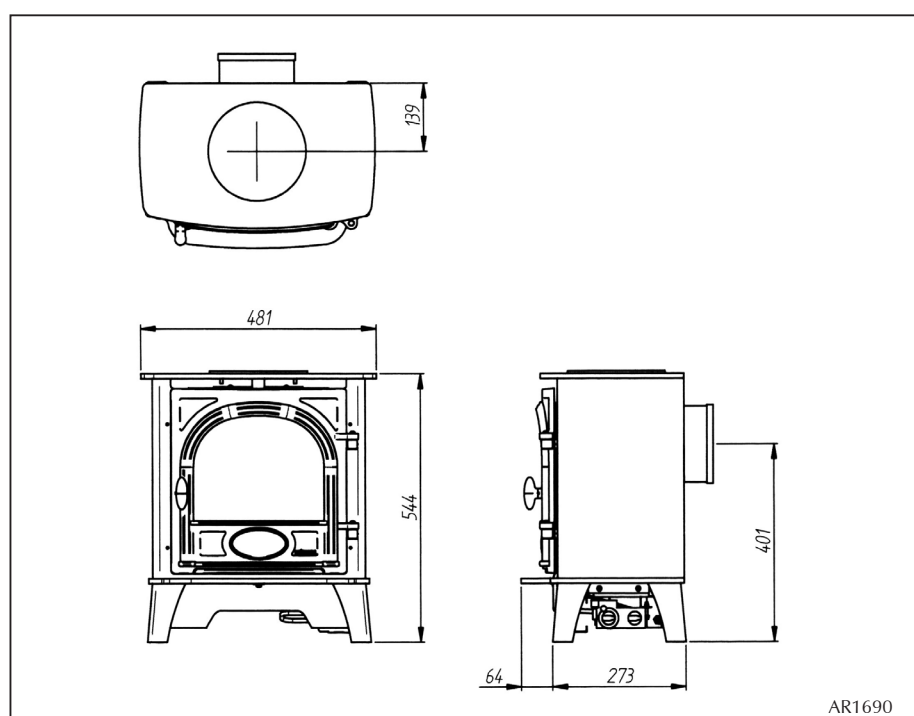
MODEL	GAS CAT.	GAS TYPE	PRESSURE	NO _x	AERATION	INJECTOR	GAS RATE m ³ /h	INPUT kW (Gross)		COUNTRY
								High	Low	
Stockton 5 8563LUC	I ₂ H	Natural Gas G20	20mbar	4	6 x 15	158	0.398	4.25	3	UK, IE
Stockton 5 8563LUC	I ₃ P	LPG Propane G31	37mbar	3	6 x 10 (1) 16 x 23 (1)	110	0.146	4.1	2.6	UK, IE
Rear Exit	Wall Thickness	MIN 200mm	MAX 550mm							
Efficiency Class 1										
Flue Outlet Size ø 150mm, Flue Inlet Size ø 100mm										
Gas Inlet Connection Size ø 8mm										
RESTRICTOR REQUIREMENT										
VERTICAL & HORIZONTAL FLUE Specification										
Vertical Flue Height from Top of Appliance			Horizontal Length			Restrictor Size				
500mm up to 1490mm			250mm up to 1000mm			No restrictor				
1500mm up to 300mm			250mm up to 5000mm			ø 75mm				
TOP EXIT - VERTICAL ONLY INCLUDING OFFSET										
Vertical Flue Height from Top of Appliance			Restrictor Size							
3000mm up to 4990mm			ø 52mm							
5000mm up to 10,000mm			ø 47mm							

PACKING CHECKLIST

Packing Checklist

Qty Description

- 1 x Stove
- 1 x Flue infill plate
- 1 x Log set
- 1 x Fixing kit containing:
 - 1 x Instruction manual
 - 2 x Wood screws
 - 2 x Expansion plugs
 - 1 x Hexagon key



INSTALLATION INSTRUCTIONS

SITE REQUIREMENTS

1. FLUE AND CHIMNEY REQUIREMENTS

Note: This stove must be installed in conjunction with the flue supplied.

- 1.1 The flue must be sited in accordance with BS5440:Part1 (latest edition) (see Diagram 1).
- 1.2 A guard must be fitted where the flue terminal exits at less than 2 metres above any level ground, balcony or flat roof to which people have access.
- 1.3 All vertical and horizontal flues must be securely fixed and conform to local and national codes of practice for stove precautions.
- 1.4 A restrictor may be required. Refer to the Technical Specifications on the previous page.

2. TIMBER FRAMED BUILDINGS

- 2.1 To prevent a stove hazard, you must provide additional clearance when the stove passes through a wall containing any combustible materials.
- 2.2 A steel sleeve must be inserted into the hole through which the flue passes to give an air gap of 25mm between the sleeve and the outside surface of the flue.
- 2.3 Contact your local buildings authority for further guidance on installing gas stoves in timber framed buildings.

Note: Make sure you provide adequate clearance at the sides and back of the stove for servicing access.

1
UK Dimensions

Dimension	Terminal position	Minimum Distance
A*	Directly below an opening, air brick, opening windows, etc.	600mm
B*	Above an opening, air brick opening windows, etc.	300mm
C*	Horizontally to an opening, air brick opening windows etc.	400mm
D	Below gutters, soil pipes or drain pipe	300mm
E	Below eaves	300mm
F	Below balconies or car port roof	600mm
G	From a vertical drain pipe or soil pipe	300mm
H	From an internal or external corner	600mm
I	Above group roof or balcony level	300mm
J	From a surface facing the terminal (also see 6.1.2)	600mm
K	From a terminal facing the terminal	600mm
L	From an opening in the car port (e.g. door, window) into the dwelling	1200mm
M	Vertically from a terminal on the same wall	1500mm
N	Horizontally from a terminal on the same wall	300mm
O	From the wall on which the terminal is mounted	N/A
P	From a vertical structure on the roof	600mm
Q	Above intersection with roof	300mm

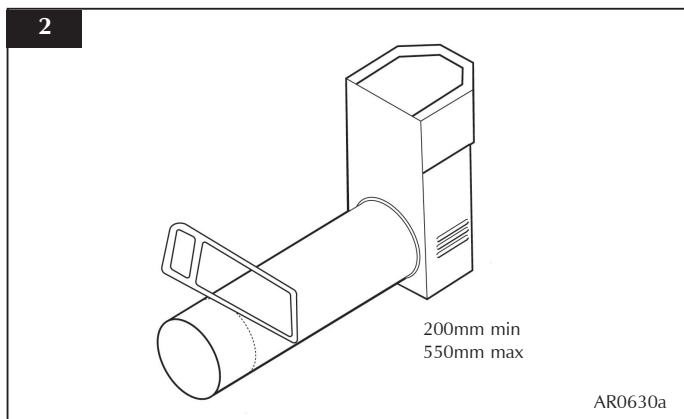
* In addition, the terminal should not be nearer than 300mm to an opening in the building fabric formed for the purpose of accommodating a built-in element such as a window frame

AR0602

INSTALLATION INSTRUCTIONS

SITE REQUIREMENTS

3. REAR FLUE



Terminal dimensions:
395 x 200 x 200 mm (H x W x D)
Guard supplied
Cut to length as required on site (see Diagram 2).

4. TOP EXIT

There are two types of flue terminal: horizontal and vertical.
For vertical see *Section 7* on page 12.

For horizontal:

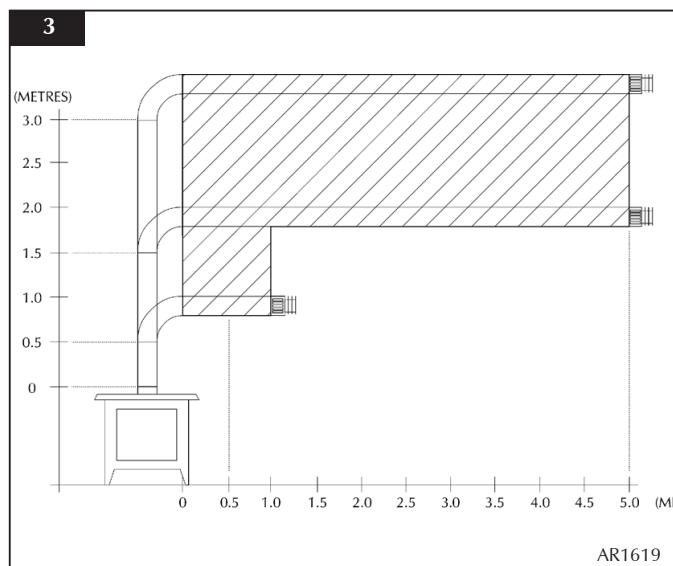
- 4.1 Decide on the terminal position.
- 4.2 Measure the height from the top of the stove to the centre of the required hole. For minimum and maximum dimensions see Diagram 3.
- 4.3 To fit the flue you must have access to the top or the side of the stove to connect the flue.
- 4.4 Assemble the vertical sections.
- 4.5 Add the 90° elbow.
- 4.6 Add the horizontal section and terminal. **Only the horizontal part can be reduced in size.**
- 4.7 A masonry installation requires the addition of a suitable lintel to support the opening. Refer to *Installation Instructions, Technical Information* for details of the flue length.

5. TOP FLUE UP AND OUT KIT

- 5.1 This flue rises vertically from the top of the stove, then continues horizontally outward (see Diagram 3).

The basic kit comprises:

- 1 x 500mm vertical length
- 1 x 500mm terminal length
- 1 x 90 degree elbow
- 1 x wall plate
- 1 x 75mm restrictor fixing screw



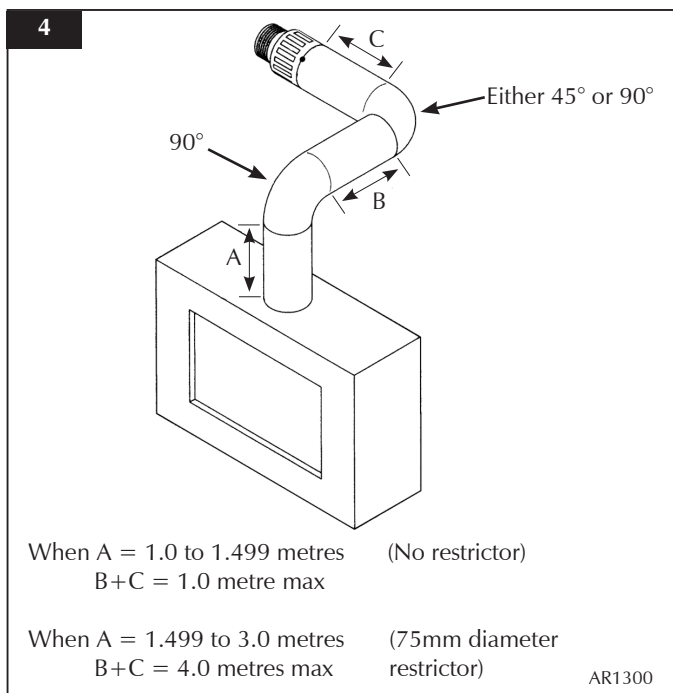
- 5.2 This kit provides the minimum materials. Extra lengths can be added to the vertical and horizontal sections; refer to *Section 7*.
- 5.3 Refer to *Installation Instructions, Technical Specification* (page 9) to identify when to use a restrictor.

INSTALLATION INSTRUCTIONS

SITE REQUIREMENTS

6. TOP FLUE UP AND OUT WITH ADDITIONAL BEND

An additional bend can be used on the horizontal section (45° or 90°) but the overall horizontal flue is reduced (see Diagram 4).



7. TOP FLUE VERTICAL OFFSET KIT

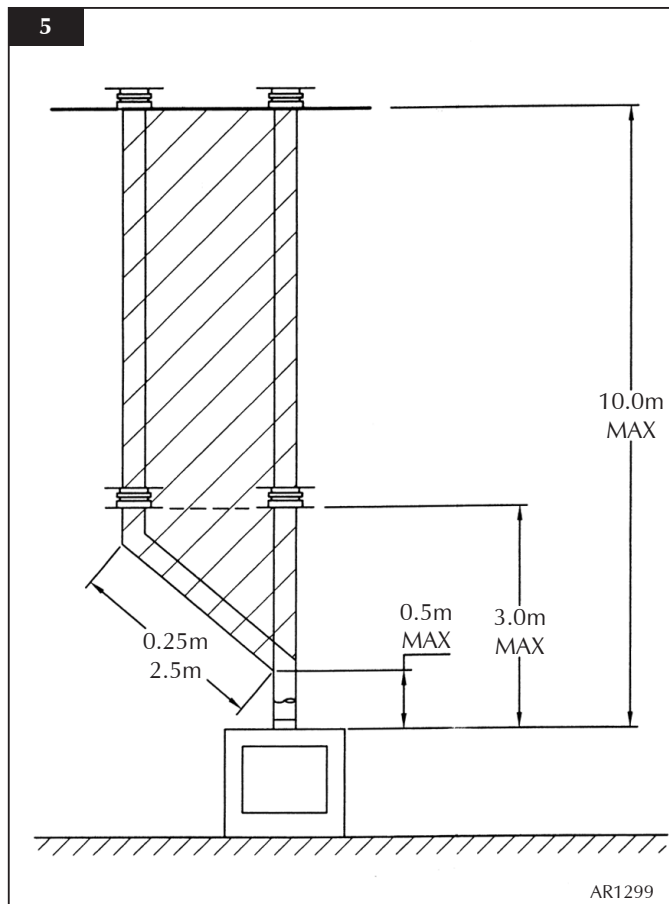
7.1 This flue is vertical from the top of the stove (see Diagram 5). A minimum vertical rise of 3m (9'10") to a maximum of 10m (32'10").

The basic kit comprises:

- 2 x 1m lengths
- 1 x 1m terminal lengths
- 1 x 52mm restrictor (sliding plate assembly)
- 1 x 47mm restrictor (sliding plate assembly)

7.2 Extra lengths can be added (see Diagram 5).

7.3 Refer to *Installation Instructions, Technical Specification* (page 9) to identify when to use a restrictor.



8. OPTIONAL EXTRA FLUE LENGTHS AND BENDS

Nominal Length	Actual Length	Stainless Finish	Anthracite Finish
200mm	140mm	8527	8527AN
500mm	440mm	8528	8528AN
1000mm	940mm	8507	8507AN
45° Bend	N/A	8507	8507AN
90° Bend	N/A	8508	8508AN
Optional Flue Collar		8548MB	

INSTALLATION INSTRUCTIONS

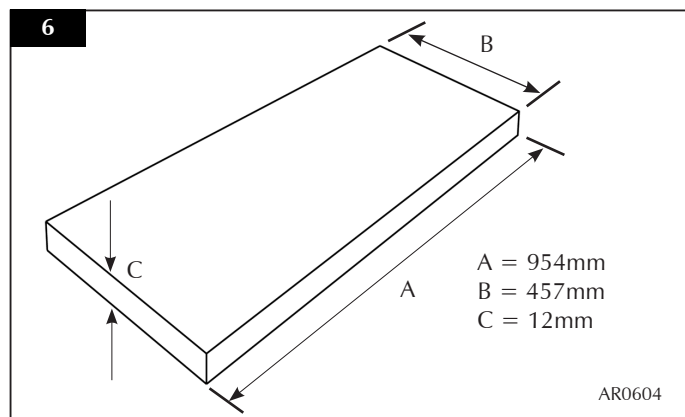
SITE REQUIREMENTS

9. INSTALLATION OF THE GAS SUPPLY

- 9.1 Before installation ensure the stove is compatible with the local gas type and pressure.
- 9.2 Ensure the gas supply delivers the required amount of gas in accordance with the rules in force.
- 9.3 Soft copper tubing and soft soldered joints must be no closer than 50mm to the base of the burner unit.
- 9.4 Ensure there is a means of isolating the gas supply **independent of the stove's controls**.
- 9.5 All gas supply pipes must be purged of any debris before connection to the stove.

10. STOVE LOCATION

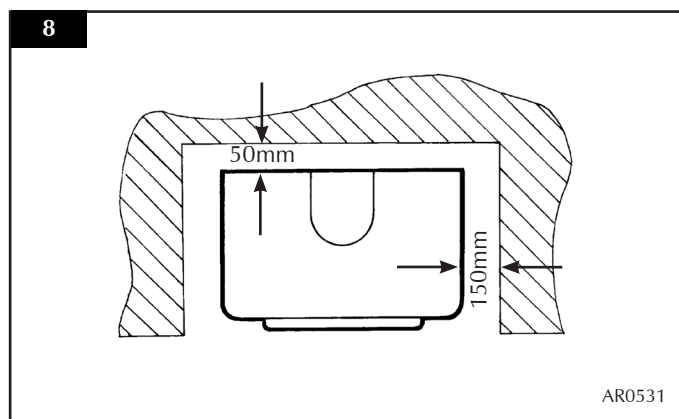
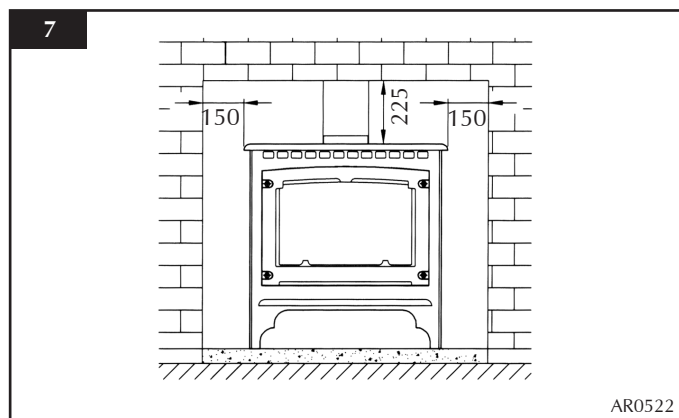
- 10.1 This stove must stand on a non-combustible hearth that is at least 12mm thick and projects 50mm minimum from the base of the stove in all directions (see Diagram 6).



MINIMUM CLEARANCE

- 10.2 The stove is not suitable for installation against a combustible wall. All combustible materials must be removed from behind the stove.

- 10.3 Ensure that all minimum clearances to combustible materials are complied with (see Diagrams 7 and 8).



- 10.4 The above dimensions provide adequate clearance to combustible materials. It may be necessary to add additional clearance so that the controls can be reached and spillage tests performed when necessary.

INSTALLATION INSTRUCTIONS

INSTALLATION

Important: Make sure the stove is adjusted for the gas type and category in its country of use. Refer to the data badge and Technical Specification page. For details of changing between gas types refer to *Replacing Parts, Changing Between Gas Types*.

1. SAFETY PRECAUTIONS

- 1.1 This stove must be installed in accordance with the rules in force. You must read these instructions before installing the stove.
- 1.2 All the instructions must be left intact with the user.
- 1.3 In the interests of your own and other's safety, this stove must be installed by a competent person according to local and national codes of practice. Failure to install the stove correctly could lead to prosecution.
- 1.4 This stove is for use on a governed gas installation and set to the required pressure.
- 1.5 Keep all plastic bags away from young children.
- 1.6 Do not place any object on or near the stove. Leave adequate clearance above the stove (Site Requirements, Stove Location, Diagram 7).

2. CONTROL UPGRADE

- 2.1 The stove is fitted with a control valve that can be upgraded to support a battery powered remote control. Two types of remote control can be obtained through your local Gazco stockist:
- 2.2 This upgrade can be fitted before or after installation, but, if side clearances are limited, it will be easier to upgrade the stove before installation. Full instructions are included with the kit.
- 2.3 The **Standard Remote Control (Gazco Part No. 8455)** controls the gas stove after the pilot is lit so you can regulate the main burner through its range of settings and turn the burner off leaving just the pilot lit.
- 2.4 The **Thermostatic and Timer Remote Control (Gazco Part No. 8456)** controls the stove after the pilot is lit using three modes:
 - Manual Mode – used to turn the burner on and off and regulate it through its range of settings.
 - Auto Mode – used to turn the burner on and off and regulate the heat to a pre-set temperature.
 - Timer Mode – used to turn the burner on and off at two pre-set times and regulate the heat to a pre-set temperature during those periods.

3. INSTALLATION OF THE STOVE

NOTE: THE CAST IRON DOOR IS HEAVY, TAKE GREAT CARE WHEN HANDLING TO AVOID DAMAGING THE OUTER CASING.

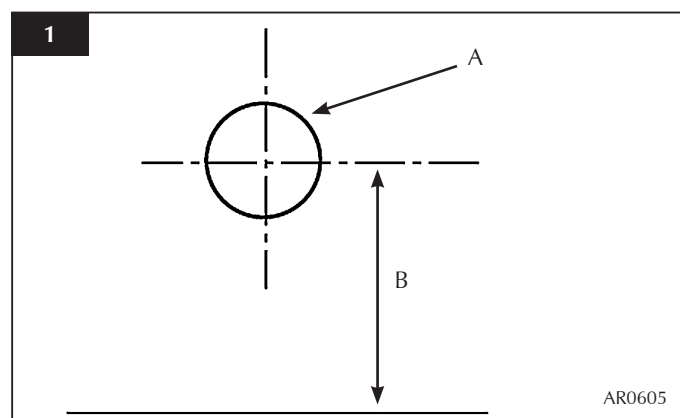
- 3.1 The ceramic logs are located behind the door. To open the door undo the grub screw with the 2mm Hexagon key.
- 3.2 Turn the knob anti-clockwise.
- 3.3 Pull the door open.

REFER TO SITE REQUIREMENTS FOR ALL FLUE OPTIONS.

This stove is suitable for TOP or REAR flue exit.

REAR FLUE EXIT

- 3.4 Wall thickness: MIN = 200mm
 MAX = 550mm
- 3.5 Unpack the adjustable flue assembly and terminal guard.
- 3.6 Do not lose the fixings.
- 3.7 Consider the final stove position ensuring you comply with clearances required for the external flue, see Site Requirements, Section 1.
- 3.8 Mark the vertical centre-line of the stove on the wall (see Diagram 1, A).
- 3.9 Mark the height from the top of the hearth to the centre of the flue (see Diagram 1, B).



TAKE CARE TO MARK OUT THE FLUE CORRECTLY. IT IS DIFFICULT TO MOVE AFTER INSTALLATION.

INSTALLATION INSTRUCTIONS

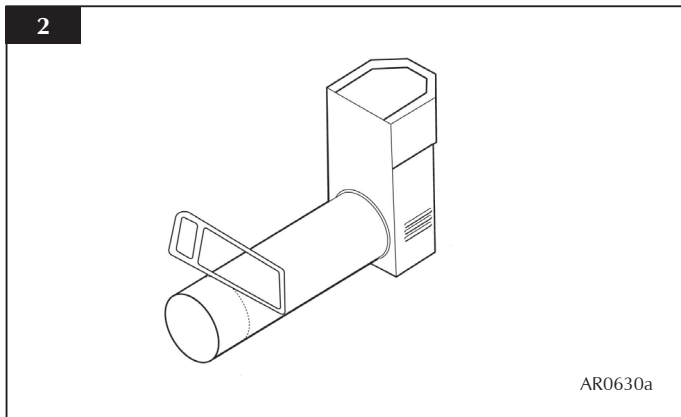
INSTALLATION

Flue Aperture

- 3.10 Create a 152mm (6") diameter hole for the flue using either:
- a core drill, or
 - a hammer and chisel
- 3.11 Make good at both ends of the hole.

Flue Length

- 3.12 Measure the total wall thickness and add 65mm.
- 3.13 The total flue length gives a minimum clearance of 50mm between the rear of the stove and the wall.
- 3.14 Insert the square cardboard sleeve into the flue to support the inner tube.
- 3.15 Cut through the flue and sleeve (see Diagram 2).

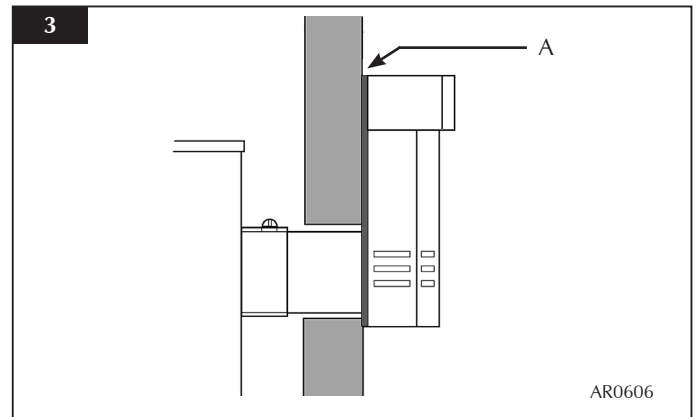


- 3.16 **REMOVE THE CARDBOARD REMNANTS FROM THE FLUE.**
- 3.17 File the cut edges smooth.
Terminal
- On the outside wall:**
- 3.18 Position the flue assembly into the hole. The terminal should be flat against the wall.
- 3.19 Make sure the terminal is vertical (see Diagram 3).
- 3.20 Mark the four fixing holes.
- 3.21 Remove the terminal to drill the holes.
- 3.22 Insert wall plugs supplied.

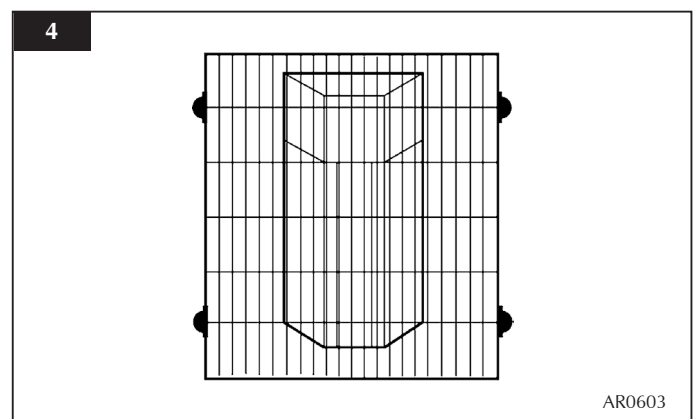
DO NOT FIX THE FLUE AT THIS STAGE.

Flue and Stove Fixings

- 3.23 Position the stove observing appropriate clearances.
- 3.24 Apply a bead of suitable weatherproof sealant (silicone or similar) to perimeter of back face of terminal (see Diagram 3, A).



- 3.25 Feed the flue through the wall, making sure it runs smoothly.
- On the inside wall:**
- 3.26 Engage the flue in the inner and outer spigots.
- 3.27 Make sure rubber seals on the spigots are not damaged
- From outside:**
- 3.28 Insert four screws in the flanges of the flue terminal.
- 3.29 Check sealant has formed a water-tight joint to the wall.
- 3.30 Any terminal less than 2m above any access (level ground, balcony or flat roof with access) must be fitted with the guard supplied (see Diagram 4).



INSTALLATION INSTRUCTIONS

INSTALLATION

TOP EXIT

- 3.31 There are two types of top exit flue terminals: vertical and horizontal (see Site Requirements, Diagram 3, for minimum and maximum flue lengths).

Decorative Cover

- 3.32 There is an optional decorative collar, Gazco Part No: 8548, to cover the gap between the top plate and flue.

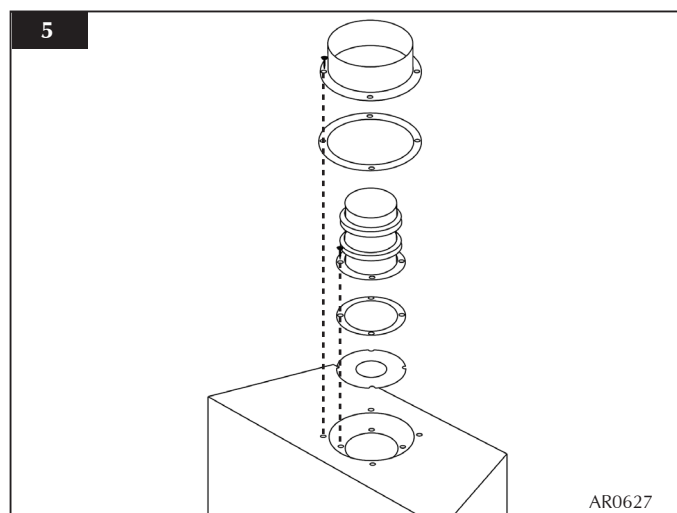
THIS MUST BE POSITIONED BEFORE INSTALLING THE FLUE. WHEN INSTALLING A TOP EXIT FLUE, REFER TO INSTALLATION INSTRUCTIONS, TECHNICAL SPECIFICATION (PAGE 10) FOR THE APPROPRIATE SIZE RESTRICTOR.

Restrictors for flues with both Vertical and Horizontal Sections

Vertical Flue Height from Top of Stove	Horizontal Length	Restrictor Size
500mm - 1490mm	250mm - 1000mm	No Restrictor
1500mm - 3000mm	250mm - 5000mm	75mm \varnothing

Reversing Spigots

- 3.33 The stove is factory set for rear exit. For top exit reverse the spigots and blanking plates (see Diagram 5).



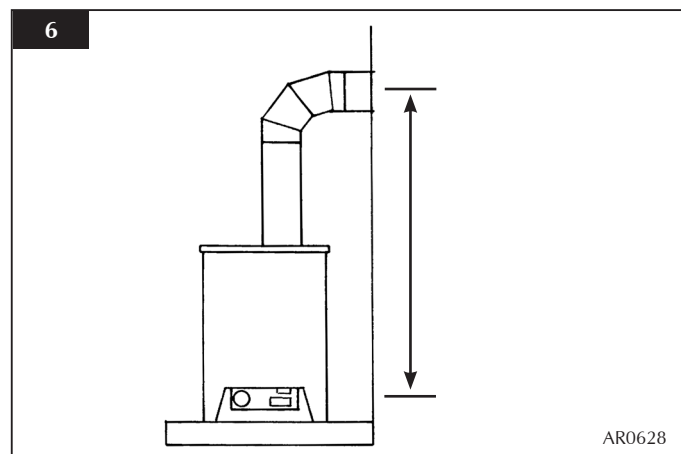
- 3.34 **REMEMBER TO FIT THE OPTIONAL DECORATIVE COLLAR IF REQUIRED.**

Wall Plate

- 3.35 A wall plate is supplied to secure the flue to the inside wall. Bend the securing tab to 90° and slot the plate over the flue before bringing the flue through the wall.
- 3.36 Mark the fixing holes using the wall plate as a template. The tab can be above or beneath the flue (see Diagram 9).

Flue Aperture

- 3.37 Mark the height from the top of the hearth to the centre of the horizontal section (see Diagram 6).



- 3.38 **TAKE CARE TO MARK OUT THE FLUE CORRECTLY. IT IS DIFFICULT TO MOVE AFTER INSTALLATION.**

- 3.39 Create a 152mm (6") diameter hole for the flue using either:
- a core drill, or
 - a hammer and chisel

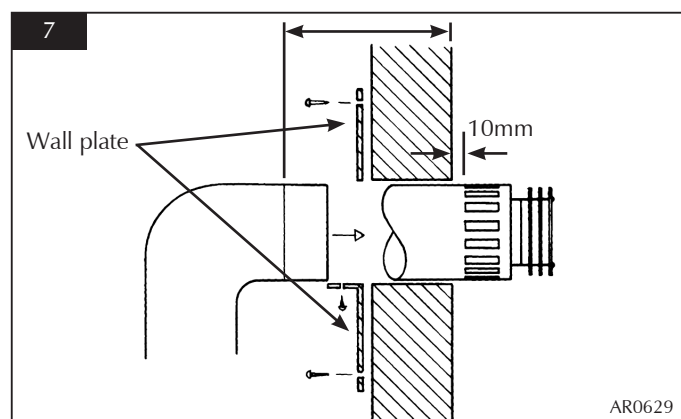
- 3.40 Make good at both ends of the hole.

Flue Length

- 3.41 The final length of the flue pipe includes the terminal. The terminal is the only section that can be shortened.

DO NOT SHORTEN ANY OTHER SECTION OF FLUE PIPE.

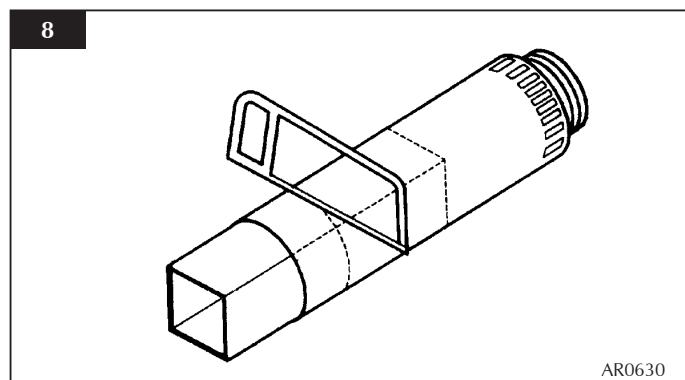
- 3.42 Measure from the outside of the wall to the stop on the 90° elbow.
- 3.43 Fit horizontal flue section between the elbow and the terminal at this stage, if required (see Diagram 7).



INSTALLATION INSTRUCTIONS

INSTALLATION

- 3.44 Mark the correct length all the way around the flue terminal section (see Diagram 8).
- 3.45 Insert the square cardboard sleeve into the flue to support the inner tube.
- 3.46 Cut through the flue and sleeve (see Diagram 8).



- 3.47 **REMOVE THE CARDBOARD REMNANTS FROM THE FLUE.**

- 3.48 File the cut edge smooth.

Flue and Stove Fixings

- 3.49 Pull stove and flue assembly away from the hearth.
- 3.50 Drill four fixing holes for the wall plate and insert wall plugs supplied.
- 3.51 Put the horizontal flue onto the elbow and reposition the stove.
- 3.52 Check the flue runs smoothly through the wall.
- 3.53 Fix the wall plate to the wall using the four black screws provided.
- 3.54 Drill through the fixing tab of the wall plate using a 3.5mm drill.
- 3.55 Secure with the screw provided.
- 3.56 Make good and weatherproof around the outside of the flue.

TOP EXIT – VERTICAL FLUE

- 3.57 Where a vertical only flue system has been purchased, refer to Installation & Instructions, Site Requirements, Section 6.
- 3.58 Pay careful attention to the following:

- Terminal positions
- Flue supports
- Weatherproofing
- Fire precautions

- 3.59 Local and national codes of practice must be followed for all of the above.

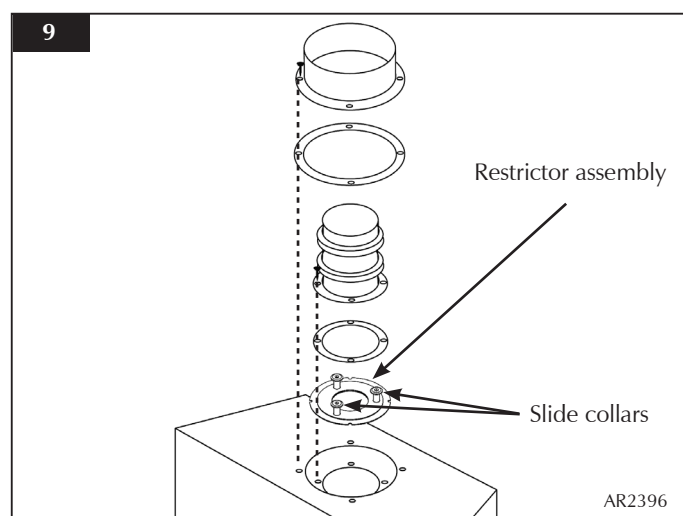
TOP EXIT – VERTICAL ONLY, INCLUDING OFFSET

- 3.60 **A restrictor must be fitted with vertical only flues. See chart below for restrictor sizes.**

PLEASE NOTE: When installing the stove in conjunction with a vertical termination kit, there is a unique kit for use with this appliance (Gazco Part No. 999-539). This kit differs in that it has restrictors with sliding plates. Please ensure you have the correct kit before proceeding with the installation.

Vertical Height from Floor	Restrictor Size
3000mm to 4990mm	52mm ø
5000mm to 10000mm	47mm ø

- 3.61 It is important that the sliding restrictor assembly is used. The restrictor assembly must be fitted with the slide collars uppermost and the top restrictor plate must be checked to ensure it moves freely before the flue is fitted.



INSTALLATION INSTRUCTIONS

INSTALLATION

4. FUEL BED ARRANGEMENT

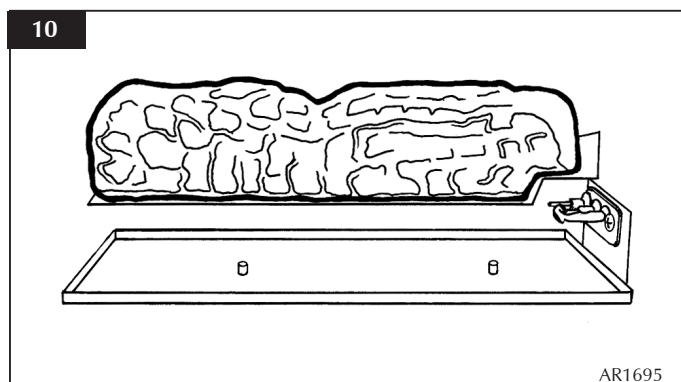
ADVICE ON HANDLING AND DISPOSAL OF FIRE CERAMICS

- 4.1 The fuel effect logs and embers in this stove are made from Refractory Ceramic Fibre (RCF). Protective clothing is not required when handling these articles, but we recommend you follow normal hygiene rules of not smoking, eating or drinking in the work area and always wash your hands before eating or drinking. Excessive exposure to these materials may cause temporary irritation to eyes, skin and respiratory tract; wash hands thoroughly after handling the material.
- 4.2 To ensure that the release of RCF fibres is kept to a minimum a HEPA filtered vacuum is recommended to remove any dust accumulated in and around the stove.
- 4.3 When servicing the stove it is recommended that the replaced items are not broken up, but are sealed into heavy duty polythene bags and labelled as RCF waste. RCF waste is classed as stable, non-reactive, hazardous waste and may be disposed of at a licensed landfill site.

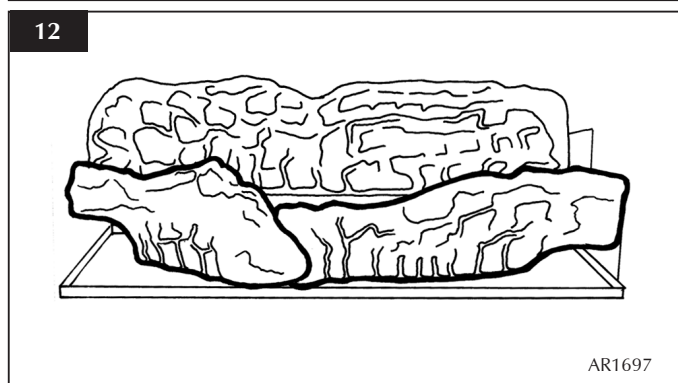
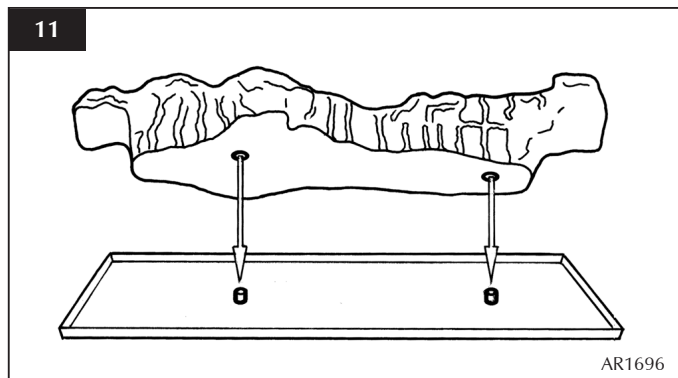
WHEN THE EMBERS ARE PLACED ON THE BURNER IT IS IMPORTANT THEY DO NOT COVER ANY PORTS!

The fuel bed is made up of embers and 6 logs, identifiable by molded letters.

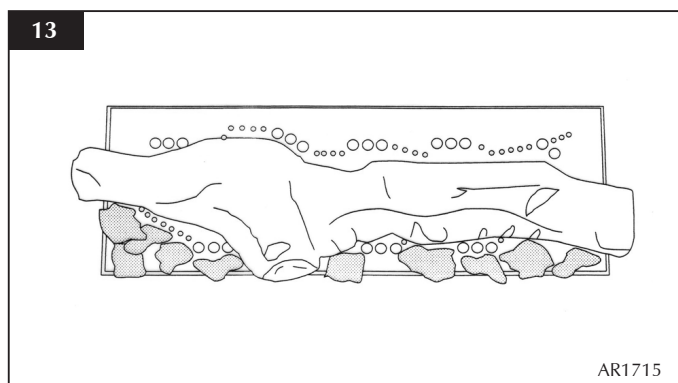
- 4.5 Place Log A on the ledge at the rear of the stove (see Diagram 10).



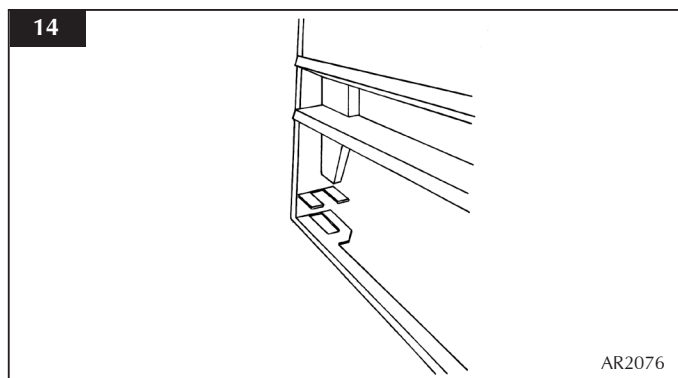
- 4.6 Place Log C onto the two studs on the burner skin (see Diagram 11) with charred effect of the log facing forward (see Diagram 12).



- 4.7 Put the embers on the burner around the positioned logs. **TAKE CARE NOT TO COVER ANY PORTS ON THE BURNER** as shown in Diagram 13.



- 4.8 Place the log retainer in the two guides as shown (see Diagram 14).

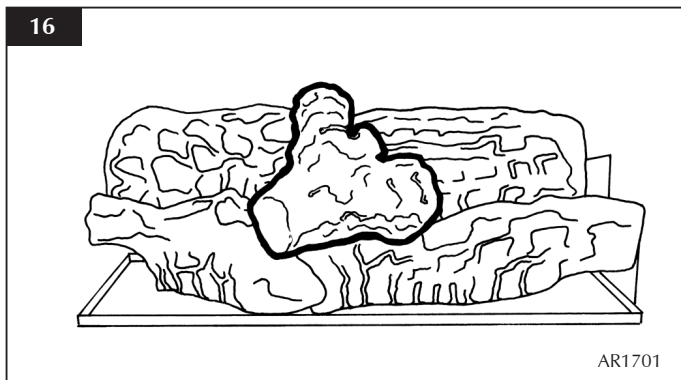
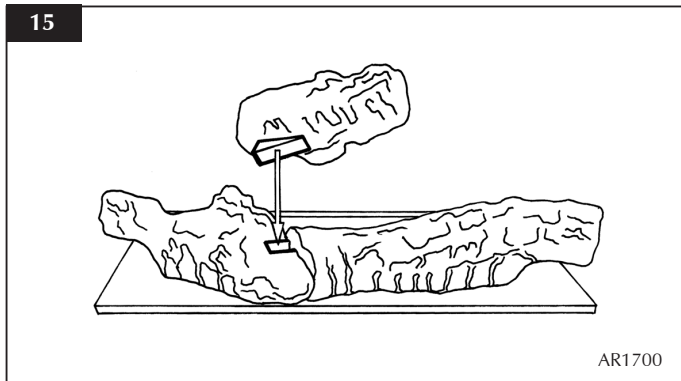


INSTALLATION INSTRUCTIONS

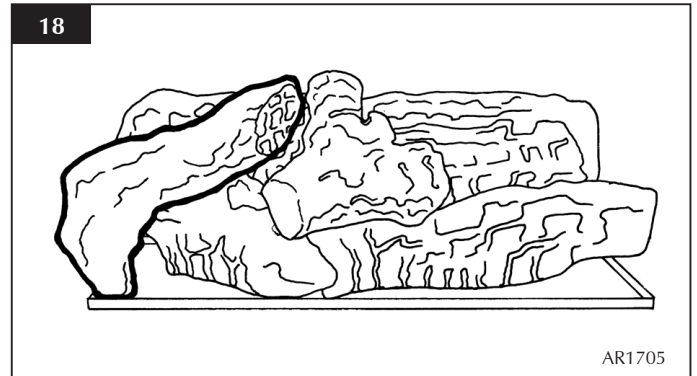
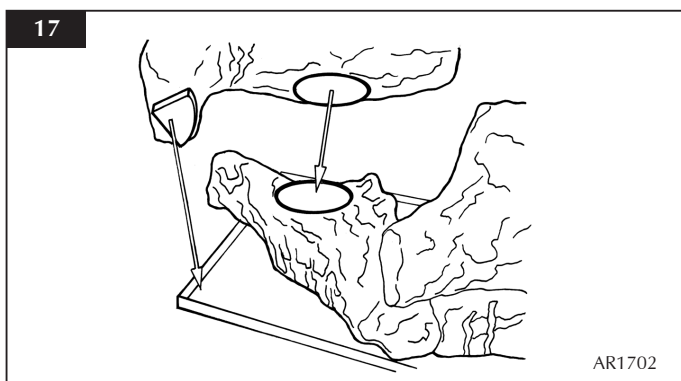
INSTALLATION

FOR CLARITY, THE FOLLOWING LOG ARRANGEMENT DIAGRAMS DO NOT INCLUDE ILLUSTRATION OF THE RETAINER.

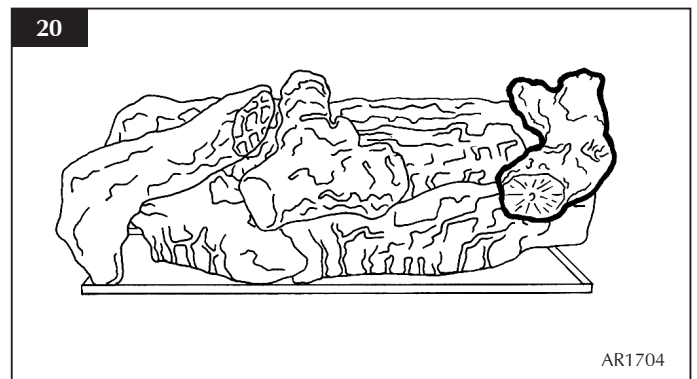
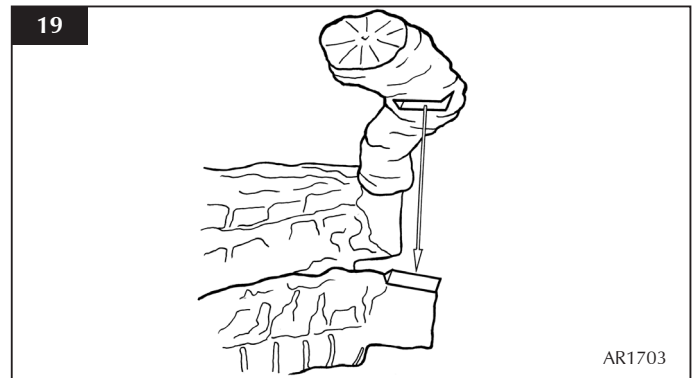
- 4.9 Put Log D so that the back end sits in the groove in the rear of Log A, and the front left rests in the groove in Log C (see Diagrams 15 and 16).



- 4.10 Position Log B so that the underneath rests in the groove of Log C (see Diagram 17) and the end is in the corner of the burner (see Diagram 18).



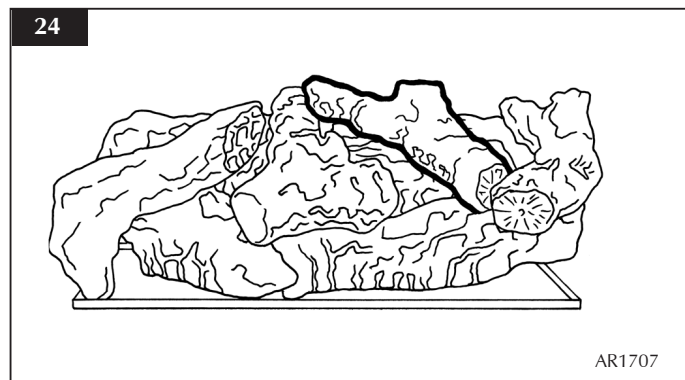
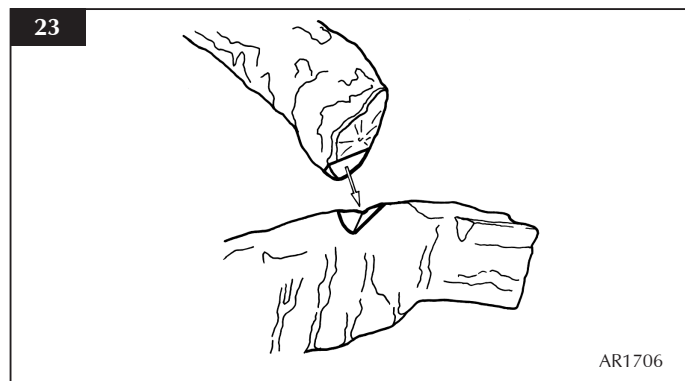
- 4.11 Put the groove underneath Log F onto Log C (see Diagram 19) so that Log F is parallel to the side of the firebox (see Diagram 20).



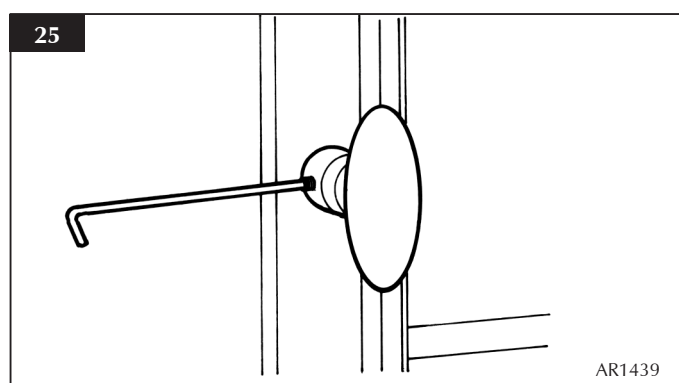
INSTALLATION INSTRUCTIONS

INSTALLATION / COMMISSIONING

- 4.12 Place Log E into the groove between Log F and Log D (see Diagram 21) so that it rests across logs A and D (see Diagram 22).



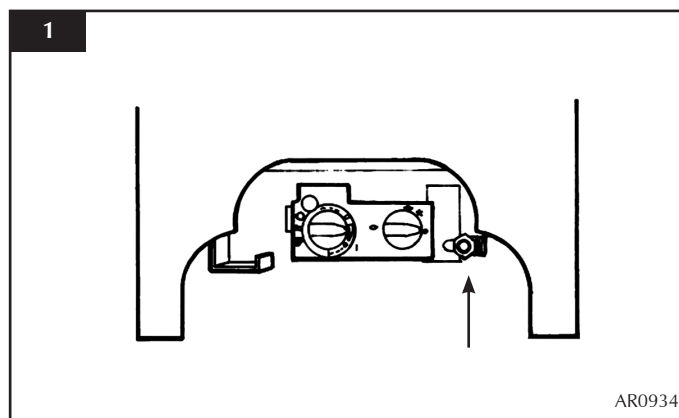
- 4.13 Close the door and tighten the grub screw with the Hexagon key (see Diagram 25).



1. COMMISSIONING

After connecting the gas pipe to the stove:

- 1.1 PURGE THE SUPPLY PIPE to dispel any debris that might block the controls.
- 1.2 Connect the gas supply to the 8mm compression elbow at the right-hand rear corner of the stove (see Diagram 1).



- 1.3 Connect a suitable pressure gauge to the test point on the inlet fitting.
- 1.4 Turn on the gas supply.
- 1.5 Light the stove and check all gas joints for leaks.
- 1.6 Turn the stove to maximum to check the supply pressure corresponds with the data badge information.
- 1.7 Turn the gas off.
- 1.8 Replace the test point screw.
- 1.9 Turn the gas on.
- 1.10 Check the test point for leaks.

To finish commissioning:

- 1.11 Check the stove complies with all local regulations.
- 1.12 Check all seals are in good condition.
- 1.13 Complete the *Appliance Commissioning Checklist* on page 3.
- 1.14 Show the user how to operate the stove.
- 1.15 Hand the completed instructions to the User for safe keeping. The information is required when making any guarantee claims.

SERVICING INSTRUCTIONS

SERVICING / FAULT FINDING CHARTS

1. SERVICING REQUIREMENTS

IMPORTANT – The glass panel on this appliance should be checked for any signs of damage on the front face of the glass panel (scratches, scores, cracks or other surface defects). If damage is observed, the glass panel must be replaced and the appliance must not be used under any circumstances until a replacement is installed. Please isolate the appliance until a replacement glass panel has been obtained and installed. Replacement glass panels can be purchased from Gazco via the retailer from which the appliance was purchased or any other Gazco distributor.

You must be competent to service this stove.

You must follow the current Gas Safe Guidelines to achieve best practice results in all tests.

1.1 Before Testing:

- Conduct a gas soundness test for the property ensuring there are no leaks before servicing.
- Check the operation of the stove before testing.

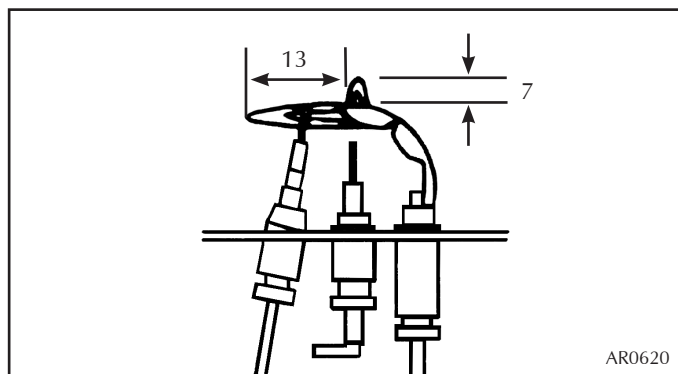
1.2 Special checks:

- Clean away lint or fluff from the pilot.
- Clean away lint or fluff from under the burner.
- Check the spark gap on the pilot is correct (see Diagram 1).
- Check all screws that secure the burner skin and tighten if they are loose.

1.3 Correct any faults found during the initial test.

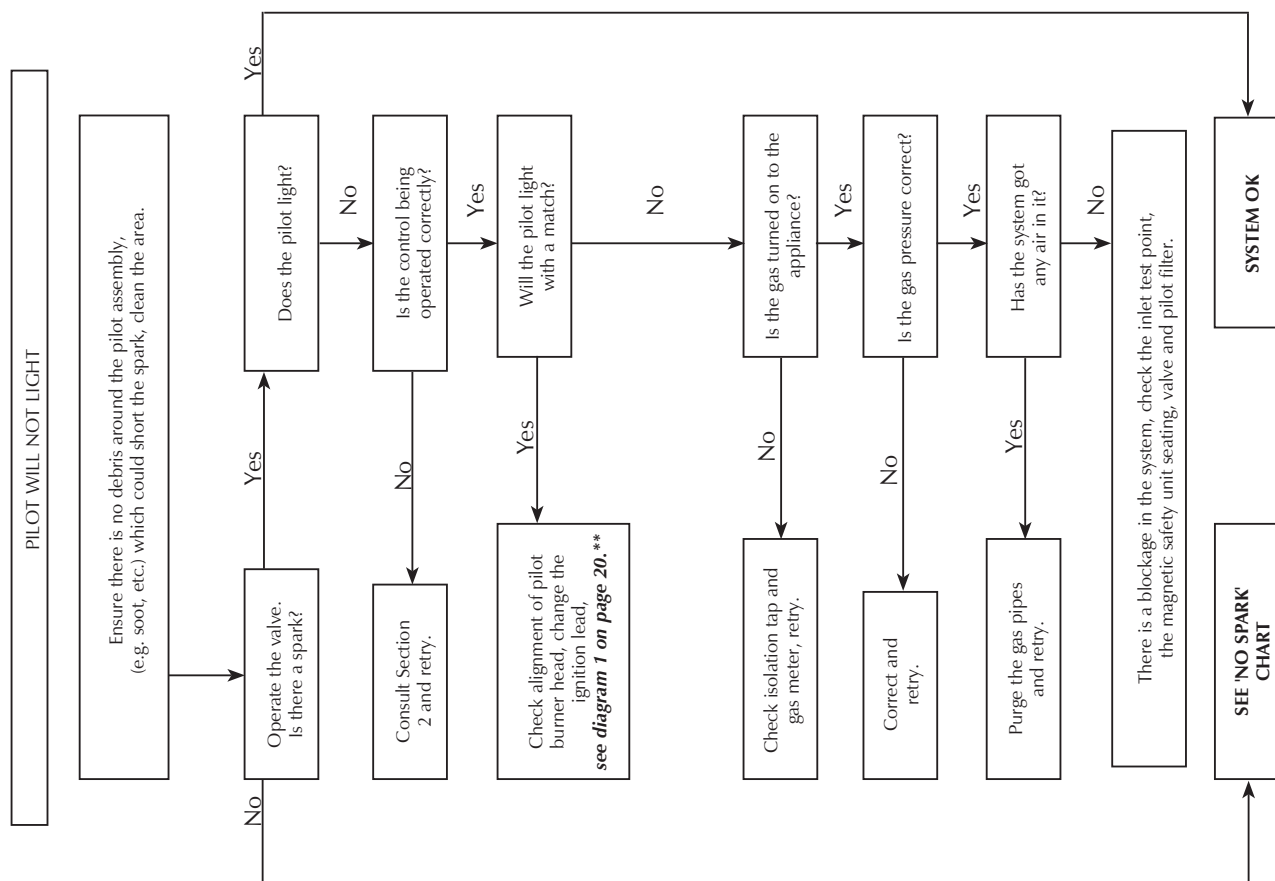
1.4 Re-commission the stove, conducting the usual safety checks.

1.5 Advise the customer of any remedial work undertaken.



AR0620

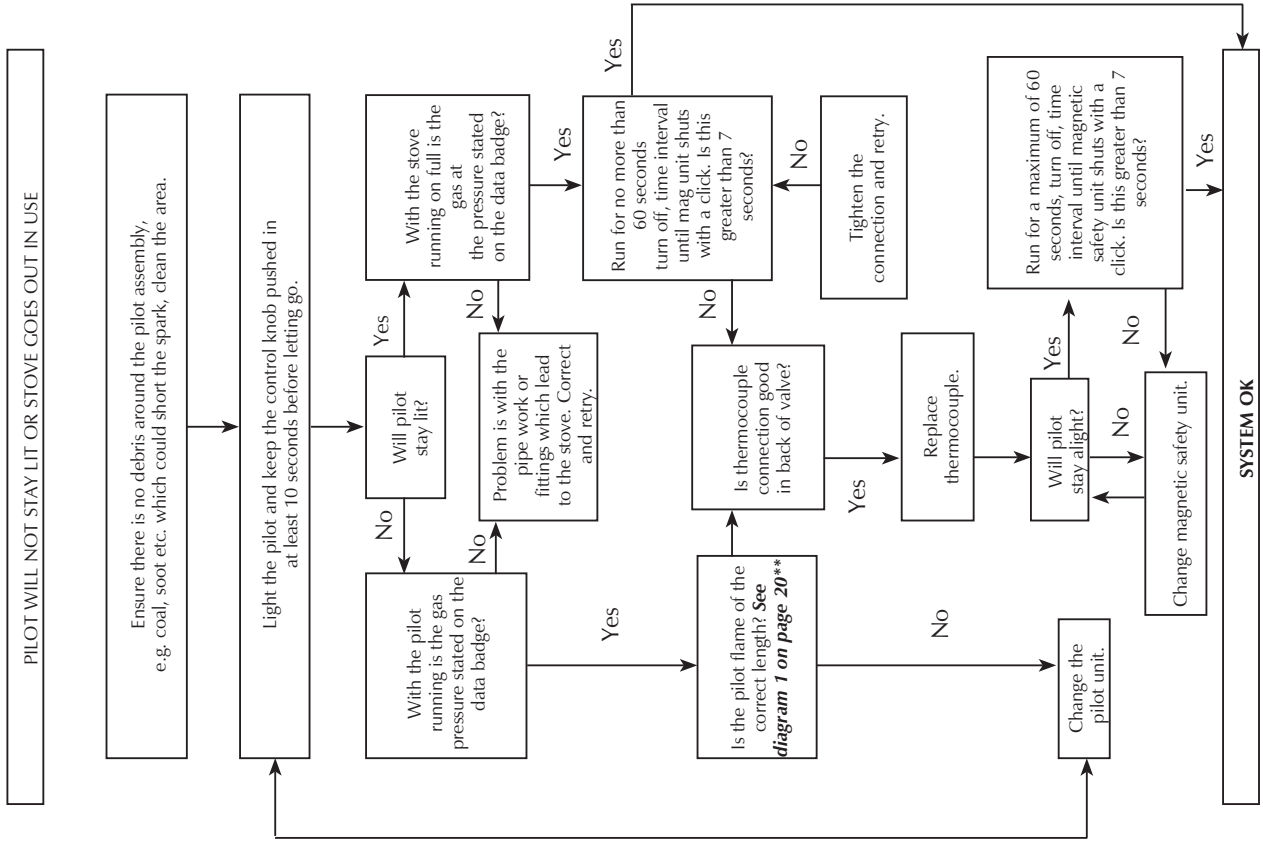
IGNITION FUNCTIONAL CHECK 1



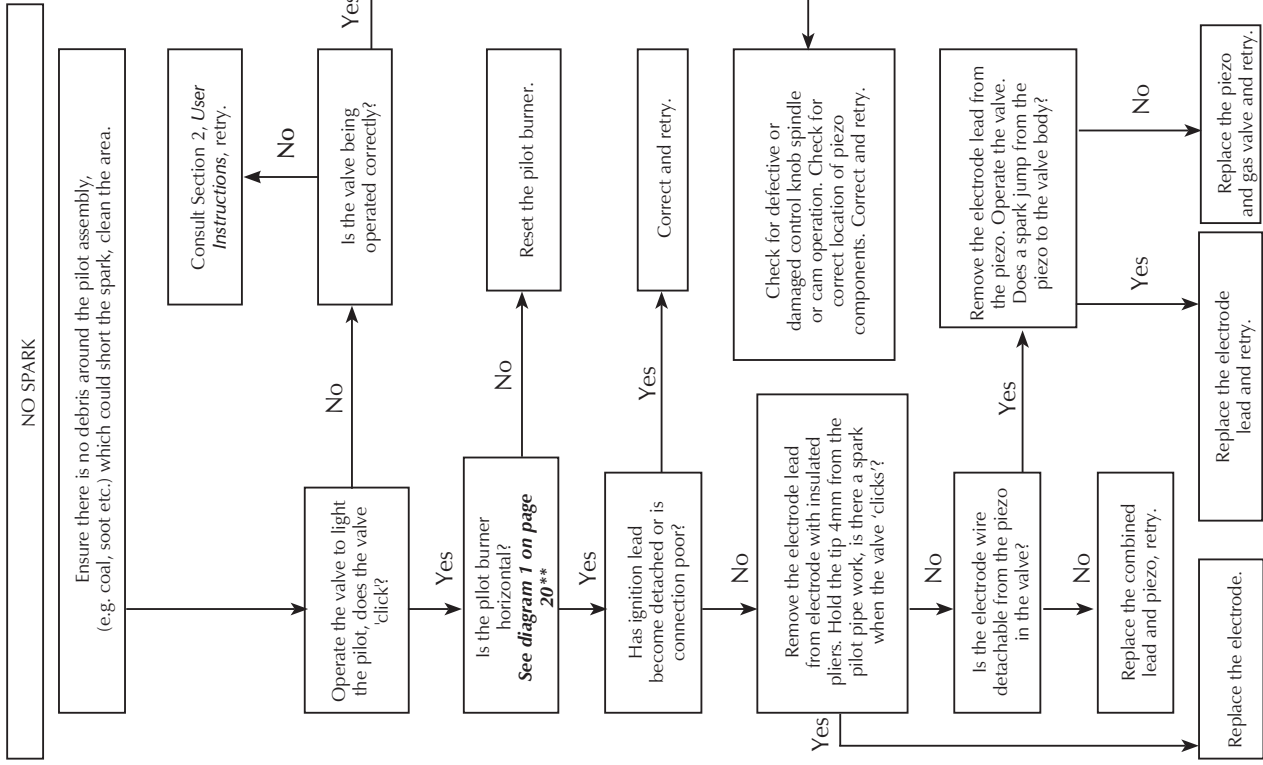
SERVICING INSTRUCTIONS

FAULT FINDING CHARTS

FLAME FAILURE FUNCTIONAL CHECK



IGNITION FUNCTIONAL CHECK 2



SERVICING INSTRUCTIONS

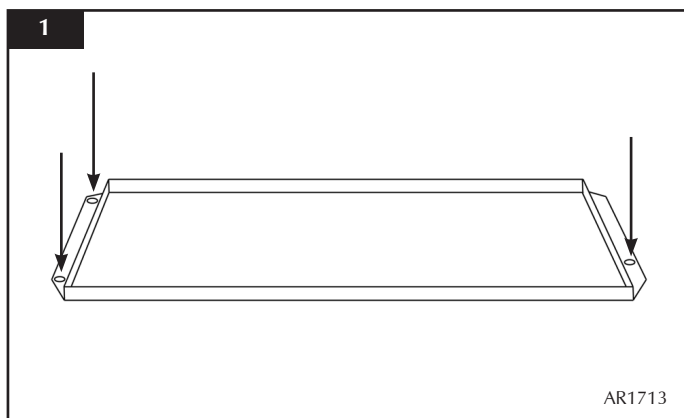
REPLACING PARTS

1. GENERAL

- 1.1 All main components can be replaced with the stove in place but it is essential to turn off the gas supply at the isolation device before proceeding. For information on the handling and disposal of fire ceramics please refer to *User Instructions, Section 5, Cleaning the Stove*.
- 1.2 Replace seals if the flue is to be removed.

2. MAIN BURNER

- 2.1 Turn off the gas supply at the isolation device and open the stove door.
- 2.2 To remove the burner carefully remove the ceramic components and put to one side.
- 2.3 Remove the log retaining bar.
- 2.4 Take out the three screws holding the burner in place (see Diagram 1).
- 2.5 Raise the left side of the burner to clear the bracket.
- 2.6 Move the left-hand side of the burner forward.
- 2.7 The burner venturi is engaged over the injector, make sure you clear the injector when removing the burner.
- 2.8 **Do not damage the pilot burner** (see Diagram 1).

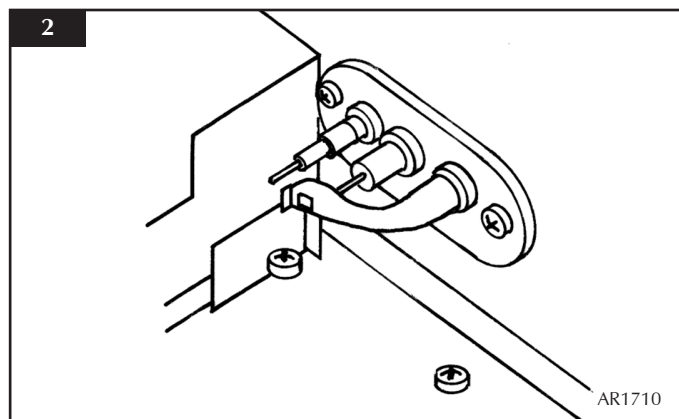


- 2.9 To replace the burner lower the right-hand side over the injector.
- 2.10 Lower the left side down.
- 2.11 Insert the three fixing screws and tighten.

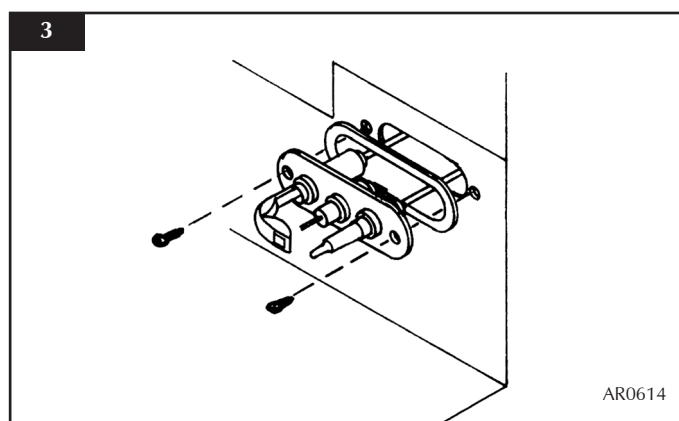
NOTE: Before replacing the burner, make sure the silicone seal around the injector is intact.

3. PILOT UNIT

- 3.1 The pilot assembly has five components that can be replaced:
 - Pilot burner bracket
 - Pilot injector
 - Electrode
 - Thermocouple
 - Gasket
- 3.2 Turn off the gas supply at the isolation device.
- 3.3 Remove the burner following *Section 2*.
- 3.4 Remove the rear baffle.



- 3.5 Remove the two fixing screws from the pilot burner bracket (see Diagram 3).



- 3.6 Carefully draw the pilot assembly away from the firebox. You now have access to the nuts and ignition lead.

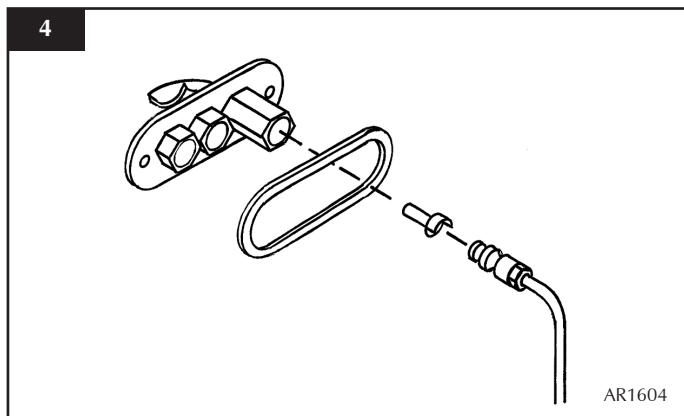
NOTE: Take care not to damage the gasket.

SERVICING INSTRUCTIONS

REPLACING PARTS

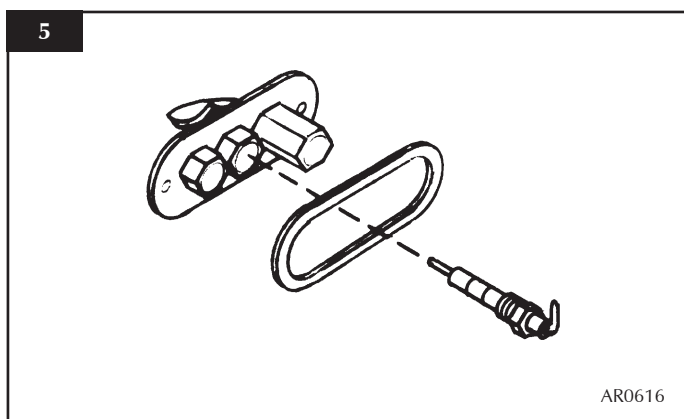
Pilot Injector

- 3.7 Undo the compression nut on the pilot feed pipe.
- 3.8 Extract the injector which is hooked onto the olive.
- 3.9 Make sure the new injector is hooked onto the olive before inserting into the pilot burner.



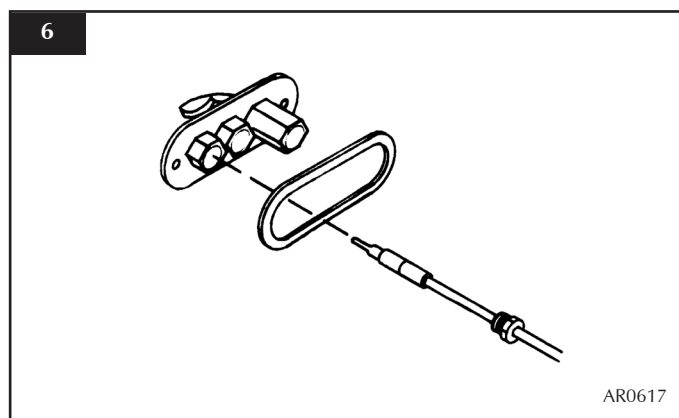
Electrode

- 3.10 Disconnect the ignition lead.
- 3.11 Undo the retaining nut.
- 3.12 Remove the electrode, taking note of its orientation for re-assembly (see Diagram 5).

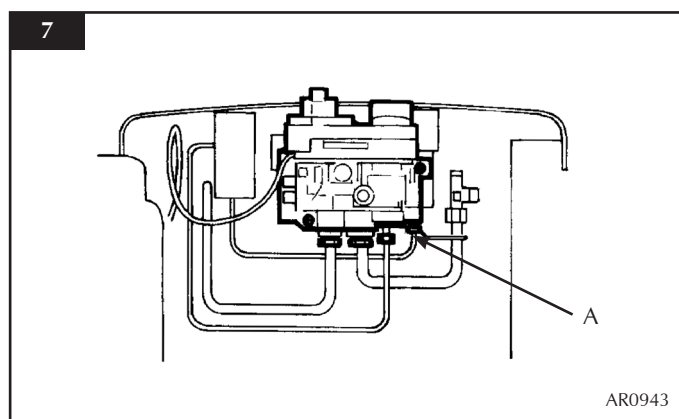


Thermocouple

- 3.13 Undo the retaining nut.
- 3.14 Extract the thermocouple (see Diagram 6).



- 3.15 Undo the thermocouple at the gas valve end (see Diagram 7, A).



- 3.16 Re-assemble in reverse order.
- 3.17 Do not over-tighten.

Gasket

- 3.18 Disconnect the four components outlined above.
- 3.19 Extract gasket.

NOTE: Always replace the gasket first when re-assembling the pilot components.

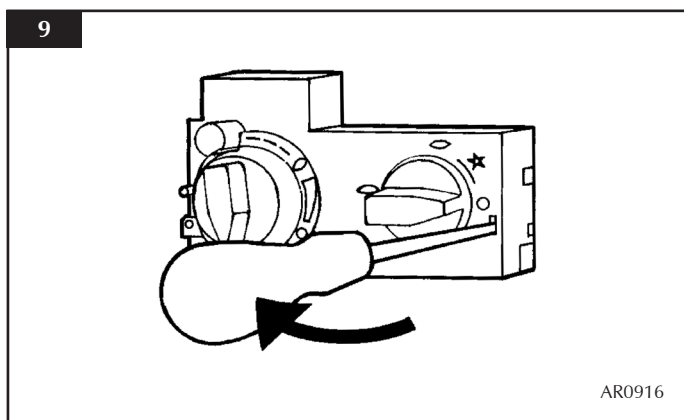
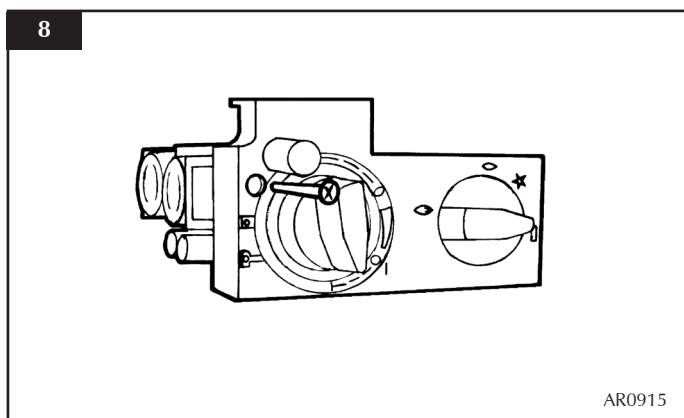
- 3.20 Check the pilot flame length.

SERVICING INSTRUCTIONS

REPLACING PARTS

4. IGNITION LEAD

- 4.1 To access the back of the pilot assembly, see *Section 3* above.
- 4.2 Disconnect the ignition lead from the electrode.
- 4.3 Remove the front cover from the control valve (see Diagrams 8 and 9).



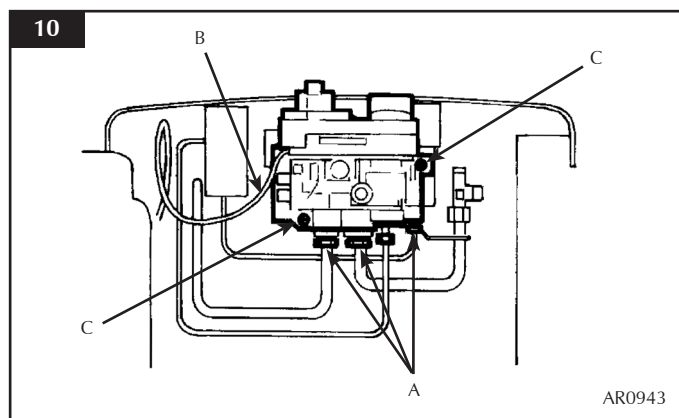
- 4.4 Disconnect the other end of the ignition lead from the gas valve, taking note of its orientation for re-assembly.
- 4.5 Replace with a new lead following the same route.
- 4.6 Check operation of new ignition lead.

5. PIEZO

- 5.1 The piezo assembly used on this stove is not serviceable and is not likely to fail.

6. GAS VALVE

- 6.1 To remove the cover undo the single screw that secures the left side of the control cover (see Diagram 8).
- 6.2 Insert a narrow-blade screwdriver into the slot to release the right side of the cover (see Diagram 9).
- 6.3 When the cover is removed, there is a small cylindrical metal spacer to be kept and replaced on the fixing screw on re-assembly, unless the control has been upgraded to remote control.
- 6.4 To remove the valve turn off the gas supply at the isolation device.
- 6.5 Disconnect the 2 x 8mm and 1 x 4mm gas pipes at the back of the gas valve (see Diagram 10, A, also refer to *Section 4*).
- 6.6 Disconnect the ignition lead (see Diagram 10, B).
- 6.7 Undo the two bolts securing the gas valve to the stove and remove the valve (see Diagram 10, C).
- 6.8 Replace in reverse order.
- 6.9 Check all joints for gas leaks.
- 6.10 Check operation of thermocouple and ignition lead.



SERVICING INSTRUCTIONS

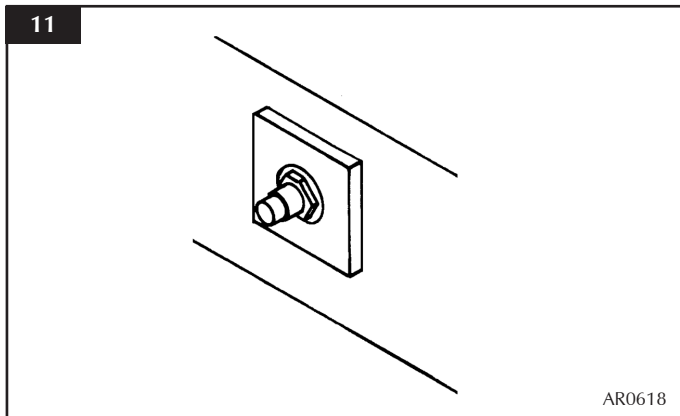
REPLACING PARTS

7. MAGNETIC SAFETY VALVE

- 7.1 To take out the magnetic safety valve remove the thermocouple lead from the valve.
- 7.2 Supporting the valve, unscrew the magnetic valve retaining nut and gently remove the safety valve.
- 7.3 Replace with a new unit.
- 7.4 Replace and tighten the retaining nut and thermocouple.
- 7.5 Carry out a leak test to ensure retaining nut is sealed.

8. MAIN INJECTOR

- 8.1 To remove the main injector turn off the gas supply at the isolation device.
- 8.2 Remove the main burner (refer to *Section 3* above).
- 8.3 Undo the compression nut from the feed pipe at the gas control under the stove.
- 8.4 Working from inside the firebox remove the lock nut from the injector (see Diagram 11).

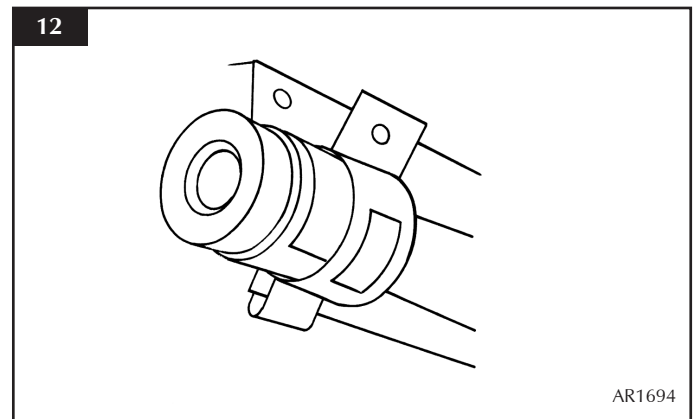


- 8.5 Extract the injector with the feed pipe from beneath the stove.
- 8.6 Holding the injector with a spanner:
- 8.7 Undo the feed pipe. **Note the orientation of the Injector.**
- 8.8 Re-assemble in reverse order.
- 8.9 Turn on the gas supply and check for leaks.

9. PRIMARY AERATION PLATE

NOTE: Not all models have aeration plates. Please refer to the *Technical Specification*.

- 9.1 To replace the primary aeration plate turn off the gas supply at the isolation device.
- 9.2 Remove the burner, as described in *Installation Instructions, Replacing Parts, Section 2*.
- 9.3 Detach the aeration plate from the venturi (see Diagram 12).



- 9.4 Reassemble in reverse order.

NOTE: Even if no aeration plate is required, the small screw must be replaced.

10. CHANGING BETWEEN GAS TYPES

In order to change between gas types you must change the following items:

- Pilot Injector
- Control Valve **
- Main Injector
- Main Burner
- Aeration Plate
- Data Badge

****NOTE: THE CONTROL VALVE IS FACTORY-SET FOR THE CORRECT GAS TYPE AND MODEL. A NEW UNIT WILL NEED TO BE ORDERED WHEN CHANGING BETWEEN GAS TYPES.**

SERVICING INSTRUCTIONS

SPARE PARTS

11. SHORT SPARES LIST

COMPONENT	NG	LPG	
	G20	G30	G31
	20mbar	29mbar	37mbar
BURNER UNIT	GZ5501	GZ5510	
AERATION PLATE	GZ3869	-	GZ3869
MAIN INJECTOR	IN0060	IN0054	
PILOT INJECTOR	PI0026	P10015	
THERMOCOUPLE	PI0011		
MAGNETIC UNIT	GC0092		
ELECTRODE	PI0053		
PILOT GASKET	PI0052		
GAS VALVE	GC0088K **		
IGNITION LEAD	GC0090		
LOG SET	CE0565		

**Note: The control valve is factory preset for correct gas type and model.

SERVICE RECORDS

1ST SERVICE

Date of Service:
Next Service due:
Signed:
Dealer's Stamp/Gas Safe Registration Number

2ND SERVICE

Date of Service:
Next Service due:
Signed:
Dealer's Stamp/Gas Safe Registration Number

3RD SERVICE

Date of Service:
Next Service due:
Signed:
Dealer's Stamp/Gas Safe Registration Number

4TH SERVICE

Date of Service:
Next Service due:
Signed:
Dealer's Stamp/Gas Safe Registration Number

5TH SERVICE

Date of Service:
Next Service due:
Signed:
Dealer's Stamp/Gas Safe Registration Number

6TH SERVICE

Date of Service:
Next Service due:
Signed:
Dealer's Stamp/Gas Safe Registration Number

7TH SERVICE

Date of Service:
Next Service due:
Signed:
Dealer's Stamp/Gas Safe Registration Number

8TH SERVICE

Date of Service:
Next Service due:
Signed:
Dealer's Stamp/Gas Safe Registration Number

9TH SERVICE

Date of Service:
Next Service due:
Signed:
Dealer's Stamp/Gas Safe Registration Number

10TH SERVICE

Date of Service:
Next Service due:
Signed:
Dealer's Stamp/Gas Safe Registration Number

Gazco Limited, Osprey Road, Sowton Industrial Estate, Exeter, Devon, England EX2 7JG
Tel: (01392) 261999 Fax: (01392) 444148 E-mail: info@gazco.com

A member of the Stovax Group