

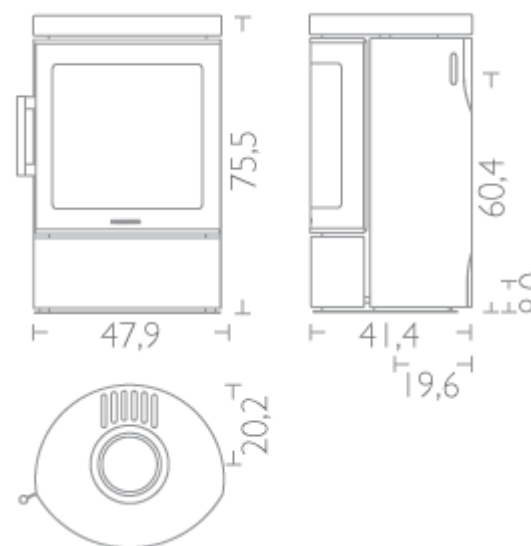


**R W KNIGHT & SON**  
1974 **40** 2014

### Hwam 3310

The design of this elliptical stove series originates in pure Scandinavian lines and simple forms that make the HWAM 3100 series more than just stoves. They are also attractive items of furniture that will adorn and warm any home. Hung on the wall, it has a discreet expression and is particularly easy to clean.

- Body material - Steel
- Rated Output - 5 kW
- Airwash - Yes
- Cleanburn - Yes
- Approved for smoke controlled areas - Yes
- Room vent required - Yes
- Flue connection - 150mm
- Maximum log length - 300mm
- Woodburning (no grate) - No
- Multifuel - Yes
- External riddling - Yes
- Direct air supply - Yes
- Minimum Hearth Thickness - 12mm
- Painted colour options - Yes
- Weight - 108 kg



Castle Farm, Marshfield, Chippenham Wilts, SN14 8HU.

☎ 01225 891469